

# Electrification of Transportation Interconnect Solution



**Global Design Mindset**

**Global Production Expansion**

## INDEX

---

### V-inline

V-inline 80A metal 3 poles .....	1
V-inline 300A metal 2 poles .....	2

### V-Loc

V-Loc™ High Voltage Connector Series Advantage: .....	3
ADL200 SERIES .....	4-8
ADL300 SERIES .....	9-13
ADL500 SERIES .....	14-18
ADL40 SERIES .....	19-21
ADL60 SERIES .....	22-24

### V-Max

ADES 10.3mm .....	25-26
ADES 8mm .....	27-28
ADES 6mm .....	29-30
ADES Energy Storage Connector Ordering Code .....	31
ADES Connector Assembly .....	32-33
ADFTC Bolt Terminal .....	34-35
ADFTC Type C Terminal .....	36-37
ADFTD Plastic HV junction box .....	38-39
ADFTD Metal HV Junction Box .....	40-41
ADECT Plastic Type A Through-hole Connector .....	42-44
ADECT Metal Type A Through-hole Connector .....	45-46
ADECT Metal Type B Through-hole Connector .....	47
ADECT Metal Type A 3 Poles Through-hole Connector .....	48
ADEHV .....	49-59
ADEHP .....	60-61

### V-Swap

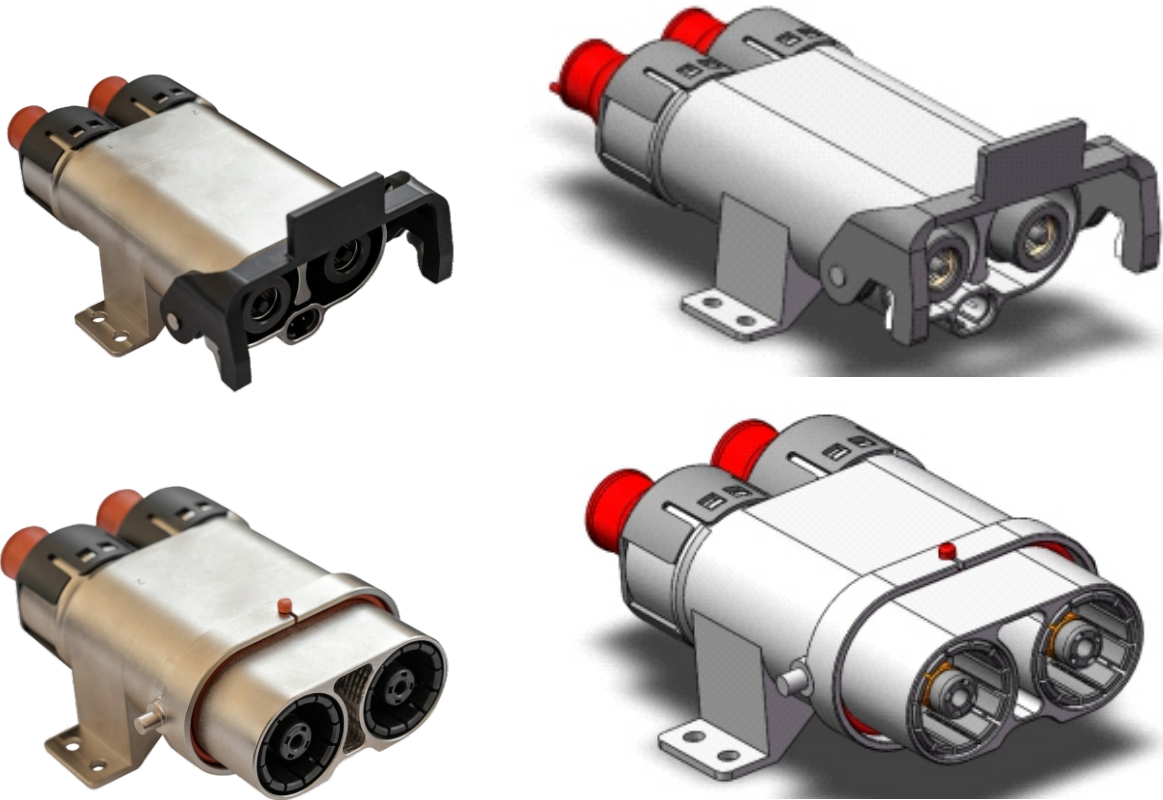
Battery swap connector .....	62-67
------------------------------	-------

V-inline 80A metal 3 poles



Technical Specification	
Mating cycle	≥ 100
Cable size	6AWG
Rated current	80A
Rated voltage	1000V DC
Withstand voltage	4000V AC( power pin)
Insulation resistance	≥1000MΩ(DC500V)
Salt spray	96 hours
IP rating	IP67(mated)
Operation temperature	-40°C to +125°C
Terminal	Copper alloy, silver plating
Housing	Al Alloy
Flammability	UL94V0
EMI	Yes
HVIL	Yes

V-inline 300A metal 2 poles



Technical Specification	
Mating cycle	≥ 100
Cable size	2AWG
Rated current	300A
Rated voltage	1000V DC
Withstand voltage	4000V AC( power pin)
Insulation resistance	≥1000MΩ(DC500V)
Salt spray	96 hours
IP rating	IP67(mated)
Operation temperature	-40°C to +125°C
Terminal	Copper alloy, silver plating
Housing	Al Alloy
Flammability	UL94V0
EMI	Yes
HVIL	Yes



**V-Loc™ High Voltage Connector Series Advantage:**  
**IP68 rated ( 1 meter, 48hours)**  
**Secondary locking latch**  
**Double-sided HVIL for higher reliability**  
**Salt spray up to 500hours**  
**Optional thermistor integration for temperature monitor**



**ADL SERIES TECHNICAL DATA**

Item	ADL200 Series	ADL300 Series	ADL500 Series	ADL40 Series 3PIN	ADL40 Series 4PIN	ADL60 Series 2PIN
Temperature Range	-40°C to +125°C					
Protection	IP68 & IP6K9K					
Housing Body	Zinc alloy , Die-cast					
Mating Force	75N Max.					
Insulation Inserts	Thermoplastic , UL 94-V0					
Contacts	copper alloy					
Seals	Rubber					
Max. Current	200A Max.	300A Max.	500A Max.	40A Max.	40A Max.	60A Max.
Terminal connecting resistance	≤0.6 mΩ					
Test Voltage	5000V DC					
Minimum Mating Cycles	No electrical or mechanical defects after more than 100 cycles of engagement and disengagement.					
Salt Spray Resistance	48hour					
Shielded	Yes					
HVIL	Yes					
Dielectric strength	Leakage current(DC)≤1 mA ; Leakage current(AC)≤5 mA					
Vibration Resistance	No unlocking or unmating and exhibits no mechanical or physical damage after sinusoidal vibration levels of 10G's at 10 to 1000 Hz in each of the three mutually perpendicular planes. Connection resistance changes continuously greater than 7Ω's time less than 1 microsecond.					
Thermal Shock	No cracking, chipping or leaking after 20 test cycles from -40°C to +125°C.					
RoHS Compliant	Yes					

**PRODUCT APPLICATION**

Item	ADL200 Series	ADL300 Series	ADL500 Series	ADL40 Series 3PIN	ADL40 Series 4PIN	ADL60 Series 2PIN
AUTOMOTIVE	•	•	•	•	•	•
TRUCKS	•	•	•	•	•	•
BUS	•	•	•	•	•	•
AGRICULTURAL MACHINES	•	•	•	•	•	•
CONSTRUCTION MACHINES	•	•	•	•	•	•

**TESTING STANDARD REFERENCE**

Item	ADL200 Series	ADL300 Series	ADL500 Series	ADL40 Series 3PIN	ADL40 Series 4PIN	ADL60 Series 2PIN
LV215-1-2013	•	•	•	•	•	•
GB/T 11918.1-2014	•	•	•	•	•	•
QC/T 1067.1-2017	•	•	•	•	•	•

## RECEPTACLE

Item	180 Degree Busbar Lug	180 Degree Busbar Lug	180 Degree Busbar Lug	90 Degree Busbar Lug
Pictures				
Product Number No HVIL	ADL00(*)-200-10M(&)	ADL00(*)-200-10D(&)	ADL00(*)-200-10H(&)	ADL00(*)-200-90M(&)
TProduct Number With HVIL	ADL00(*)-201-10M(&)	ADL00(*)-201-10D(&)	ADL00(*)-201-10H(&)	ADL00(*)-201-90M(&)

Item	Thread Pin	Tubular Lug	2 PIN Receptacle	3 PIN Receptacle
Pictures				
Product Number No HVIL	ADL00(*)-200-20M(&)	ADL00(*)-200-30C(&)	ADL20(*)-200-10M(&)	ADL30(*)-200-10M(&)
Product Number With HVIL	N/A	N/A	ADL20(*)-201-10M(&)	ADL30(*)-201-10M(&)

**NOTES:**

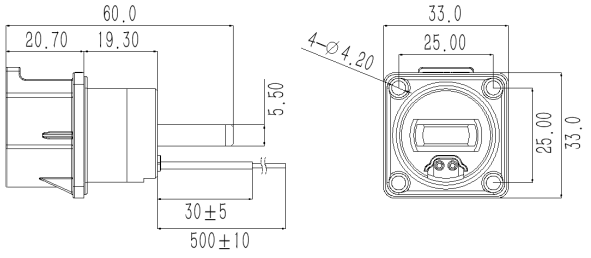
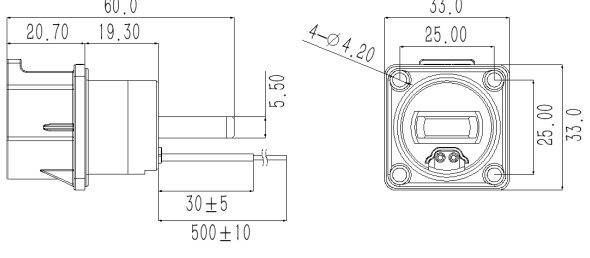
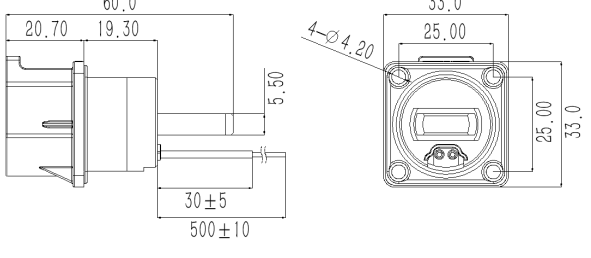
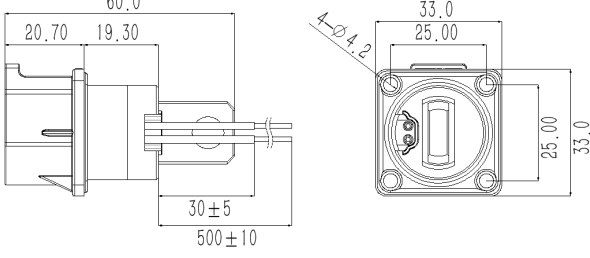
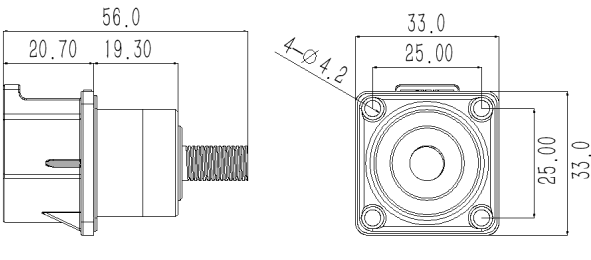
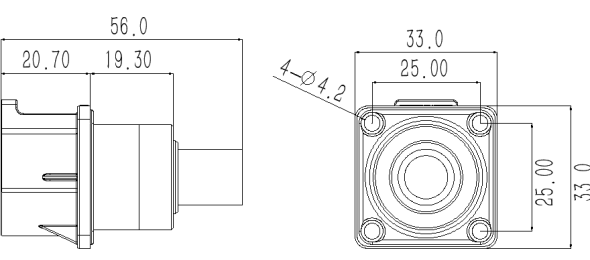
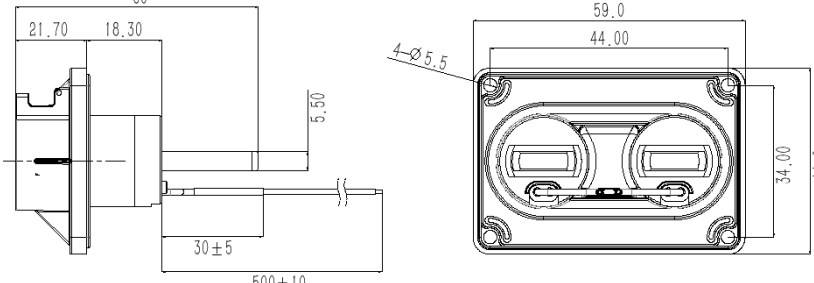
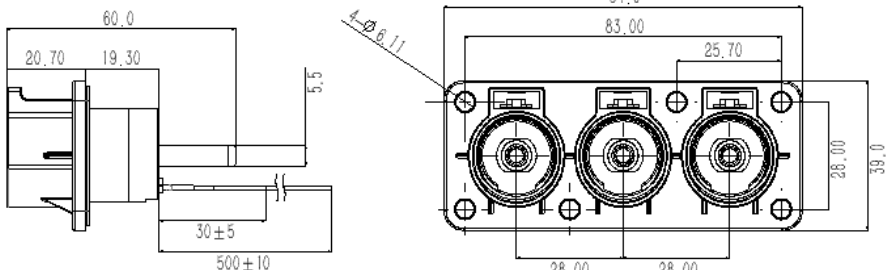
(\*) Denote KEY Position: X , Y , U , V , W

(&) Denote Busbar dimension with hole: M6 , M8 ; D6 , D8 ; H6 , H8

## HOW TO ORDER RECEPTACLE

Pictures	<b>ADL 00 X - 200 - 10 M6</b>
	<b>ADL Series</b>
	<b>(A) Connector type : 00 : Single-core socket ; 20 : Two-core socket ; 30 : Three-core socket</b>
	<b>(B) Key position and color : "X" Key position , Orange ( Include X/Y/U/V/W Five key positions)</b>
	<b>(C) Product Series : 200 : 200A Series (200/300/500 : Not contain HVIL ; 201/301/501 : Contain HVIL )</b>
	<b>(D) Direction of copper bar : 10 : Horizontal ; 90 : Vertical</b>
	<b>(E) Connection size : Threaded hole , M6 (M : Threaded hole , D : through-hole , H : waist-shaped hole )</b>
	<p>Note:                      "T" added at the end indicates temperature detection function;                      Two-poles receptacle and three-poles receptacle use with single-pole plug                      The above models are not all, please contact your sales representative if necessary.</p>

## RECEPTACLE INSTALL DIMENSION

<p>ADL00(*)-200-10M(&amp; ADL00(*)-201-10M(&amp;</p> 	<p>ADL00(*)-200-10D(&amp; ADL00(*)-201-10D(&amp;</p> 
<p>ADL00(*)-200-10H(&amp; ADL00(*)-201-10H(&amp;</p> 	<p>ADL00(*)-200-90M(&amp; ADL00(*)-201-90M(&amp;</p> 
<p>ADL00(*)-200-20M(&amp; ADL00(*)-201-20M(&amp;</p> 	<p>ADL00(*)-200-30C(&amp; ADL00(*)-201-30C(&amp;</p> 
<p>ADL20(*)-200-10M(&amp; ADL20(*)-201-10M(&amp;</p> 	
<p>ADL30(*)-200-10M(&amp; ADL30(*)-201-10M(&amp;</p> 	

## PLUG

Item	Shielding Cable Straight Plug	Unshielding Cable Straight Plug	Shielding Cable 90 Degree Plug	Unshielding Cable 90 Degree Plug
Pictures				
Product Number No HVIL	ADL18(*)-200-(&)	ADL48(*)-200-(&)	ADL28(*)-200-(&)	ADL58(*)-200-(&)
TProduct Number With HVIL	ADL18(*)-201-(&)	ADL48(*)-201-(&)	ADL28(*)-201-(&)	ADL58(*)-201-(&)

Item	Shielding Cable Straight Plug	Unshielding Cable Straight Plug	Shielding Cable 90 Degree Plug	Unshielding Cable 90 Degree Plug
Pictures				
Product Number No HVIL	ADL19(*)-200-(&)	ADL49(*)-200-(&)	ADL29(*)-200-(&)	ADL59(*)-200-(&)
Product Number With HVIL	ADL19(*)-201-(&)	ADL49(*)-201-(&)	ADL29(*)-201-(&)	ADL59(*)-201-(&)

### NOTES:

(\*) Denote KEY Position: U , V , W , X , Y

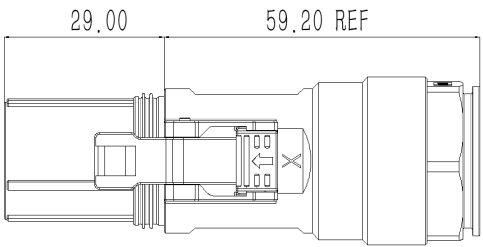
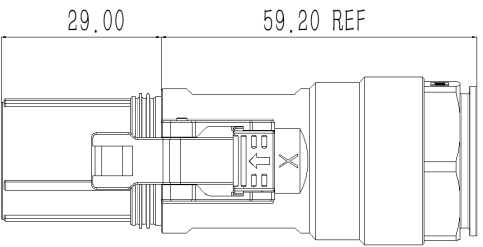
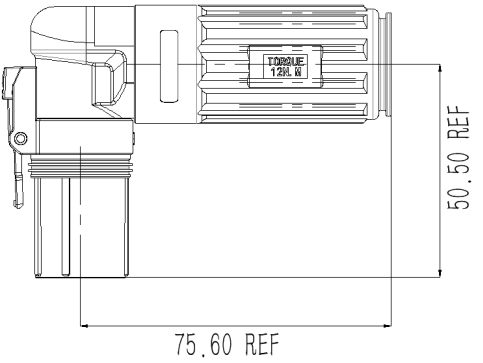
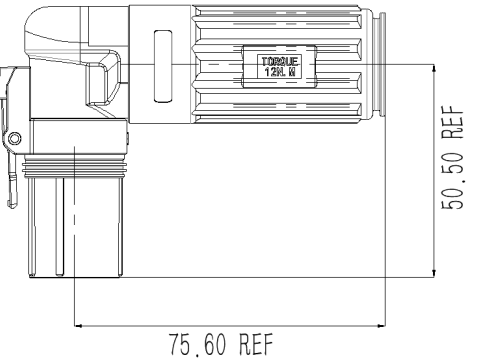
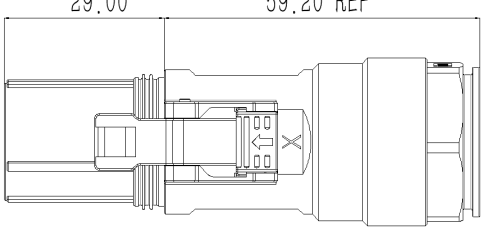
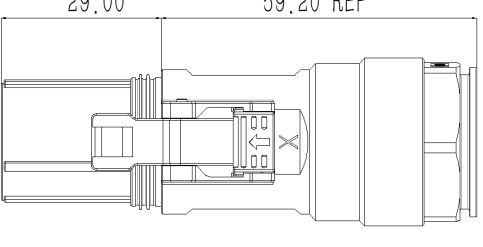
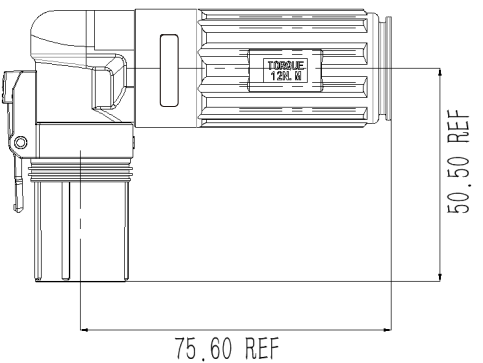
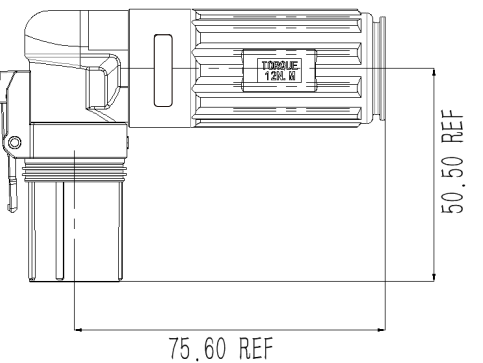
(&) Denote Cable dimension: 16 , 25 , 35 , 50

## HOW TO ORDER PLUG


Pictures	<b>ADL 18 X - 201 - 50</b>
  	<p>ADL Series</p> <p>(A) Connector type : 18 : Straight head;            18/19 : Straight head with Shield ; 28/29 : Angle head with Shield            48/49 : Straight head without Shield ; 58/59 : Angle head without Shield</p> <p>(B) Key position and color : "X" Key position , Orange ( Include X/Y/U/V/W Five key positions )</p> <p>(C) Product Series : 200 : 200A Series ( 200/300/500 : Not contain HVIL ; 201/301/501 : Contain HVIL )</p> <p>(D) Cable size : 16 mm<sup>2</sup> , 25 mm<sup>2</sup> , 35 mm<sup>2</sup> , 50 mm<sup>2</sup></p> <p>Note:            18,28,48,58 represents the plug matched with the horizontal copper bar socket;            19,29,49,59 represents the plug matched with the vertical copper bar socket;            The above models are not all, please contact your sales representative if necessary.</p>




## PLUG INSTALL DIMENSION

<p>ADL18(*)-200-(&amp; ADL18(*)-201-(&amp;</p> 	<p>ADL48(*)-200-(&amp; ADL48(*)-201-(&amp;</p> 
<p>ADL28(*)-200-(&amp; ADL28(*)-201-(&amp;</p> 	<p>ADL58(*)-200-(&amp; ADL58(*)-201-(&amp;</p> 
<p>ADL19(*)-200-(&amp; ADL19(*)-201-(&amp;</p> 	<p>ADL49(*)-200-(&amp; ADL49(*)-201-(&amp;</p> 
<p>ADL29(*)-200-(&amp; ADL29(*)-201-(&amp;</p> 	<p>ADL59(*)-200-(&amp; ADL59(*)-201-(&amp;</p> 


## STRAIGHT PLUG, ACCEPT SHIELDED CABLE

Series	Accepted Cable Size	Rated Voltage	Rated Current	Product Number No HVIL	Product Number With HVIL	PICTURES
200 Series	16mm <sup>2</sup>	1000V DC	90A	ADL18(*)-200-16	ADL18(*)-201-16	
	25mm <sup>2</sup>	1000V DC	120A	ADL18(*)-200-25	ADL18(*)-201-25	
	35mm <sup>2</sup>	1000V DC	150A	ADL18(*)-200-35	ADL18(*)-201-35	
	50mm <sup>2</sup>	1000V DC	200A	ADL18(*)-200-50	ADL18(*)-201-50	


## 90 DEGREE PLUG, ACCEPT SHIELDED CABLE

Series	Accepted Cable Size	Rated Voltage	Rated Current	Product Number No HVIL	Product Number With HVIL	PICTURES
200 Series	16mm <sup>2</sup>	1000V DC	90A	ADL28(*)-200-16	ADL28(*)-201-16	
	25mm <sup>2</sup>	1000V DC	120A	ADL28(*)-200-25	ADL28(*)-201-25	
	35mm <sup>2</sup>	1000V DC	150A	ADL28(*)-200-35	ADL28(*)-201-35	
	50mm <sup>2</sup>	1000V DC	200A	ADL28(*)-200-50	ADL28(*)-201-50	

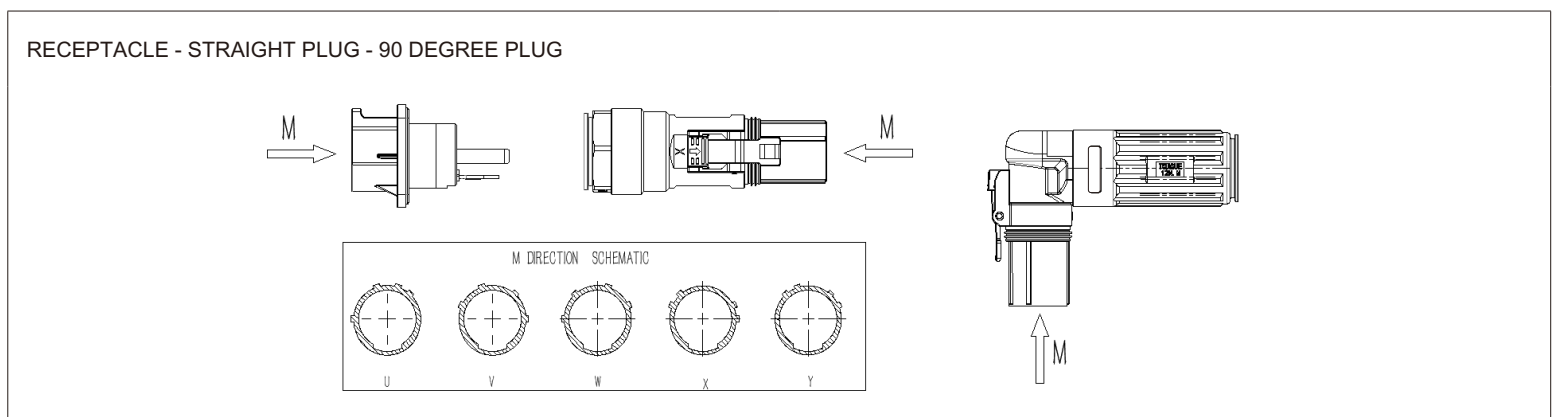
## STRAIGHT PLUG, ACCEPT SHIELDED CABLE

Series	Accepted Cable Size	Rated Voltage	Rated Current	Product Number No HVIL	Product Number With HVIL	PICTURES
200 Series	16mm <sup>2</sup>	1000V DC	90A	ADL19(*)-200-16	ADL19(*)-201-16	
	25mm <sup>2</sup>	1000V DC	120A	ADL19(*)-200-25	ADL19(*)-201-25	
	35mm <sup>2</sup>	1000V DC	150A	ADL19(*)-200-35	ADL19(*)-201-35	
	50mm <sup>2</sup>	1000V DC	200A	ADL19(*)-200-50	ADL19(*)-201-50	

## 90 DEGREE PLUG, ACCEPT SHIELDED CABLE

Series	Accepted Cable Size	Rated Voltage	Rated Current	Product Number No HVIL	Product Number With HVIL	PICTURES
200 Series	16mm <sup>2</sup>	1000V DC	90A	ADL29(*)-200-16	ADL29(*)-201-16	
	25mm <sup>2</sup>	1000V DC	120A	ADL29(*)-200-25	ADL29(*)-201-25	
	35mm <sup>2</sup>	1000V DC	150A	ADL29(*)-200-35	ADL29(*)-201-35	
	50mm <sup>2</sup>	1000V DC	200A	ADL29(*)-200-50	ADL29(*)-201-50	

## KEY POSITION



## RECEPTACLE

Item	180 Degree Busbar Lug	180 Degree Busbar Lug	180 Degree Busbar Lug	90 Degree Busbar Lug
Pictures				
Product Number No HVIL	ADL00(*)-300-10M(&)	ADL00(*)-300-10D(&)	ADL00(*)-300-10H(&)	ADL00(*)300-90M(&)
Product Number With HVIL	ADL00(*)-301-10M(&)	ADL00(*)-301-10D(&)	ADL00(*)-301-10H(&)	ADL00(*)-301-90M(&)

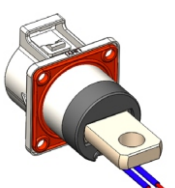
Item	Thread Pin	Tubular Lug	2 PIN Receptacle	3 PIN Receptacle
Pictures				
Product Number No HVIL	ADL00(*)-300-20M(&)	ADL00(*)-300-30C(&)	ADL20(*)-300-10M(&)	ADL30(*)-300-10M(&)
Product Number With HVIL	N/A	N/A	ADL20(*)-301-10M(&)	ADLC30(*)-301-10M(&)

**NOTES:**

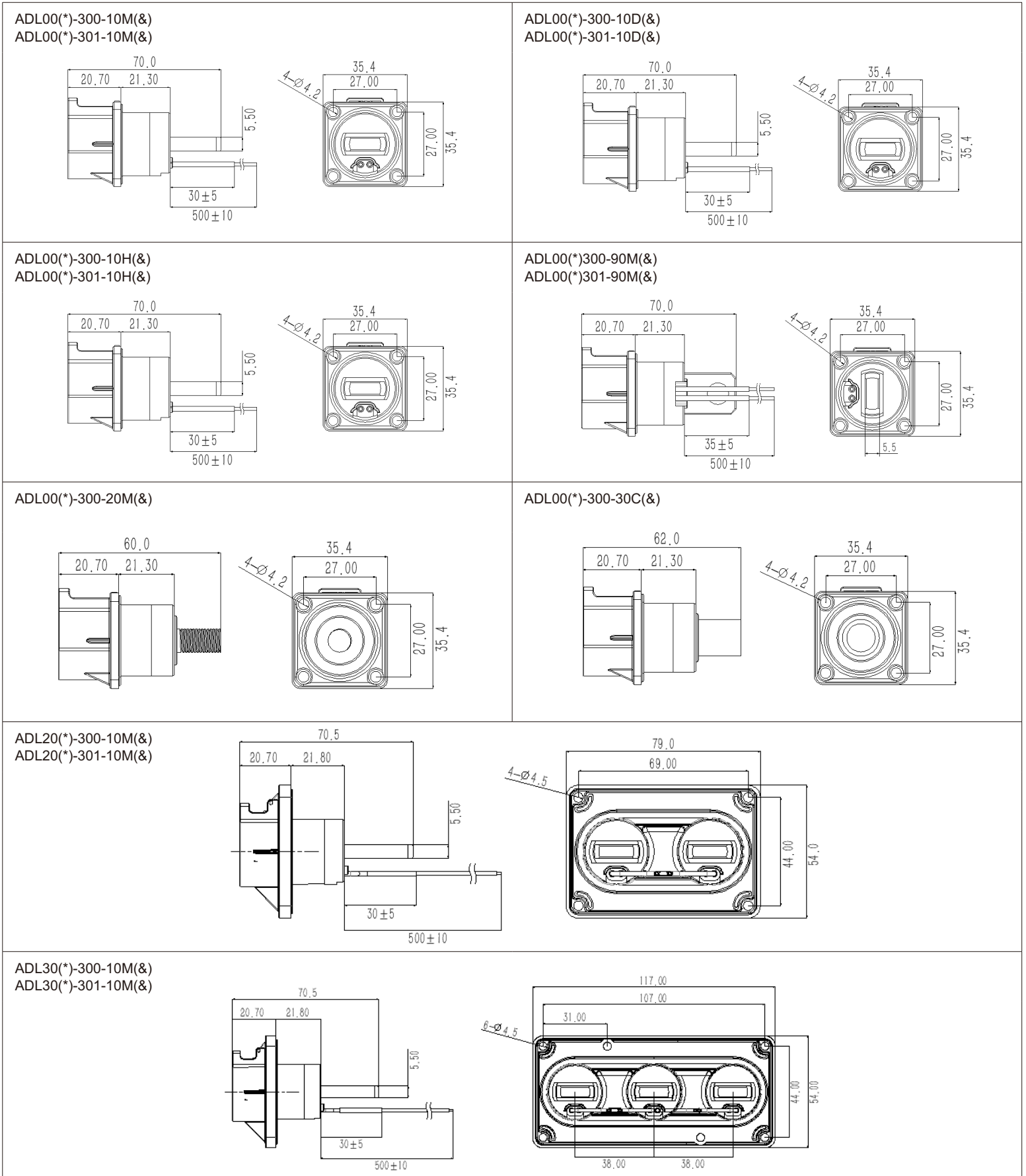
(\*) Denote KEY Position: U , V , W , X , Y , T

(&) Denote Busbar dimension with hole: M6 , M8 , M10 ; D6 , D8 , D10 ; H6 , H8 , H10

## HOW TO ORDER RECEPTACLE

Pictures  	<p style="text-align: right;"><b>ADL 00 X - 300 - 10 M10</b></p> <p>ADL Series</p> <p>(A) Connector type : 00 : Single-core socket ; 20 : Two-core socket ; 30 : Three-core socket</p> <p>(B) Key position and color : "X" Key position , Orange (Include X/Y/U/V/W/T Six key positions)</p> <p>(C) Product Series : 300 : 300A Series (200/300/500 : Not contain HVIL ; 201/301/501 : Contain HVIL)</p> <p>(D) Direction of copper bar : 10 : Horizontal ; 90 : Vertical</p> <p>(E) Connection size : Threaded hole , M10 (M : Threaded hole , D : through-hole , H : waist-shaped hole)</p> <p>Note:                      "T" added at the end indicates temperature detection function;                      Two-poles receptacle and three-poles receptacle use with single-pole plug;                      The above models are not all, please contact your sales representative if necessary.</p>
---	--

## RECEPTACLE INSTALL DIMENSION





## PLUG

Item	Shielding Cable Straight Plug	Unshielding Cable Straight Plug	Shielding Cable 90 Degree Plug	Unshielding Cable 90 Degree Plug
Pictures				
Product Number No HVIL	ADL18(*)-300-(&)	ADL48(*)-300-(&)	PRC28(*)-300-(&)	ADL58(*)-300-(&)
Product Number With HVIL	ADL18(*)-301-(&)	ADL48(*)-301-(&)	ADL28(*)-301-(&)	ADL58(*)-301-(&)

Item	Shielding Cable Straight Plug	Unshielding Cable Straight Plug	Shielding Cable 90 Degree Plug	Unshielding Cable 90 Degree Plug
Pictures				
Product Number No HVIL	ADL19(*)-300-(&)	ADL49(*)-300-(&)	ADL29(*)-300-(&)	ADL59(*)-300-(&)
Product Number With HVIL	ADL19(*)-301-(&)	ADL49(*)-301-(&)	ADL29(*)-301-(&)	ADL59(*)-301-(&)

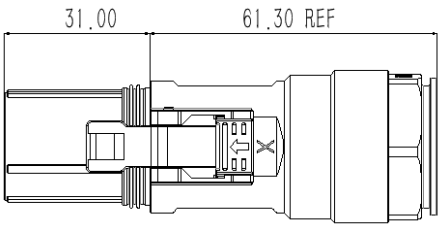
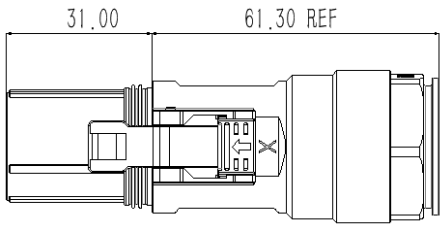
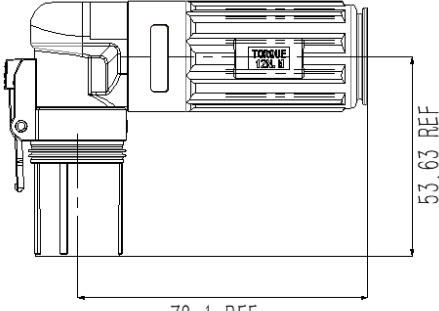
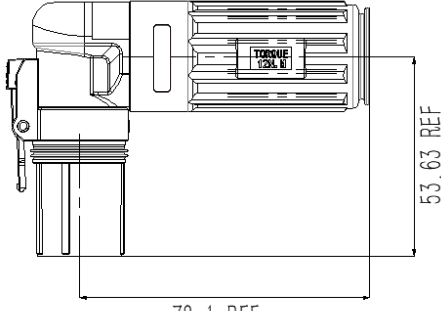
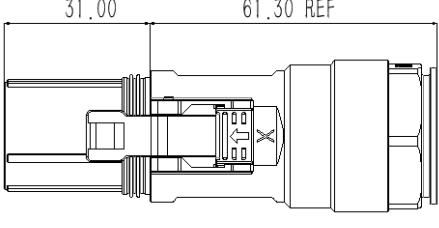
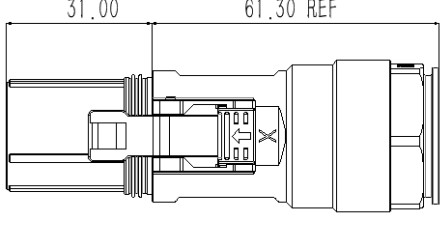
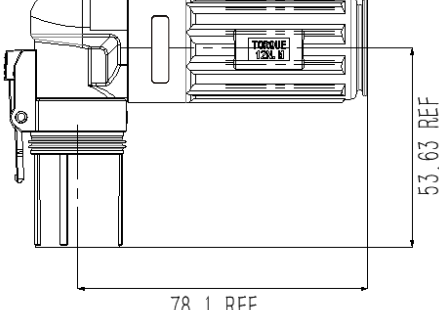
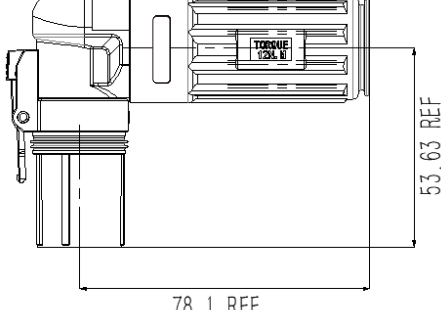
### NOTES:

(\*) Denote KEY Position: U , V , W , X , Y , T  
 (&) Denote Cable dimension: 35 , 50 , 70 , 95

## HOW TO ORDER PLUG

Pictures	
 	<p style="text-align: right;"><b>ADL 18 X - 301 - 70</b></p> <p>ADL Series</p> <p>(A) Connector type : 18 : Straight head ;                      18/19 : Straight head with Shield ; 28/29 : Angle head with Shield                      48/49 : Straight head without Shield ; 58/59 : Angle head without Shield</p> <p>(B) Key position and color : "X" Key position , Orange ( Include X/Y/U/V/W/T Six key positions )</p> <p>(C) Product Series : 300 : 300A Series (200/300/500 : Not contain HVIL ; 201/301/501 : Contain HVIL )</p> <p>(D) Cable size : 35mm<sup>2</sup> , 50 mm<sup>2</sup> , 70 mm<sup>2</sup> , 95 mm<sup>2</sup></p> <p>Note:                      18,28,48,58 represents the plug matched with the horizontal copper bar socket;                      19,29,49,59 represents the plug matched with the vertical copper bar socket;                      The above models are not all, please contact your sales representative if necessary.</p>

## PLUG INSTALL DIMENSION

<p>ADL18(*)-300-(&amp; ADL18(*)-301-(&amp;</p>  <p>31.00      61.30 REF</p>	<p>ADL48(*)-300-(&amp; ADL48(*)-301-(&amp;</p>  <p>31.00      61.30 REF</p>
<p>ADL28(*)-300-(&amp; ADL28(*)-301-(&amp;</p>  <p>78.1 REF      53.63 REF</p>	<p>ADL58(*)-300-(&amp; ADL58(*)-301-(&amp;</p>  <p>78.1 REF      53.63 REF</p>
<p>ADL19(*)-300-(&amp; ADL19(*)-301-(&amp;</p>  <p>31.00      61.30 REF</p>	<p>ADL49(*)-300-(&amp; ADL49(*)-301-(&amp;</p>  <p>31.00      61.30 REF</p>
<p>ADL29(*)-300-(&amp; ADL29(*)-301-(&amp;</p>  <p>78.1 REF      53.63 REF</p>	<p>ADL59(*)-300-(&amp; ADL59(*)-301-(&amp;</p>  <p>78.1 REF      53.63 REF</p>

## STRAIGHT PLUG, ACCEPT SHIELDED CABLE

Series	Accepted Cable Size	Rated Voltage	Rated Current	Product Number No HVIL	Product Number With HVIL	PICTURES
300 Series	35mm <sup>2</sup>	1000V DC	150A	ADL18(*)-300-35	ADL18(*)-301-35	
	50mm <sup>2</sup>	1000V DC	200A	ADL18(*)-300-50	ADL18(*)-301-50	
	70mm <sup>2</sup>	1000V DC	250A	ADL18(*)-300-70	ADL18(*)-301-70	
	95mm <sup>2</sup>	1000V DC	300A	ADL18(*)-300-95	ADL18(*)-301-95	

## 90 DEGREE PLUG, ACCEPT SHIELDED CABLE

Series	Accepted Cable Size	Rated Voltage	Rated Current	Product Number No HVIL	Product Number With HVIL	PICTURES
300 Series	35mm <sup>2</sup>	1000V DC	150A	ADL28(*)-300-35	ADL28(*)-301-35	
	50mm <sup>2</sup>	1000V DC	200A	ADL28(*)-300-50	ADL28(*)-301-50	
	70mm <sup>2</sup>	1000V DC	250A	ADL28(*)-300-70	ADL28(*)-301-70	
	95mm <sup>2</sup>	1000V DC	300A	ADL28(*)-300-95	ADL28(*)-301-95	

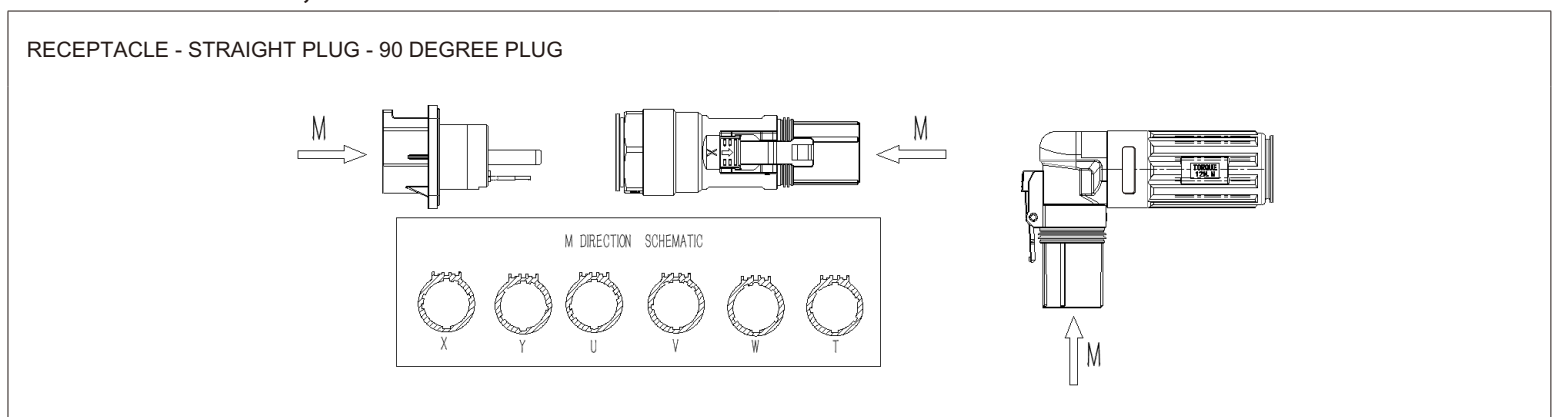
## KEY POSITION

Series	Accepted Cable Size	Rated Voltage	Rated Current	Product Number No HVIL	Product Number With HVIL	PICTURES
300 Series	35mm <sup>2</sup>	1000V DC	150A	ADL19(*)-300-35	ADL19(*)-301-35	
	50mm <sup>2</sup>	1000V DC	200A	ADL19(*)-300-50	ADL19(*)-301-50	
	70mm <sup>2</sup>	1000V DC	250A	ADL19(*)-300-70	ADL19(*)-301-70	
	95mm <sup>2</sup>	1000V DC	300A	ADL19(*)-300-95	ADL19(*)-301-95	

## STRAIGHT PLUG, ACCEPT SHIELDED CABLE

Series	Accepted Cable Size	Rated Voltage	Rated Current	Product Number No HVIL	Product Number With HVIL	PICTURES
300 Series	35mm <sup>2</sup>	1000V DC	150A	ADL29(*)-300-35	ADL29(*)-301-35	
	50mm <sup>2</sup>	1000V DC	200A	ADL29(*)-300-50	ADL29(*)-301-50	
	70mm <sup>2</sup>	1000V DC	250A	ADL29(*)-300-70	ADL29(*)-301-70	
	95mm <sup>2</sup>	1000V DC	300A	ADL29(*)-300-95	ADL29(*)-301-95	

## 90 DEGREE PLUG, ACCEPT SHIELDED CABLE



## RECEPTACLE

Item	180 Degree Busbar Lug	180 Degree Busbar Lug	180 Degree Busbar Lug	90 Degree Busbar Lug
Pictures				
Product Number No HVIL	ADLC00(*)-500-10M(&)	ADL00(*)-500-10D(&)	ADL00(*)-500-10H(&)	ADL00(*)500-90M(&)
Product Number With HVIL	ADL00(*)-501-10M(&)	ADL00(*)-501-10D(&)	ADL00(*)-501-10H(&)	ADL00(*)-501-90M(&)

Item	Thread Pin	Tubular Lug	2 PIN Receptacle	3 PIN Receptacle
Pictures				
Product Number No HVIL	ADL00(*)-500-20M(&)	ADL00(*)-500-30C(&)	ADL20(*)-500-10M(&)	ADL30(*)-500-10M(&)
Product Number With HVIL	N/A	N/A	ADLC20(*)-501-10M(&)	ADL30(*)-501-10M(&)

### NOTES:

(\*) Denote KEY Position: U , V , W , X , Y

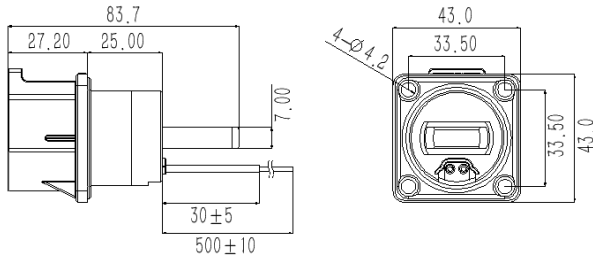
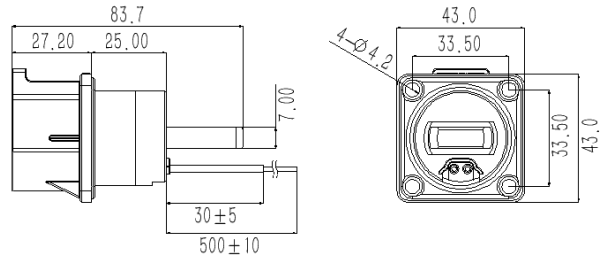
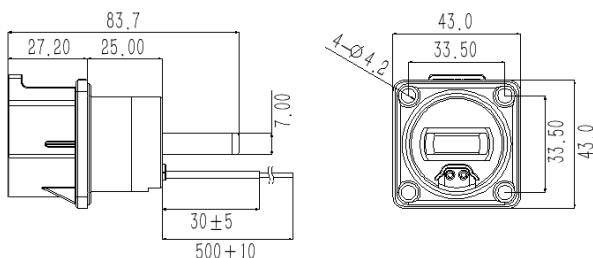
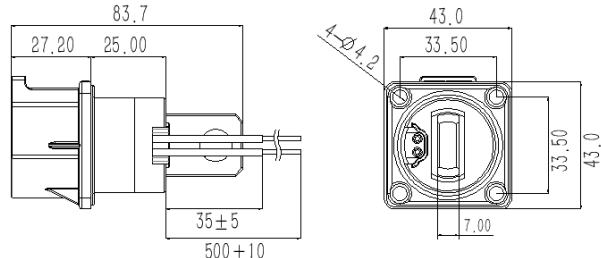
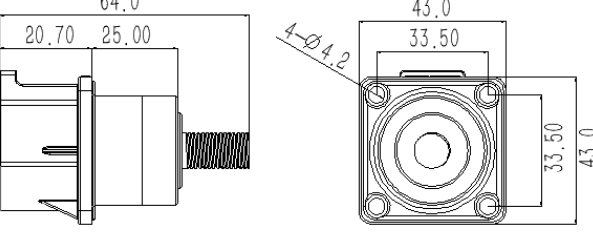
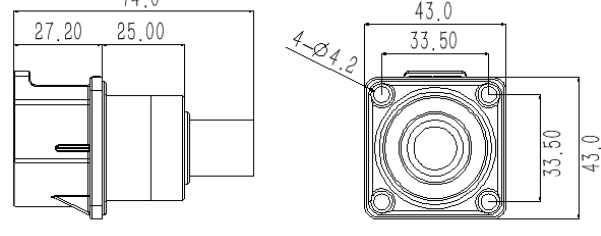
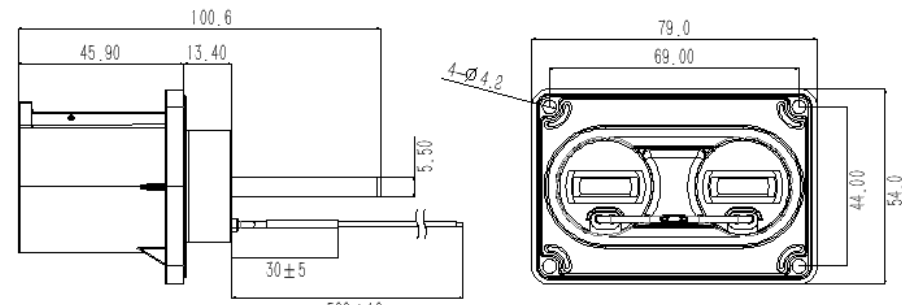
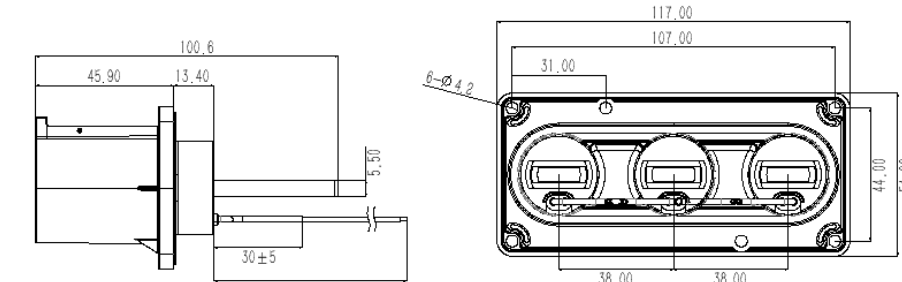
(&) Denote Busbar dimension with hole : M6 , M8 , M10 ; D6 , D8 , D10 ; H6 , H8 , H10

## HOW TO ORDER RECEPTACLE

Pictures	
	<p style="text-align: right;"><b>ADL00 X - 500 - 10 M10</b></p> <p>ADL Series</p> <p>(A) Connector type : 00 : Single-core socket ; 20 : Two-core socket ; 30 : Three-core socket</p> <p>(B) Key position and color : "X" Key position , Orange (Include X/Y/U/V/W Five key positions)</p> <p>(C) Product Series : 500 : 500A Series (200/300/500 : Not contain HVIL ; 201/301/501 : Contain HVIL )</p> <p>(D) Direction of copper bar : 10 : Horizontal ; 90 : Vertical</p> <p>(E) Connection size : Threaded hole , M10 (M : Threaded hole , D : through-hole , H : waist-shaped hole )</p> <p>Note:                      "T" added at the end indicates temperature detection function;                      Two-poles receptacle and three-poles receptacle use with single-pole plug;                      The above models are not all, please contact your sales representative if necessary.</p>



## RECEPTACLE INSTALL DIMENSION

<p>ADL00(*)-500-10M(&amp; ADL00(*)-501-10M(&amp;</p> 	<p>ADL00(*)-500-10D(&amp; ADL00(*)-501-10D(&amp;</p> 
<p>ADL00(*)-500-10H(&amp; ADL00(*)-501-10H(&amp;</p> 	<p>ADL00(*)-500-90M(&amp; ADL00(*)-501-90M(&amp;</p> 
<p>ADL00(*)-500-20M(&amp;</p> 	<p>ADL00(*)-500-30C(&amp;</p> 
<p>ADL20(*)-500-10M(&amp; ADL20(*)-501-10M(&amp;</p> 	
<p>ADL30(*)-500-10M(&amp; ADL30(*)-501-10M(&amp;</p> 	

## PLUG

Item	Shielding Cable Straight Plug	Unshielding Cable Straight Plug	Shielding Cable 90 Degree Plug	Unshielding Cable 90 Degree Plug
Pictures				
Product Number No HVIL	ADL18(*)-500-(&)	ADL48(*)-500-(&)	ADL28(*)-500-(&)	ADL58(*)-500-(&)
Product Number With HVIL	ADL18(*)-501-(&)	ADL48(*)-501-(&)	ADL28(*)-501-(&)	ADL58(*)-501-(&)

Item	Shielding Cable Straight Plug	Unshielding Cable Straight Plug	Shielding Cable 90 Degree Plug	Unshielding Cable 90 Degree Plug
Pictures				
Product Number No HVIL	ADL19(*)-500-(&)	ADL49(*)-500-(&)	ADL29(*)-500-(&)	ADL59(*)-500-(&)
Product Number With HVIL	ADL19(*)-501-(&)	ADL49(*)-501-(&)	ADL29(*)-501-(&)	ADL59(*)-501-(&)

### NOTES:

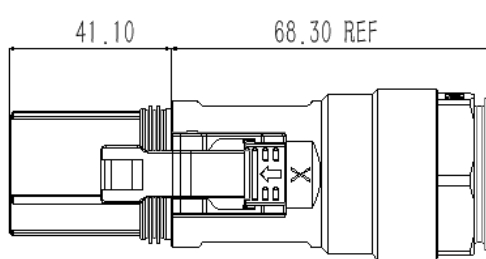
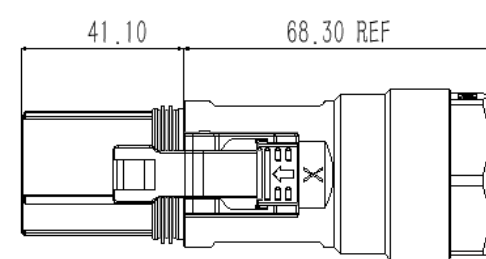
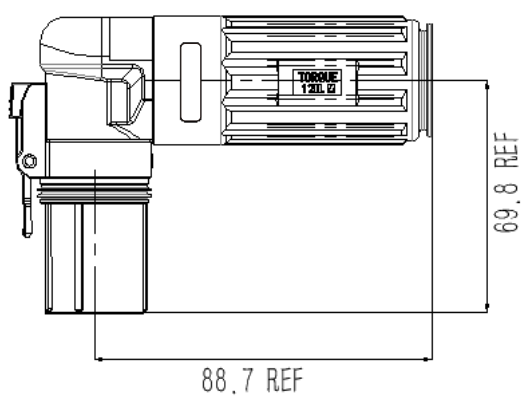
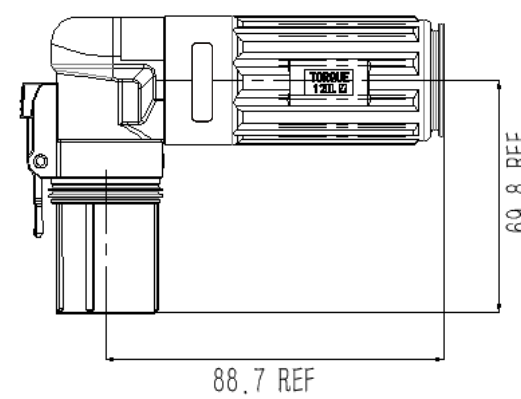
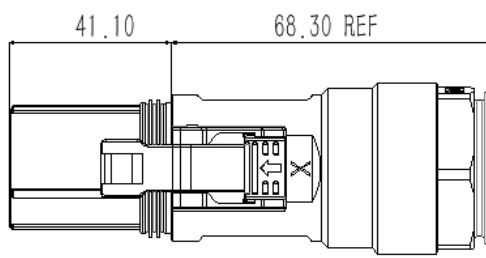
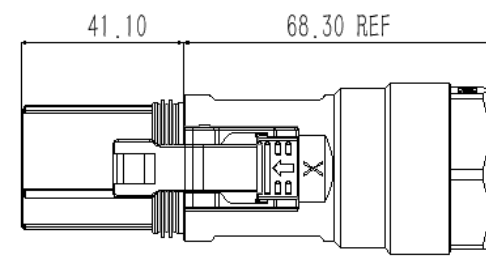
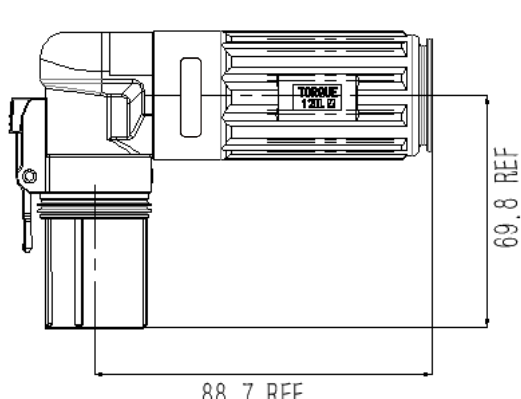
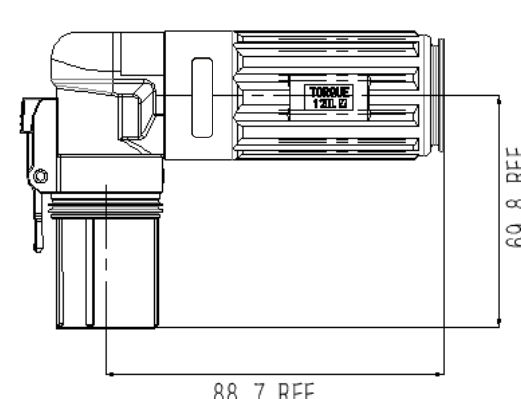
(\*) Denote KEY Position: U , V , W , X , Y

(&) Denote Cable dimension: 95 , 120 , 135 , 150

## HOW TO ORDER PLUG

Pictures	
	<p style="text-align: right;"><b>ADL 18 X - 501 - 70</b></p> <p>ADL Series</p> <p>(A) Connector type : 18 : Straight head ; 18/19 : Straight head with Shield ; 28/29 : Angle head with Shield 48/49 : Straight head without Shield ; 58/59 : Angle head without Shield</p> <p>(B) Key position and color : "X" Key position , Orange (Include X/Y/U/V/W Five key positions)</p> <p>(C) Product Series : 500 : 500A Series (200/300/500 : Not contain HVIL ; 201/301/501 : Contain HVIL )</p> <p>(D) Cable Size : 95mm<sup>2</sup> , 120mm<sup>2</sup> , 135mm<sup>2</sup> , 150mm<sup>2</sup></p> <p>Note: 18,28,48,58 represents the plug matched with the horizontal copper bar socket; 19,29,49,59 represents the plug matched with the vertical copper bar socket; The above models are not all, please contact your sales representative if necessary.</p>

## PLUG INSTALL DIMENSION

<p>ADL18(*)-500-(<math>\&amp;</math>) ADL18(*)-501-(<math>\&amp;</math>)</p>  <p>41.10      68.30 REF</p>	<p>ADL48(*)-500-(<math>\&amp;</math>) ADL48(*)-501-(<math>\&amp;</math>)</p>  <p>41.10      68.30 REF</p>
<p>ADL28(*)-500-(<math>\&amp;</math>) ADL28(*)-501-(<math>\&amp;</math>)</p>  <p>69.8 REF</p> <p>88.7 REF</p>	<p>ADL58(*)-500-(<math>\&amp;</math>) ADL58(*)-501-(<math>\&amp;</math>)</p>  <p>69.8 REF</p> <p>88.7 REF</p>
<p>ADL19(*)-500-(<math>\&amp;</math>) ADL19(*)-501-(<math>\&amp;</math>)</p>  <p>41.10      68.30 REF</p>	<p>ADL49(*)-500-(<math>\&amp;</math>) ADL49(*)-501-(<math>\&amp;</math>)</p>  <p>41.10      68.30 REF</p>
<p>ADL29(*)-500-(<math>\&amp;</math>) ADL29(*)-501-(<math>\&amp;</math>)</p>  <p>69.8 REF</p> <p>88.7 REF</p>	<p>ADL59(*)-500-(<math>\&amp;</math>) ADL59(*)-501-(<math>\&amp;</math>)</p>  <p>69.8 REF</p> <p>88.7 REF</p>

## STRAIGHT PLUG, ACCEPT SHILED CABLE

Series	Accepted Cable Size	Rated Voltage	Rated Current	Product Number No HVIL	Product Number With HVIL	PICTURES
500 Series	95mm <sup>2</sup>	1000V DC	320A	ADL18(*)-500-95	ADL18(*)-501-95	
	120mm <sup>2</sup>	1000V DC	350A	ADL18(*)-500-120	ADL18(*)-501-120	
	135mm <sup>2</sup>	1000V DC	400A	ADL18(*)-500-135	ADL18(*)-501-135	
	150mm <sup>2</sup>	1000V DC	500A	ADL18(*)-500-150	ADL18(*)-501-150	

## 90 DEGREE PLUG, ACCEPT SHILED CABLE

Series	Accepted Cable Size	Rated Voltage	Rated Current	Product Number No HVIL	Product Number With HVIL	PICTURES
500 Series	95mm <sup>2</sup>	1000V DC	320A	ADL28(*)-500-95	ADL28(*)-501-95	
	120mm <sup>2</sup>	1000V DC	350A	ADL28(*)-500-120	ADL28(*)-501-120	
	135mm <sup>2</sup>	1000V DC	400A	ADL28(*)-500-135	ADL28(*)-501-135	
	150mm <sup>2</sup>	1000V DC	500A	ADL28(*)-500-150	ADL28(*)-501-150	

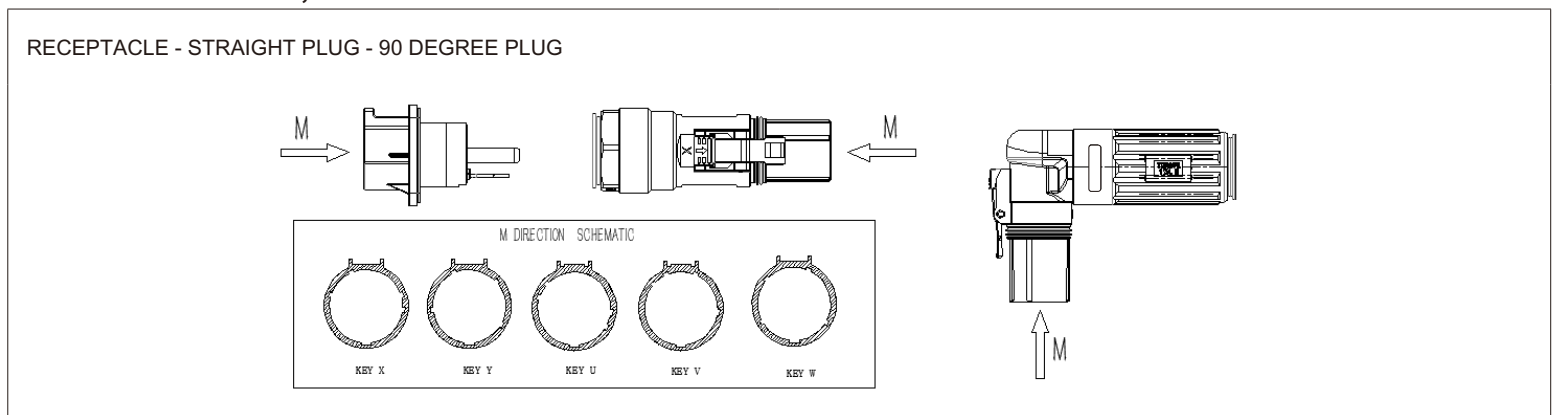
## KEY POSITION

Series	Accepted Cable Size	Rated Voltage	Rated Current	Product Number No HVIL	Product Number With HVIL	PICTURES
500 Series	95mm <sup>2</sup>	1000V DC	320A	ADL19(*)-500-95	ADL19(*)-501-95	
	120mm <sup>2</sup>	1000V DC	350A	ADL19(*)-500-120	ADL19(*)-501-120	
	135mm <sup>2</sup>	1000V DC	400A	ADL19(*)-500-135	ADL19(*)-501-135	
	150mm <sup>2</sup>	1000V DC	500A	ADL19(*)-500-150	ADL19(*)-501-150	

## STRAIGHT PLUG, ACCEPT SHILED CABLE

Series	Accepted Cable Size	Rated Voltage	Rated Current	Product Number No HVIL	Product Number With HVIL	PICTURES
500 Series	95mm <sup>2</sup>	1000V DC	320A	ADL29(*)-500-95	ADL29(*)-501-95	
	120mm <sup>2</sup>	1000V DC	350A	ADL29(*)-500-120	ADL29(*)-501-120	
	135mm <sup>2</sup>	1000V DC	400A	ADL29(*)-500-135	ADL29(*)-501-135	
	150mm <sup>2</sup>	1000V DC	500A	ADL29(*)-500-150	ADL29(*)-501-150	

## 90 DEGREE PLUG, ACCEPT SHILED CABLE



## RECEPTACLE

Item	Three-core Pin	Four-core Pin
Pictures		
Product Number No HVIL	ADL083(*)-40-(&)	ADL084(*)-40-(&)
Product Number With HVIL	ADL083(*)-41-(&)	ADL084(*)-41-(&)

### NOTES:

(\*) Denote KEY Position: X , Y , U

(&) Denote Cable size: 2.5 , 4 , 6

## HOW TO ORDER RECEPTACLE

Pictures	
	<p style="text-align: right;"><b>ADL 083 X - 40 - 2.5</b></p> <p>ADL Series</p> <p>(A) Connector type : 083: Three-core socket ; 084 : Four-core socket</p> <p>(B) Key position and color : "X" Key position Orange (Include X/Y/U Three key positions)</p> <p>(C) Product Series : 40 : Not contain HVIL , 41 : Contain HVIL</p> <p>(D) Cable size : 2.5 mm<sup>2</sup> , 4 mm<sup>2</sup> , 6 mm<sup>2</sup></p> <p>Note: The above models are not all, please contact your sales representative if necessary.</p>

## RECEPTACLE INSTALL DIMENSION

<p>ADL083(*)-40-(&amp;) ADL083(*)-41-(&amp;)</p>	<p>ADL084(*)-40-(&amp;) ADL084(*)-41-(&amp;)</p>
--	--

## RECEPTACLE PARAMETER TABLE, ACCEPT WIRES

Series	Accepted Cable Size	Rated Voltage	Rated Current	Product Number No HVIL	Product Number With HVIL	PICTURES
40A Three-core Series	2.5mm <sup>2</sup>	1000V DC	20A	ADL083(*)-40-2.5	ADL083(*)-41-2.5	
	4mm <sup>2</sup>	1000V DC	30A	ADL083(*)-40-4	ADL083(*)-41-4	
	6mm <sup>2</sup>	1000V DC	40A	ADL083(*)-40-6	ADL083(*)-41-6	
40A Four-core Series	2.5mm <sup>2</sup>	1000V DC	20A	ADL084(*)-40-2.5	ADL084(*)-41-2.5	
	4mm <sup>2</sup>	1000V DC	30A	ADL084(*)-40-4	ADL084(*)-41-4	
	6mm <sup>2</sup>	1000V DC	40A	ADL084(*)-40-6	ADL084(*)-41-6	

## PLUG

Item	Shielding Cable Three-core Integrated Plug	Unshielding Cable Three-core Integrated Plug	Shielding Cable Four-core Plug	Unshielding Cable Four-core Plug
Pictures				
Product Number No HVIL	ADL163(*)-40-(&)	ADL463(*)-40-(&)	ADL184(*)-40-(&)	ADL484(*)-40-(&)
Product Number With HVIL	ADL163(*)-41-(&)	ADL463(*)-41-(&)	ADL184(*)-41-(&)	ADL484(*)-40-(&)

### NOTES:

(\*) Denote KEY Position: X , Y , U

(&) Denote Cable size: 2.5 , 4 , 6

## HOW TO ORDER PLUG

Pictures  	<b>ADL 163 X - 40 - 2.5</b>
	<p>ADL Series</p> <p>(A) Connector type :                      163 : Shielding Cable Three-core Integrated Plug                      463 : Unshielding Cable Tree-core Integrated Plug                      184 : Shielding Cable Four-core Plug                      484 : Unshielding Cable Four-core Plug</p> <p>(B) Key position and color : "X" Key position , Orange (Include X/Y/U Three key positions)</p> <p>(C) Product Series : 40 : Not contain HVIL ; 41 : Contain HVIL</p> <p>(D) Cable size : 2.5 mm<sup>2</sup> , 4 mm<sup>2</sup> , 6 mm<sup>2</sup></p> <p>Note:                      The above models are not all, please contact your sales representative if necessary.</p>



## PLUG INSTALL DIMENSION

ADL163(*)-40-(& ADL163(*)-41-(&		ADL463(*)-40-(& ADL463(*)-41-(&	
ADL184(*)-40-(& ADL184(*)-41-(&		ADL484(*)-40-(& ADL484(*)-41-(&	

## PLUG PARAMETER TABLE, ACCEPT SHIELDING CABLE

Series	Accepted Cable Size	Rated Voltage	Rated Current	Shielding Cable Three-core Integrated Plug	Unshielding Cable Three-core Integrated Plug	Picture
40A Three-poles Series	2.5mm <sup>2</sup>	1000V DC	20A	ADL163(*)-4(&)-2.5	ADL463(*)-4(&)-2.5	
	4mm <sup>2</sup>	1000V DC	30A	ADL163(*)-4(&)-4	ADL463(*)-4(&)-4	
	6mm <sup>2</sup>	1000V DC	40A	ADL163(*)-4(&)-6	ADL463(*)-4(&)-6	
Series	Accepted Cable Size	Rated Voltage	Rated Current	Shielding Cable Four-core Plug	Unshielding Cable Four-core Plug	Picture
40A Four-poles Series	2.5mm <sup>2</sup>	1000V DC	20A	ADL184(*)-4(&)-2.5	ADL484(*)-4(&)-2.5	
	4mm <sup>2</sup>	1000V DC	30A	ADL184(*)-4(&)-4	ADL484(*)-4(&)-4	
	6mm <sup>2</sup>	1000V DC	40A	ADL184(*)-4(&)-6	ADL484(*)-4(&)-6	

### NOTES:

(\*) Denote KEY Position: X , Y , U

(&) Denote HVIL : 0 : Not contain HVIL ; 1 : Contain HVIL

## KEY POSITION

40A Three-poles Series	
40A Four-poles Series	

## RECEPTACLE

Item	Two-core Pin
Pictures	
Product Number No HVIL	ADL082(*)-60-(&)
Product Number With HVIL	ADL082(*)-61-(&)

**NOTES:**

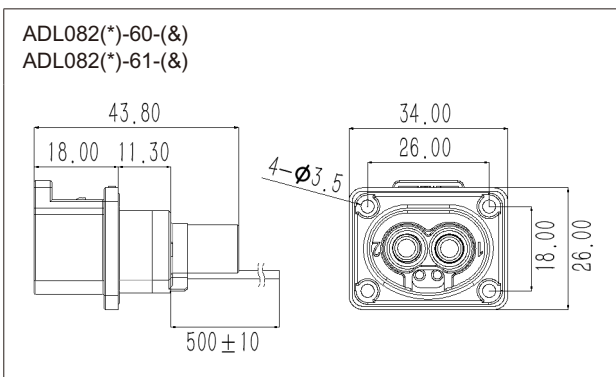
(\*) Denote KEY Position: X , Y , U , V

(&) Denote Cable size: 2.5 , 4 , 6 , 10

## HOW TO ORDER RECEPTACLE

Pictures	<b>ADL 082 X - 60 - 2.5</b>
	ADL Series
	(A) Connector type : 082: Two-core socket
	(B) Key position and color : "X" Key position , Orange (Include X/Y/U/V Four key positions)
	(C) Product Series : 60 : Not contain HVIL ; 61 : Contain HVIL
	(D) Cable size : 2.5 mm <sup>2</sup> , 4 mm <sup>2</sup> , 6 mm <sup>2</sup> , 10 mm <sup>2</sup>
<p>Note: The above models are not all, please contact your sales representative if necessary.</p>	

## RECEPTACLE INSTALL DIMENSION



## RECEPTACLE PARAMETER TABLE, ACCEPT WIRES

Series	Accepted Cable Size	Rated Voltage	Rated Current	Product Number No HVIL	Product Number With HVIL	PICTURES
60A Two-core Series	2.5mm <sup>2</sup>	1000V DC	25A	ADL082(*)-60-2.5	ADL082(*)-61-2.5	
	4mm <sup>2</sup>	1000V DC	35A	ADL082(*)-60-4	ADL082(*)-61-4	
	6mm <sup>2</sup>	1000V DC	45A	ADL082(*)-60-6	ADL082(*)-61-6	
	10mm <sup>2</sup>	1000V DC	60A	ADL082(*)-60-10	ADL082(*)-61-10	

## PLUG

Item	Shielding Cable Two-core Plug	Unshielding Cable Two-core Plug	Shielding Cable Two-core Integrated Plug	Unshielding Cable Two-core Integrated Plug
Pictures				
Product Number No HVIL	ADL182(*)-60-(&)	ADL482(*)-60-(&)	ADL162(*)-60-(&)	ADL462(*)-60-(&)
Product Number With HVIL	ADL182(*)-61-(&)	ADL482(*)-61-(&)	ADL162(*)-61-(&)	ADL462(*)-61-(&)

### NOTES:

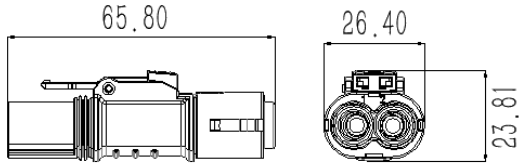
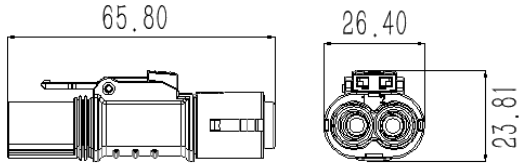
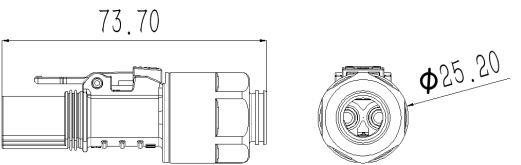
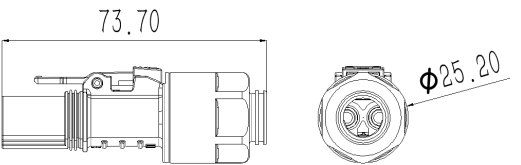
(\*) Denote KEY Position : U , V , X , Y

(&) Denote Cable dimension : 2.5 , 4 , 6 , 10

## HOW TO ORDER PLUG

Pictures	
	<p style="text-align: right;"><b>ADL 182 X - 60 - 2.5</b></p> <p>ADL Series</p> <p>(A) Connector type :                      182 : Shielding Cable Two-core Plug                      162 : Shielding Cable Two-core Integrated Plug                      482 : Unshielding Cable Two-core Plug                      462 : Unshielding Cable Two-core Integrated Plug</p> <p>(B) Key position and color : "X" Key position , Orange (Include X/Y/U/V Four key positions)</p> <p>(C) Product Series : 60 : Not contain HVIL ; 61 : Contain HVIL</p> <p>(D) Cable size : 2.5 mm<sup>2</sup> , 4 mm<sup>2</sup> , 6 mm<sup>2</sup> , 10 mm<sup>2</sup></p> <p>Note: The above models are not all, please contact your sales representative if necessary.</p>

## PLUG INSTALL DIMENSION

<p>ADL182(*)-60-(&amp; ADL182(*)-61-(&amp;</p> 	<p>ADL482(*)-60-(&amp; ADL482(*)-61-(&amp;</p> 
<p>ADL162(*)-60-(&amp; ADL162(*)-61-(&amp;</p> 	<p>ADL462(*)-60-(&amp; ADL462(*)-61-(&amp;</p> 

## PLUG PARAMETER TABLE, ACCEPT SHIELDING CABLE

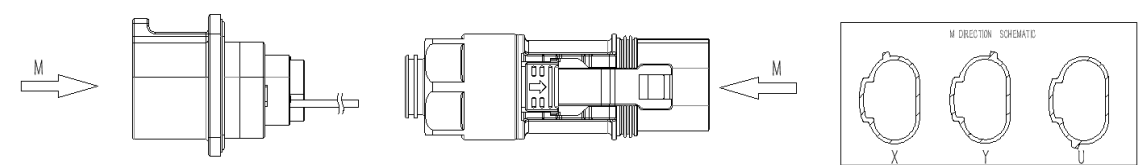
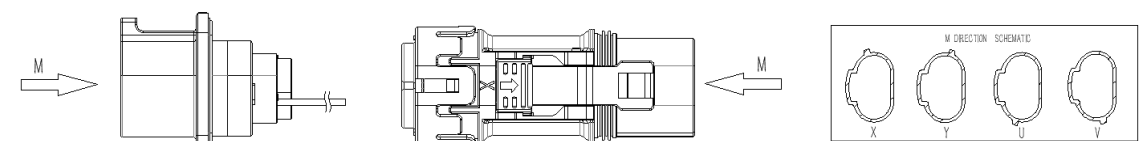
Series	Accepted Cable Size	Rated Voltage	Rated Current	Shielding Cable Two-poles Plug	Unshielding Cable Two-poles Plug	Shielding Cable Two-poles Integrated Plug	Unshielding Cable Two-poles Integrated Plug
60A Two-core Series	2.5mm <sup>2</sup>	1000V DC	25A	ADL182(*)-6(&-2.5	ADL482(*)-6(&-2.5	ADL162(*)-6(&-2.5	ADL462(*)-6(&-2.5
	4mm <sup>2</sup>	1000V DC	35A	ADL182(*)-6(&-4	ADL482(*)-6(&-4	ADL162(*)-6(&-4	ADL462(*)-6(&-4
	6mm <sup>2</sup>	1000V DC	45A	ADL182(*)-6(&-6	ADL482(*)-6(&-6	ADL162(*)-6(&-6	ADL462(*)-6(&-6
	10mm <sup>2</sup>	1000V DC	60A	ADL182(*)-6(&-10	ADL482(*)-6(&-10	ADL162(*)-6(&-10	ADL462(*)-6(&-10

### NOTES:

(\*) Denote KEY Position: X, Y, U, V

(&) Denote HVIL: 0 : Not contain HVIL ; 1 : Contain HVIL )

## KEY POSITION

<p>60A Two-core Plug</p> 
<p>60A Two-core Integrated Plug</p> 

## ADES 10.3mm HV connector ( 70-107mm<sup>2</sup> cable )



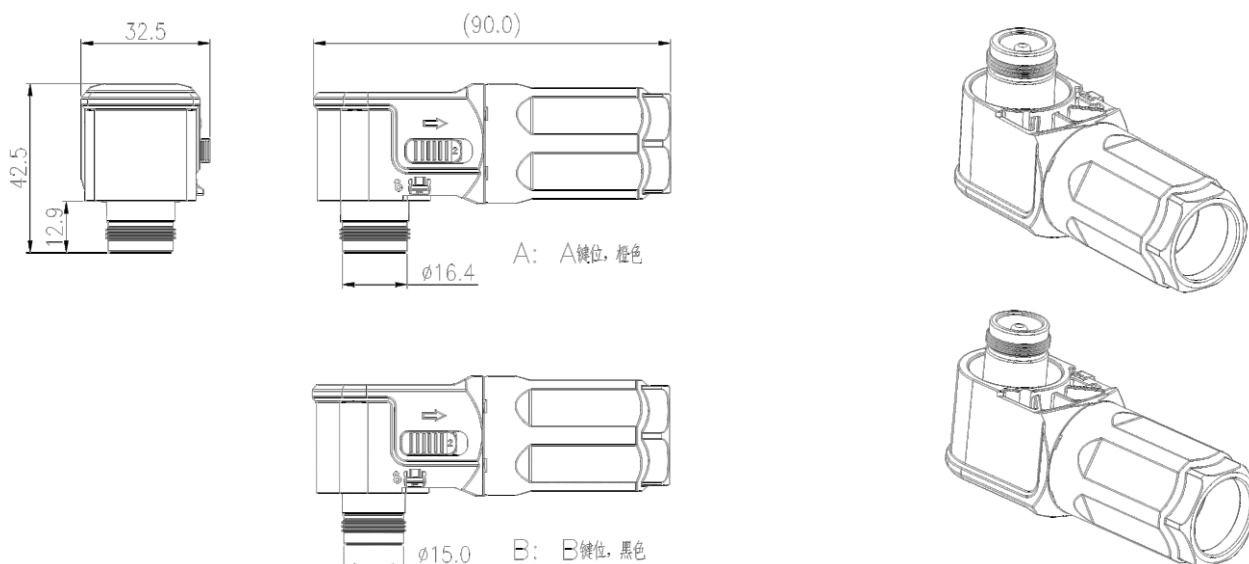
ADES 10.3mm Energy Storage HV connector is developed for high current energy storage application, easy plug and play, quick mate/unmate, high safety and reliability, space saving. A lower cost application, better than traditional lug and bus bar installation, a better solution for new generation energy storage system.

### Features

- Different color option for Terminal In and Out
- One-piece plastic housing, easy to assemble
- Secondary-locking for high safety
- 360° rotation
- IP67 rated

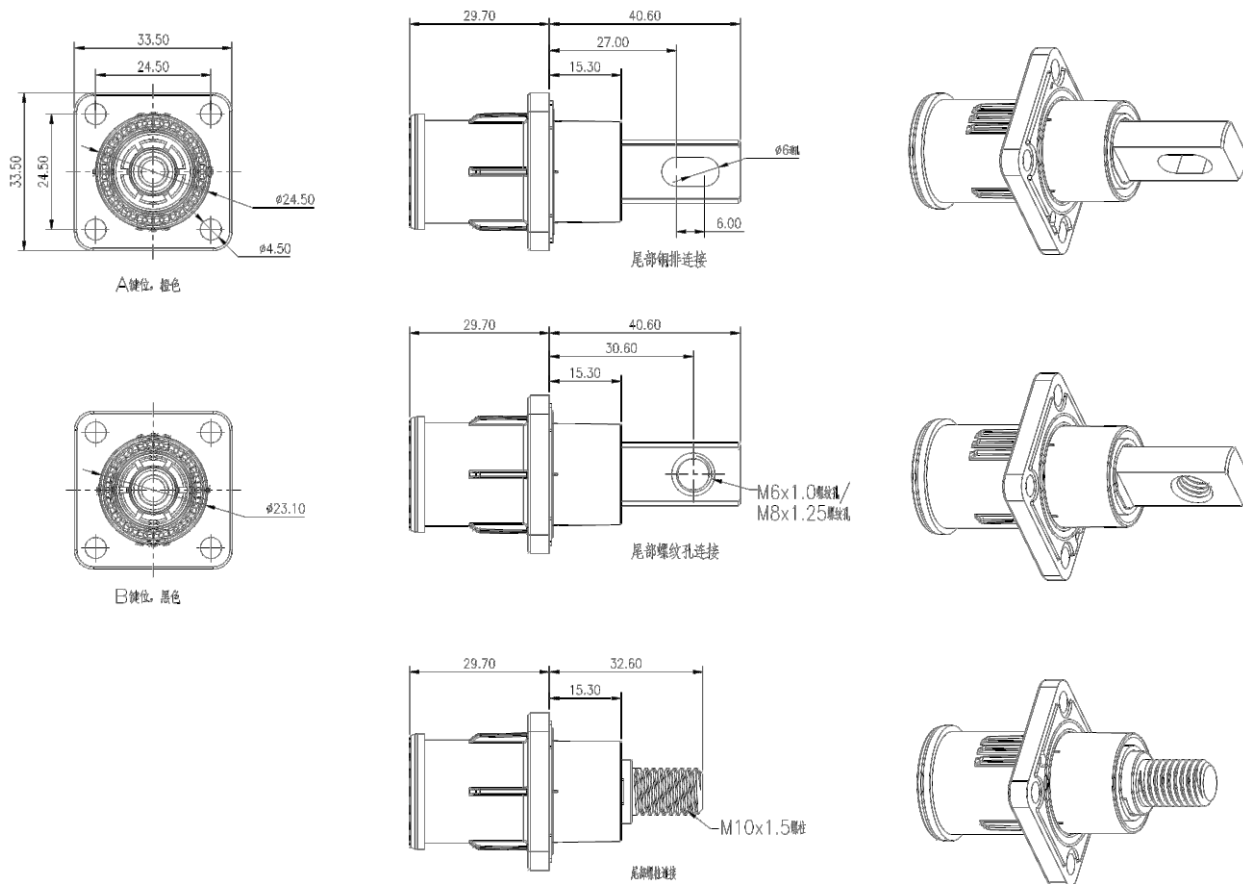
Technical Specification	
Mating cycle	≥500
Mating force	< 100N
Cable size	70 to 95mm <sup>2</sup> unshielded cable 2/0 to 4/0 AWG
Rated current	250A to 350A
Rated voltage	1500V DC
Withstand voltage	TUV 4260VAC/UL 6800VAC
Insulation re- sistance	≥200MΩ (DC1500V)
IP rating	IP67
Operating temp	-40°C ~ 125°C
Contact	Copper alloy, silver plating
Housing	PA66
Flammability	UL94V0

\*ADES 10.3 mm HV connector plug dimension:



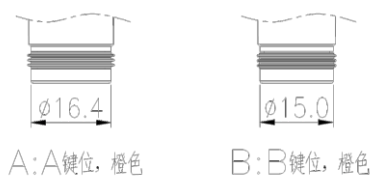
14.0mm for 400A & 500A application is available upon request!

ADES 10.3mm HV connector receptacle dimension:

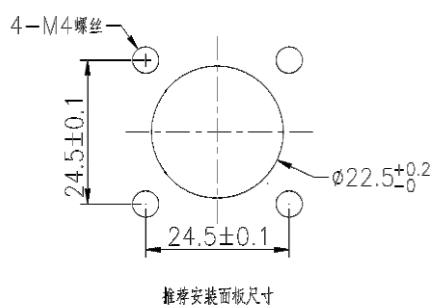


ADES 10.3mm HV connector keyway:

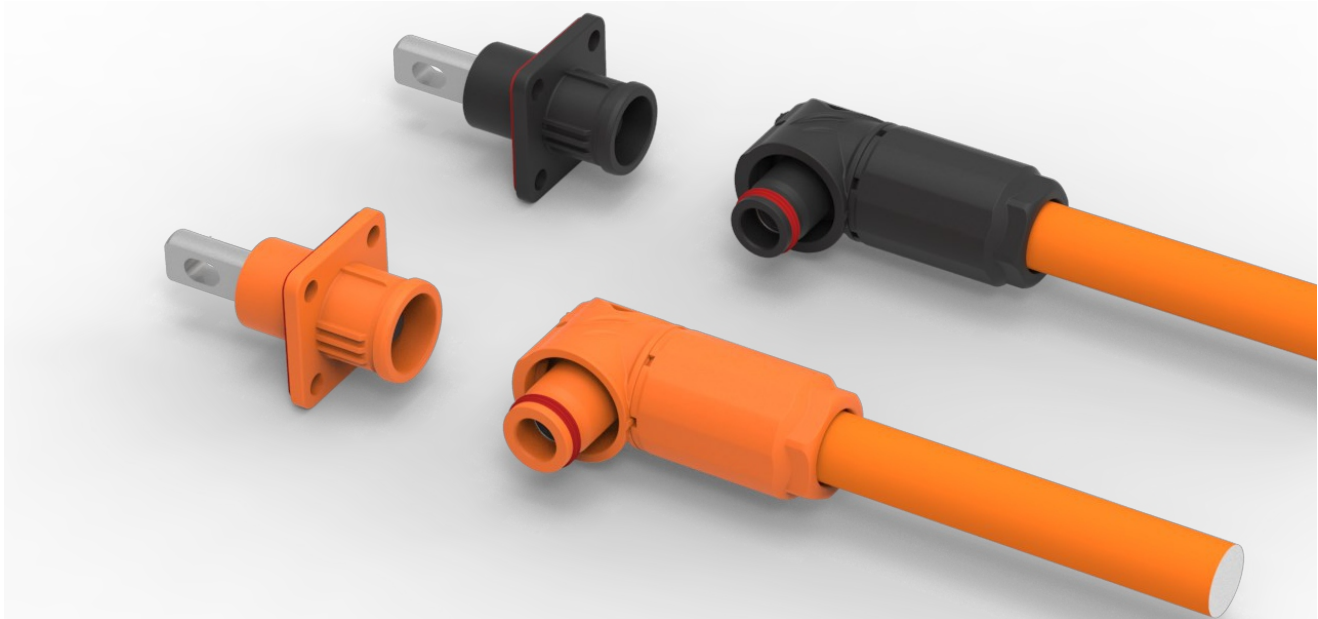
Key A: Orange Key B: Orange



ADES 10.3mm HV connector panel mounting dimension



## ADES 8mm HV connector ( 35-50mm<sup>2</sup> cable )



ADES 8mm Energy Storage HV connector is developed for high-current energy storage application, easy plug and play, quick mate/unmate, high safety and reliability, space-saving.

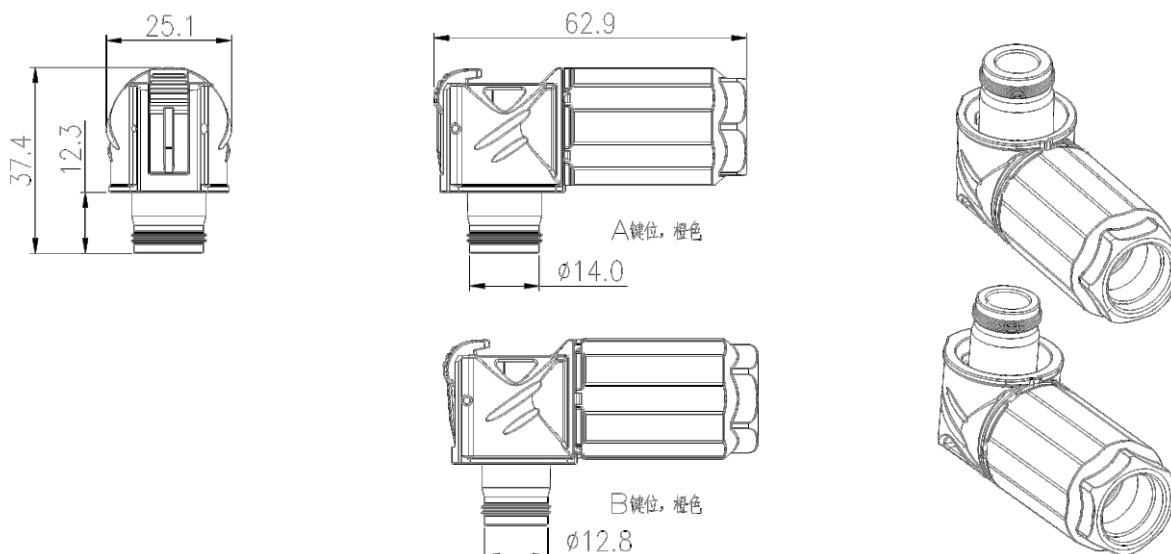
A lower cost application, better than traditional lug and bus bar installation, a better solution for new generation energy storage system.

### Features

- Different color option for Terminal In and Out
- One-piece plastic housing, easy to assemble
- Secondary-locking for high safety
- 360° rotation
- IP67 rated

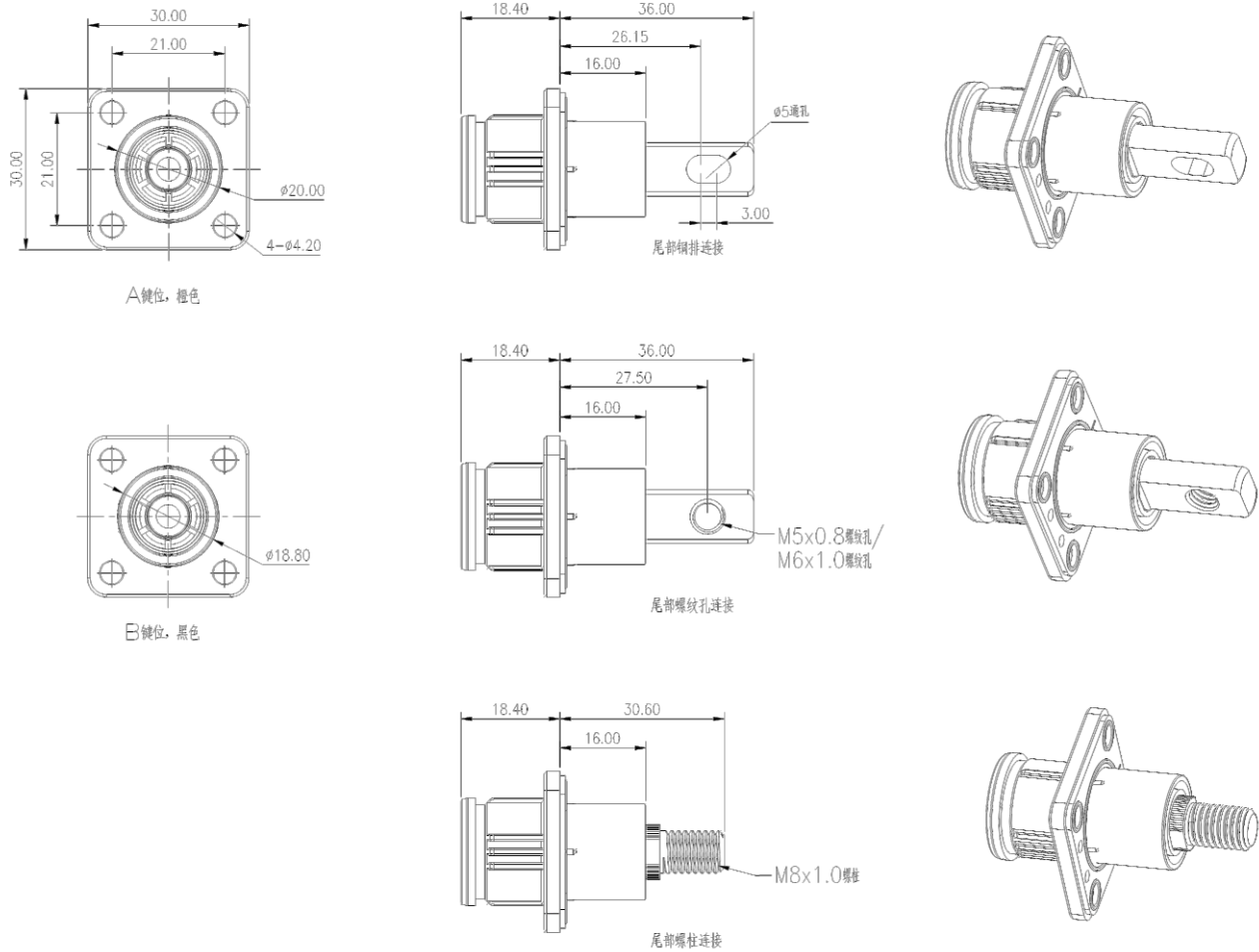
Technical Specification	
Mating cycle	≥500
Mating force	< 100N
Cable size	35 to 50mm <sup>2</sup> unshielded cable
Rated current	150A to 200A
Rated voltage	1500V DC
Withstand voltage	TUV 4260VAC/UL 6800VAC
Insulation resistance	≥200MΩ (DC1500V)
IP rating	IP67
Operating temp	-40°C to 125°C
Contact	Copper alloy, silver plating
Housing	PA66
Flammability	UL94V0

ADES 8.0mm HV connector plug dimension:

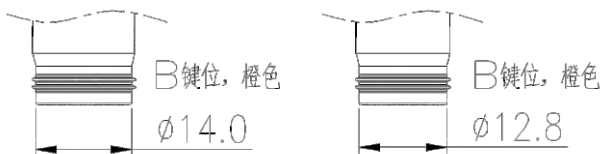




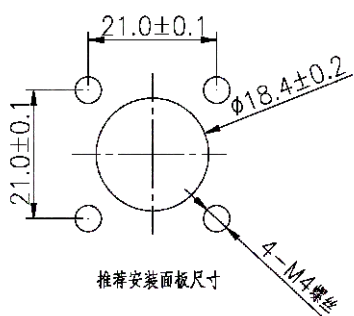
ADES 8mm HV connector receptacle dimension:



ADES 8mm HV connector keyway :



ADES 8mm HV connector panel mounting dimension :



## ADES 6mm high voltage connector ( 16-25mm<sup>2</sup> cable )



ADES 6mm Energy Storage HV connector is developed for high-current energy storage application, easy plug and play, quick mate/unmate, high safety and reliability, space-saving.

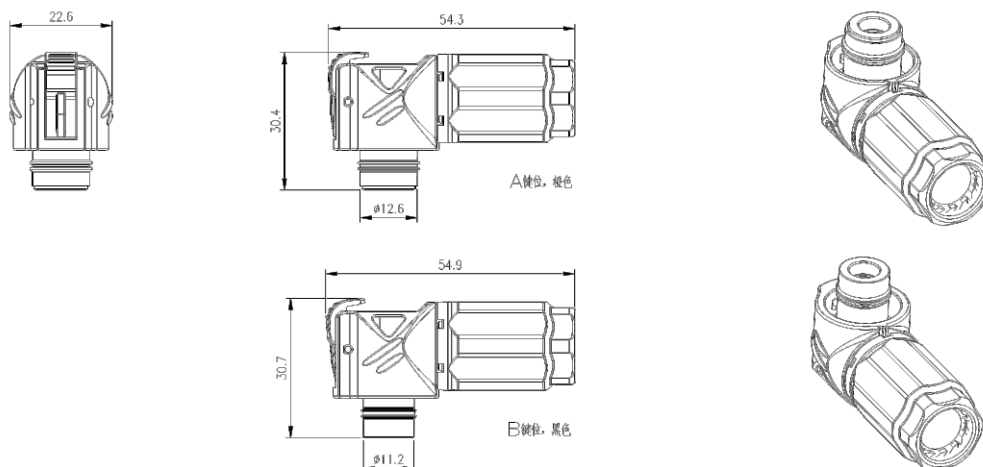
A lower cost application, better than traditional lug and bus bar installation, a better solution for new generation energy storage system.

### Features

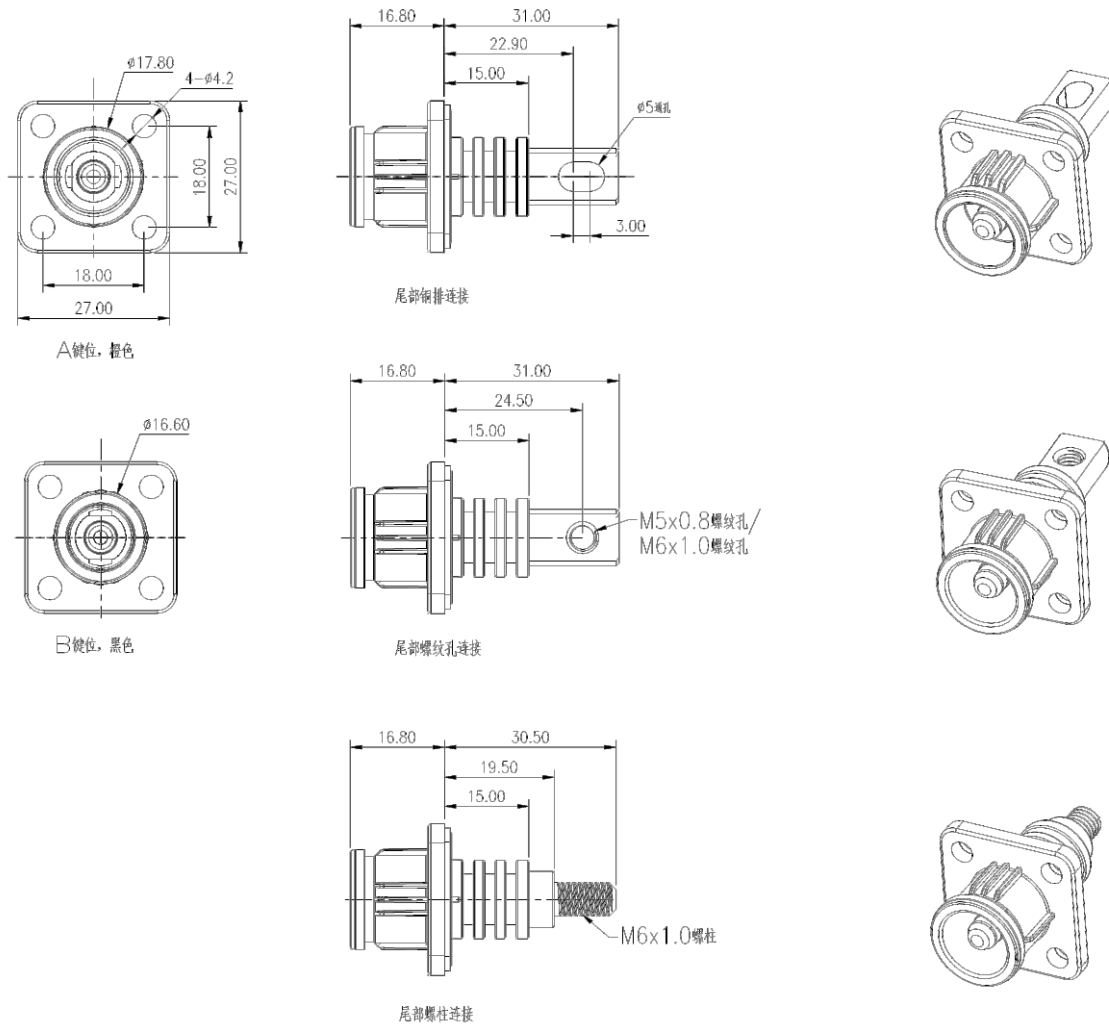
- Different color option for Terminal In and Out
- One-piece plastic housing, easy to assemble
- Secondary-locking for high safety
- 360° rotation
- IP67 rated

Technical Specification	
Mating cycle	≥500
Mating force	< 100N
Cable size	16 to 25mm <sup>2</sup> unshielding cable
Rated current	80A to 125A
Rated voltage	1500V DC
Withstand voltage	TUV 4260VAC/UL 6800VAC
Insulation resistance	≥200MΩ (DC1500V)
IP rating	IP67
Operating temp	-40°C ~ 125°C
Contact	Copper alloy, Silver plating
Housing	PA66
Flammability	UL94V0

### ADES 6.0mm HV connector plug dimension



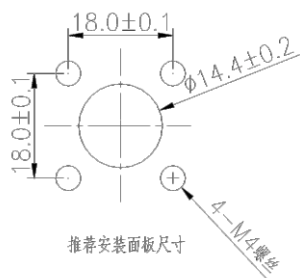
## ADES 6mm HV connector receptacle dimension:



## ADES 6mm HV connector keyway:



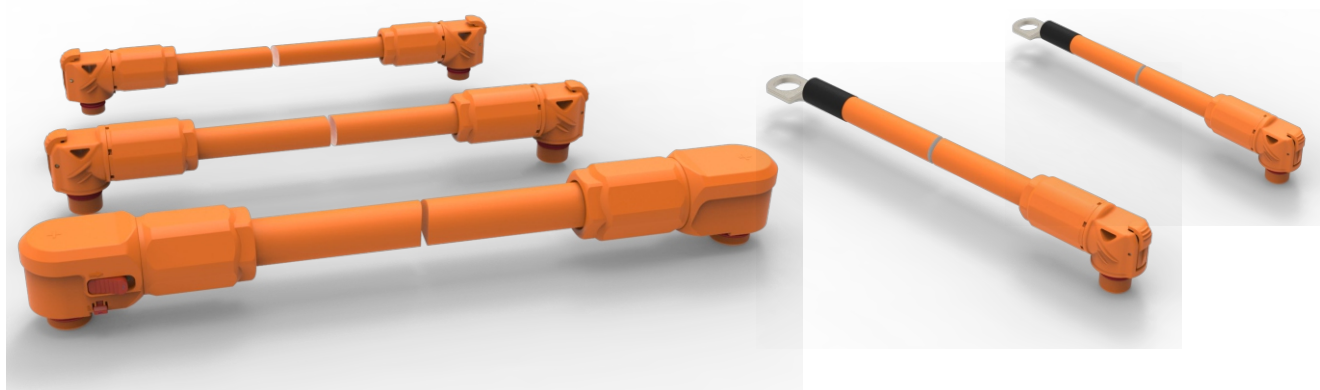
## ADES 6mm HV connector panel mounting dimension:



### ADES HV connector ordering code

ADES HV connector series	ADES	X	X	X	X	X	XX	XX	X -	XX
<b>Poles :</b> 1=single pole ;										
<b>Housing :</b> 2=Plastic ;										
<b>Plug/Receptacle :</b> 2=Receptacle ( flange ) ;      3= 90° R/A plug ( button ) ;										
<b>HVIL :</b> B= w/t HVIL ;										
<b>Secondary locking :</b> S= with ;      N=w/t ;										
<b>Contact size :</b> 19=6mm ; 20=8mm ; 24=10.3mm ; .....  <b>Termination ( Plug means cable size , Receptacle means termination ) :</b> <b>Plug :</b> 16=16mm <sup>2</sup> ; 17=25mm <sup>2</sup> ; 18 = 35mm <sup>2</sup> ; 19 = 50mm <sup>2</sup> ; 20 = 70mm <sup>2</sup> ; 21 = 95mm <sup>2</sup> ; <b>Receptacle :</b> HX= ΦX through hole( bus bar) BX= MX Bolt ; MX= MX Threaded hole( bus bar ) ;										
<b>Error proof key way (color) / :</b> A= A Keyway, Orange ;      B=B Keyway, Black ; .....										
<b>Note code :</b>  .....										

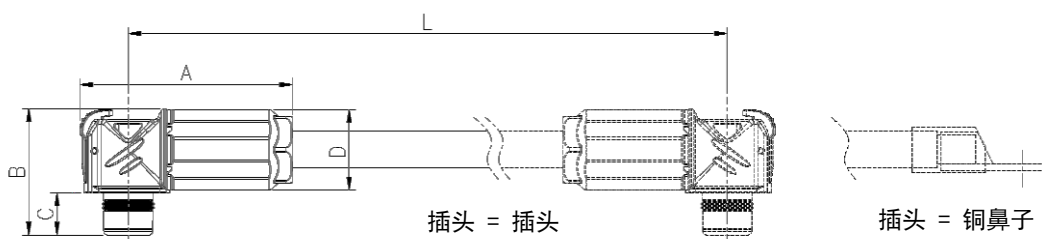
## ADES HV connector cable assembly



### ADES cable assembly

Customize cable assembly per your cable length, easy plug and play, quick installation in field, increase project efficiency.

Technical Specification	
Mating cycle	≥500
Mating force	< 100N
Cable size	16 to 95mm <sup>2</sup> unshielding cable Up to 4/0 AWG
Rated current	80A to 350A
Rated voltage	1500V DC
Withstand voltage	TUV 4260VAC/UL 6800VAC
Insulation resistance	≥200MΩ (DC1500V)
IP rating	IP67
Operating temp	-40°C to 125°C
Cable insulation	XLPE / PVC / silicone
Flammability	UL94V0



Size ( mm )	Cable size ( mm <sup>2</sup> )	Current ( A )	Assembly connector dimension ( mm )			
			A	B	C	D
6.0	16	80	54.3	30.1	8.7	19.5
	25	125				
8.0	35	150	62.5	36.9	12.3	23.5
	50	200				
10.3	70	250 ~ 300	85.2	36.6	8.9	29.0
	95 4/0 AWG	300 ~ 350				

## ADES connector cable assembly ordering code

ADES Cable Assembly    ADECA    XXXX    XXXX - XXX

Connector type :

ADESES= ADES series + ADES series ;

ADES00 = EES series +Lug/ Pigtail ;

Cable length :

0500 = 500mm ;

Note code : 001~999 ;

## ADEHB Bolt terminal connector



## ADFTC Bolt terminal connector

Energy storage application, provide high voltage, high current connection in system.

Positive and Negative, Orange(+) and Black(-) housing

Bolt, Through hole and Threaded hole termination for easy installation

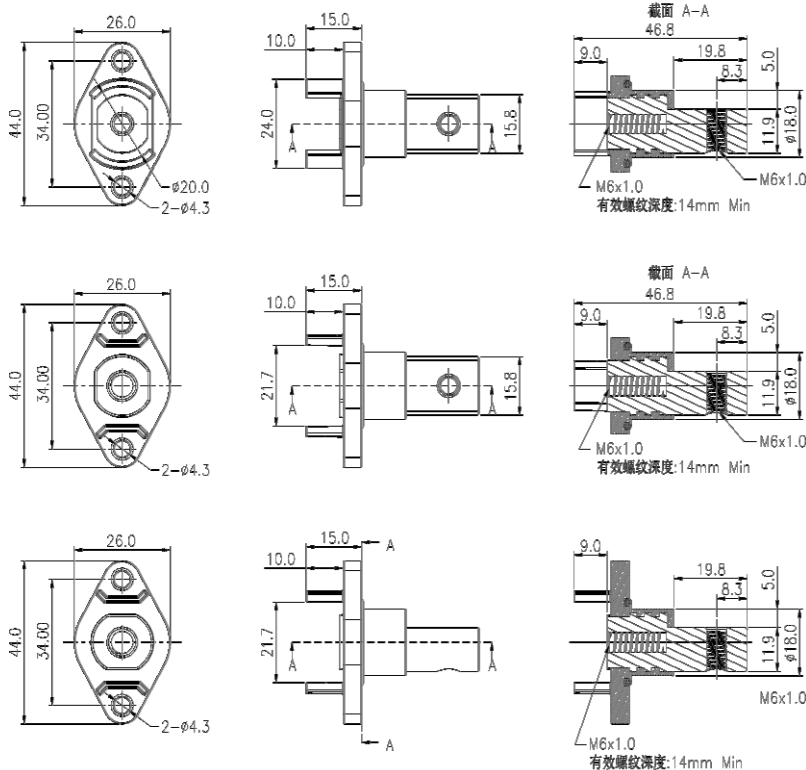
### Features

- IP 67 rated, unmated ;
- Colorful polarity
- Straight or R/A termination
- 2 mounting holes

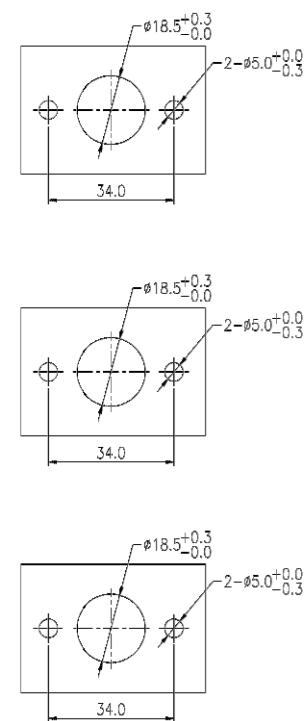
### Technical specification

Rated current	300A MAX.
Rated voltage	1000V DC
Withstand voltage	3000V AC
Insulation resistance	≥1000MΩ (DC500V)
Salt spray	48 hours
IP rating	IP67 ( unmated condition )
Operating temp	-40°C to 125°C
Contact	Copper alloy
Flammability	UL94V0

### ADFTC Bolt connector dimension :



### ADFTC panel mounting dimension :

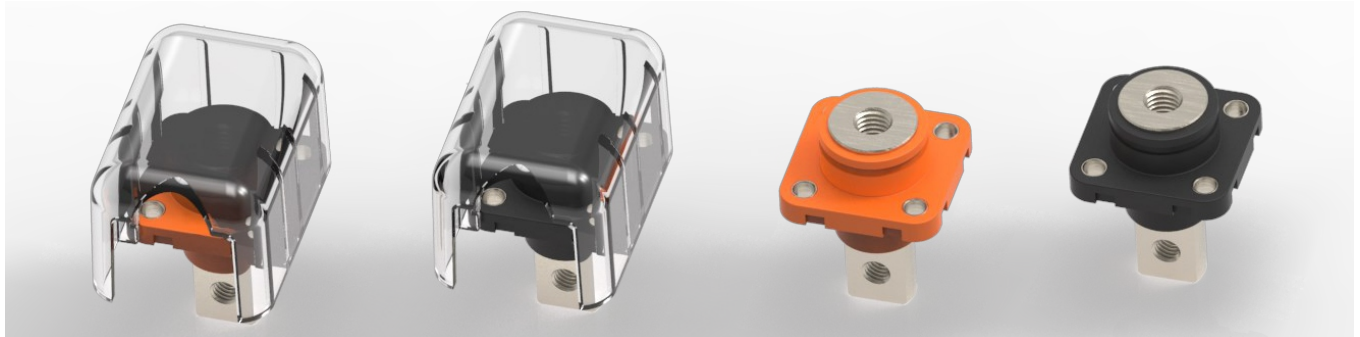




## ADFTC Bolt terminal ordering code

ADFTC series	ADFTC	X	1	B	N	X	XX	X	
Connector type : 3= Type A ; 4=Type B									
Hole : 1 = Single pole ; .....									
HVIL : B = w/t ;									
Shielding : N = non-shielding ;									
Termination : .....; 6=Bolt M6 thred ; 8= Bolt M8 thread ;									
End termination : MX=MX Threaded hole ; TX=MX Threaded hole 90° EX=MX Threaded hole(Extended, straight) ; HX=φX Through hole, straight									
Housing color : A=Orange ; B=Black ;									

## ADEHB Type C Bolt Terminal



### ADFTC Bolt terminal connector

Energy storage application, provide high voltage, high current connection in system.

Positive and Negative, Orange(+) and Black(-) housing

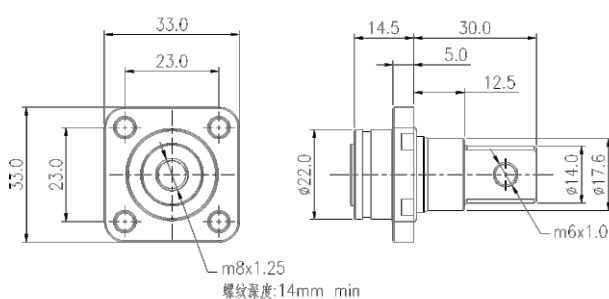
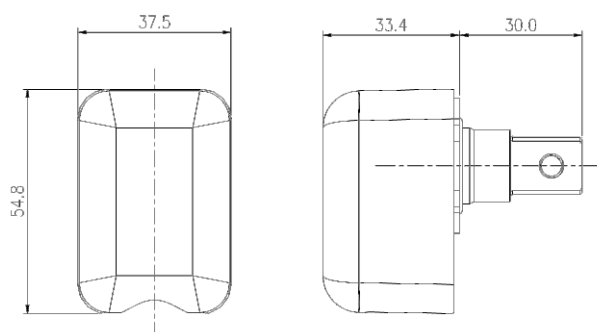
Bolt, Through hole and Threaded hole termination for easy installation

### Features

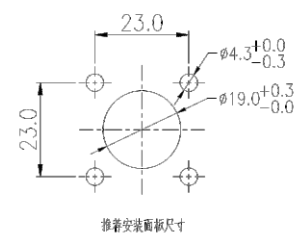
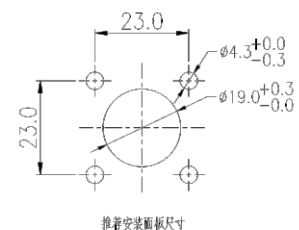
- IP 67 rated, unmated ;
- Colorful polarity
- Straight or R/A termination
- 4 mounting holes

Technical Specification	
Rated current	300A MAX.
Rated voltage	1000V DC
Withstand voltage	3000V AC
Insulation resistance	≥1000MΩ (DC500V)
Salt spray	48 hours
IP rating	IP67 unmated
Operating temp	-40°C to 125°C
Contact	Copper alloy
Flammability	UL94V0

ADEHB Type C terminal dimension:



ADEHB Type C terminal panel mounting dimension :



## ADFTC Type C Terminal ordering code

ADFTC Type C terminal	ADFTC	5	1	B	N	X	XX	X	
Connector type : 5= Type C ;									
Pole : 1 = Single pole ; .....									
HVIL : B = w/t HVIL ;									
Shielding : N = non-shielding ;									
Termination : .....; 6=Bolt M6 threaded ; 8=Bolt M8 threaded ;									
End termination : MX=MX Threaded hole ;									
EX=MX Threaded hole, extended end ; HX= $\phi$ X Through hole ( end through hole);									
Housing color : A=Orange ; B=Black ;									

## ADFTC Plastic HV Junction box



### ADFTC Bolt terminal connector

Energy storage application, provide high voltage, high current connection in system.

Positive and Negative, Orange(+) and Black(-) housing

Bolt, Through hole and Threaded hole termination for easy installation

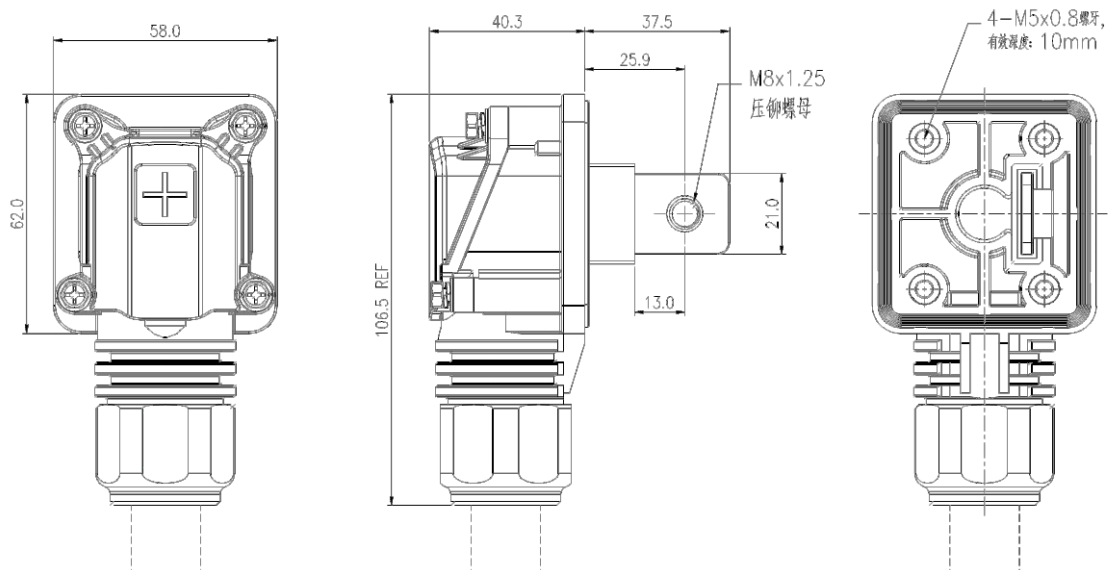
#### Features

- IP 67 rated, unmated ;
- Colorful polarity
- Straight or R/A termination

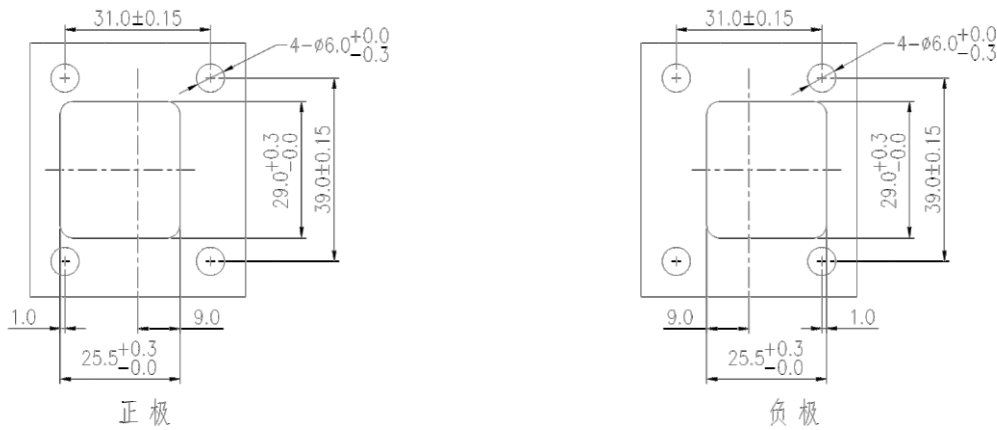
#### Technical Specification

Technical Specification	
Mating cycle	≥500 次
Cable size	35 to 70mm <sup>2</sup>
Rated current	150A to 300A
Rated voltage	1500V DC
Withstand voltage	4000V AC
Insulation resistance	≥200MΩ (DC1000V)
Salt spray	48 hours
IP rating	IP67
Operating Temp	-40°C to 125°C
Contact	Copper alloy, silver plating
Housing	PA66
Flambility	UL94V0

ADFTC plastic junction box dimension :

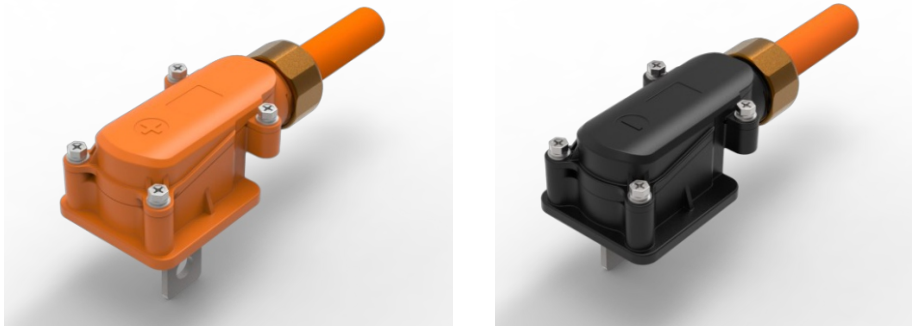


ADFTD Plastic junction box panel mounting dimension:



## ADFTD HV Junction box ordering code

ADFTD Junction Box	EHB	1	1	B	N	X	XX	X
Connector type: 2= plastic junction box								
Hole : 1 = Single hole ;								
HVIL: B = w/t HVIL ;								
Shielding: N = Non-shielding ;								
Termination: 1=bus bar through hole ; 2=threaded hole;								
Cable size: 18=35mm <sup>2</sup> ; 19=50mm <sup>2</sup> ; 20=70mm <sup>2</sup> ;								
Housing color: A=Orange ( + ) ; B=Black ( - ) ;								



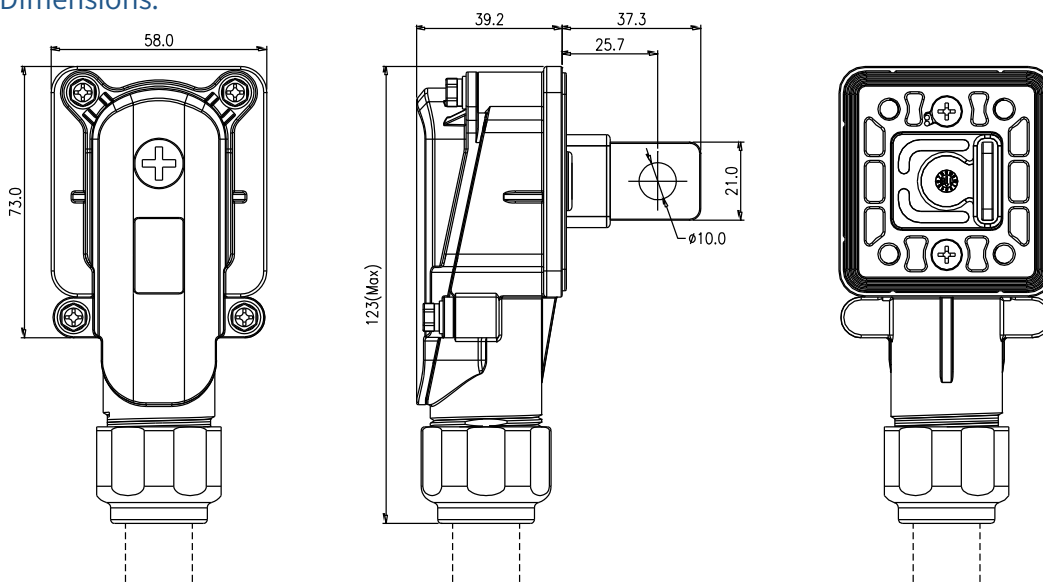
ADFTD metal high voltage junction box connector, mainly used for electric vehicle high voltage distribution box, battery, to provide stable high voltage, large current transmission between equipment; There are positive and negative points, shell color is very orange, negative is very black; The connector is connected by locking the wiring terminal, convenient installation and later maintenance; After crimping the cable, insert it into the connector for convenient operation and high efficiency. Eliminating pinhole contact mode, more reliable performance, lower cost than most high-current connectors; Product terminals have through holes, threaded holes, etc., convenient for customers to install;

### Features

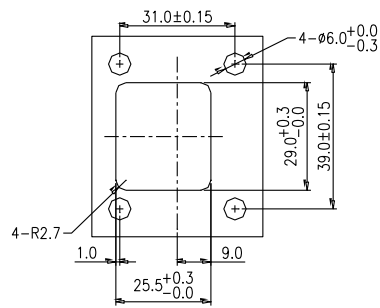
- Optional HVIL;
- Sealing IP68;
- Touch-proof design;
- Positive and negative colors are optional;

Technical Specification	
Mating cycle	≥ 500
Insertion and removal force	< 100N
Wier range	35 ~ 70mm <sup>2</sup> Shielding wire
Current rating	150A ~ 300A
Current voltage	1000V DC
Dielectric withstand voltage	3000V AC
Insulation resistance	≥200 MΩ (DC1000V)
Temperature rise	≤55 K
Salt spray	48 Hours
Degree of protection	IP68
Temperature range	-40°C ~ 125°C
Terminal	Copper alloy, silver plated
Shell	Aluminum alloy, oil injection
Flame class	UL94V0

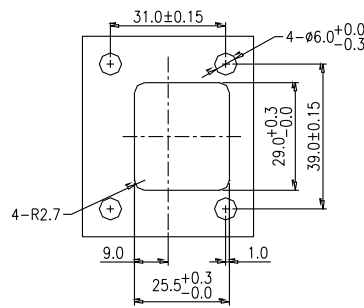
### Dimensions:



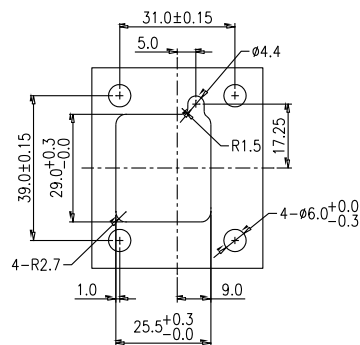
Panel mounting size:



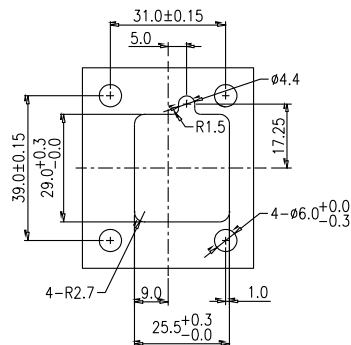
Positive without interlock



negative without interlock



Positive with interlock



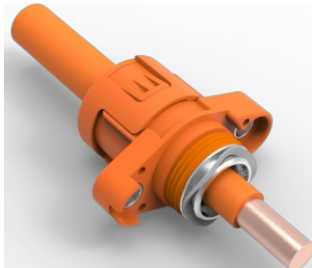
negative with interlock

## ADFTD metal high voltage junction box connector selection instructions

ADFTD wiring connector series	EHB	1	1	X	S	X	XX	X
Connector type: 1= metal junction box								
Pin : 1 = Single pin								
Interlock: L = with interlock; B = without interlocking;								
Shielding: S = shielding;								
Connection mode: 1 = copper bar through hole; 2 = copper bar threaded hole								
Applicable cable: 18=35 mm <sup>2</sup> ; 19 = 50 mm <sup>2</sup> ; 20 = 70 mm <sup>2</sup>								
Shell color: A= orange (positive); B= black (negative);								



ADECT plastic type-A through hole connector (25 ~70mm<sup>2</sup>)



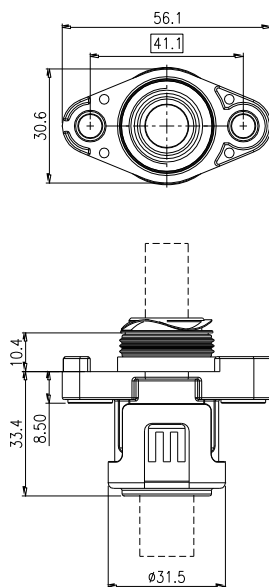
ADECT plastic Type-A through-hole connector , economical and low cost solution. Suitable for motors, inverters, batteries, DC/DC converters.

### Features

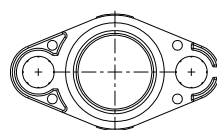
- 1 to 3 cores available;
- Plastic shell, light weight;
- Simple installation, reliable connection;
- IP67 (after installation);
- Excellent shielding effect.

Technical Specification	
connection Type	Crimp
Wire range	25 ~ 70mm <sup>2</sup> Shielded wire 25 ~ 70mm <sup>2</sup> Unshielded wire
Current rating	120A ~ 250A
Voltage rating	1000V DC
Insulation resistance	≥ 200M Ω ( DC1000V )
Dielectric withstand voltage	3000V AC
EMI	360° Shielding
Degree of protection	IP67 ( Mated )
Temperature range	-40°C 至 +125°C
Shell	PA66
Flame class	UL94V0

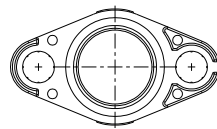
### 1-hole dimensions



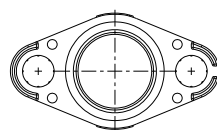
### Codings



Code A

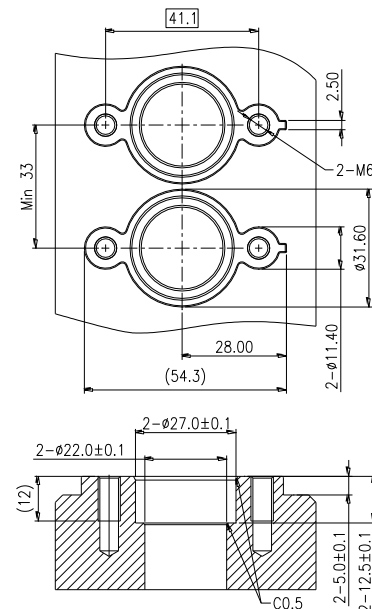


Code B

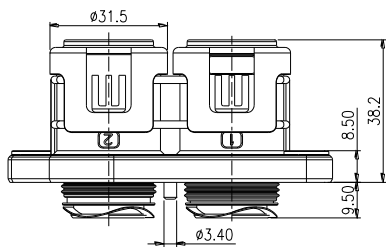
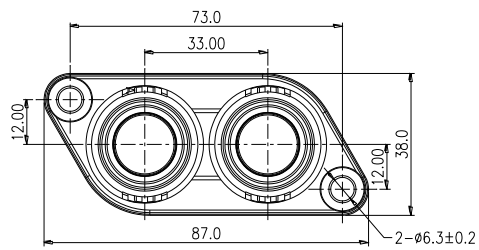


Code C

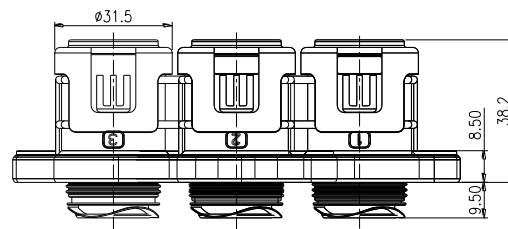
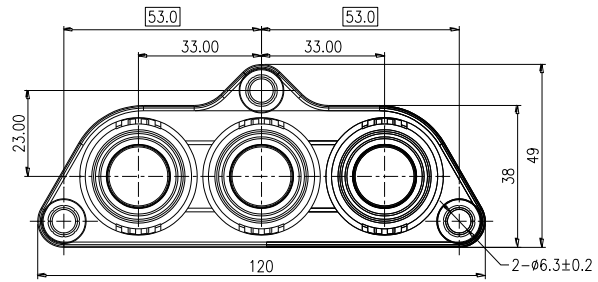
### panel mounting size:



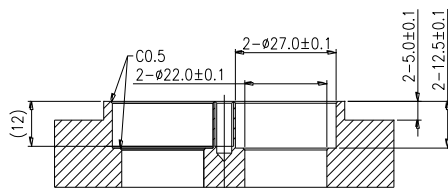
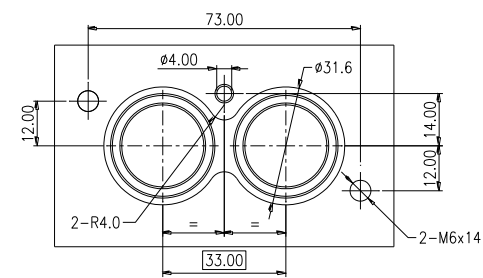
## 2-hole dimensions



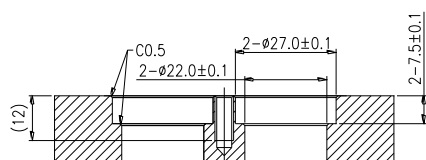
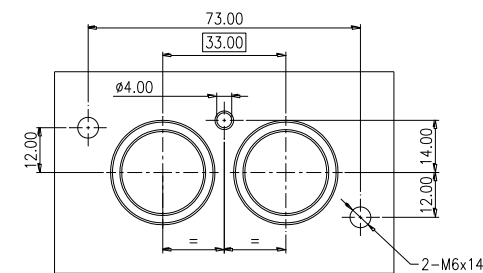
## 3-hole dimensions



## 2-hole panel mounting size

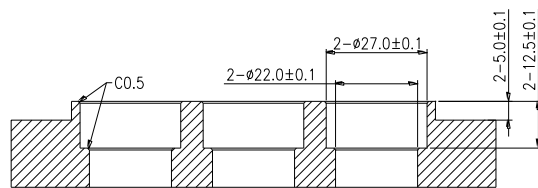
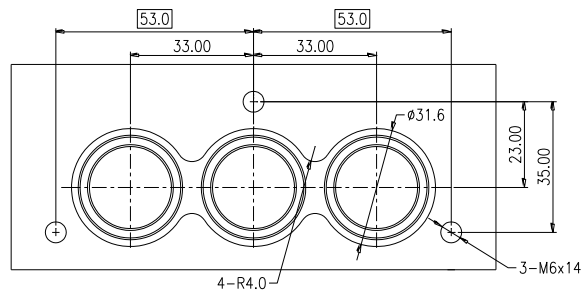


TYPE 1

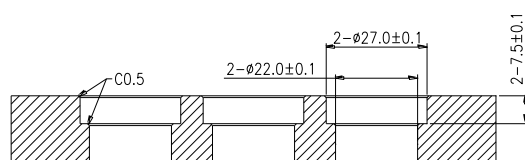
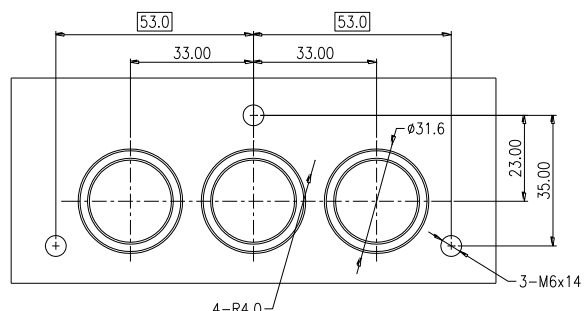


TYPE 2

## 3-hole panel mounting size



TYPE 1

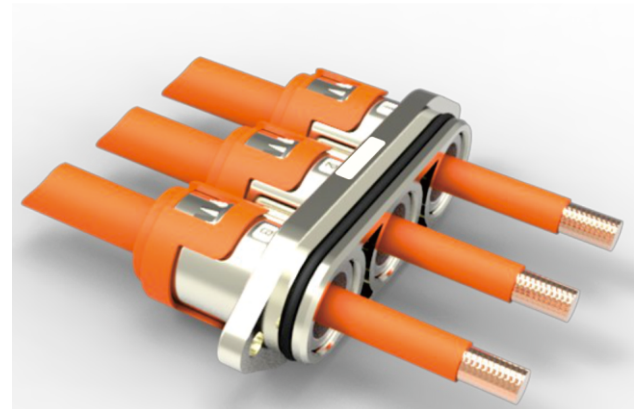
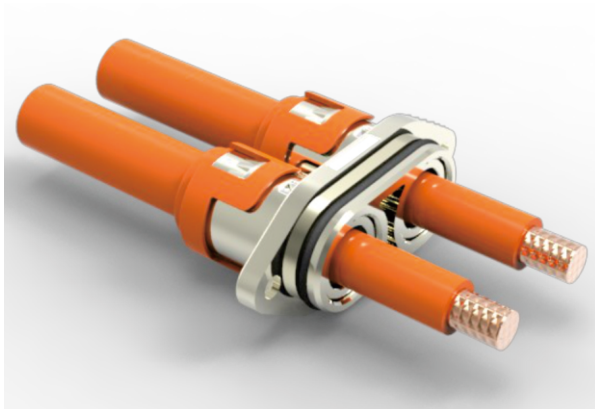


TYPE 2

ADECT plastic type-A through-hole connector selection instructions

ADECT through hole connector series	ADECT	X	X	XX	X			
Connector Type: 2=Plastic TYPEA shielding model; 4=Plastic TYPEA unshielded;								
Holes : 1=1-hole ; 2=2-hole ; 3=3-hole ;								
Cable mm <sup>2</sup> : 17 = 25 mm <sup>2</sup> ; 18 = 35 mm <sup>2</sup> ; 19 = 50 mm <sup>2</sup> ; 20 = 70 mm <sup>2</sup> ;								
Codings: A = Code A; B = Code B; C = Code C; ...								

## ECT metal type-A through-hole connector (16-25 mm<sup>2</sup>)



ECT Metal through-hole connector, economical and low cost solution. Suitable for motors, inverters, batteries, DC/DC converters.

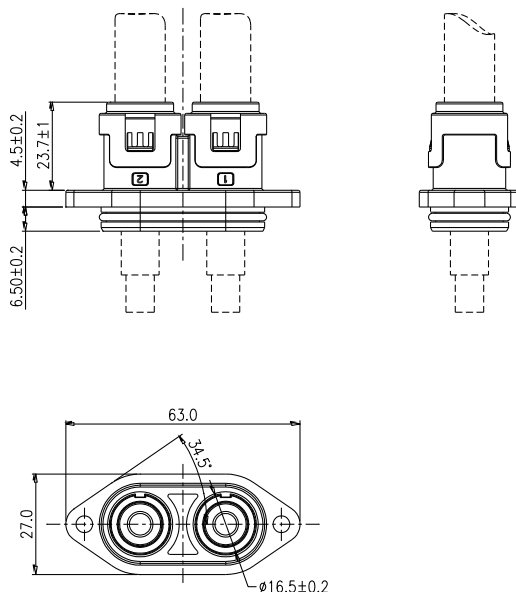
### Features

- 2 to 3 cores optional;
- Aluminum alloy shell, light weight;
- Simple installation, reliable connection;
- Protection class IP67 (after installation);
- Excellent shielding effect.

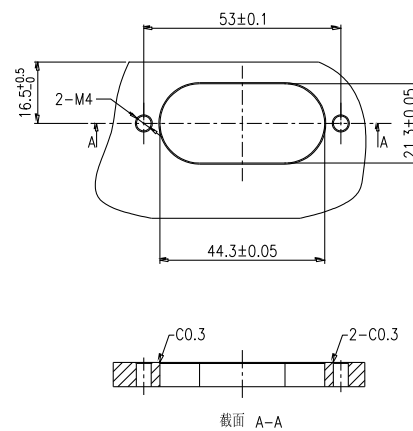
### Technical Specification

Technical Specification	
connection Type	Crimp
Wire range	16 ~ 25mm <sup>2</sup> Shielded wire
Current rating	80A ~ 120A
Voltage rating	1000V DC
Insulation resistance	≥ 200M Ω ( DC1000V )
Dielectric withstand voltage	3000V AC
EMI	360° Shielding
salt spray	48 hours
Degree of protection	IP67 ( Mated )
Temperature range	-40°C ~ +125°C
Shell	Aluminium alloy
Flame class	UL94V0

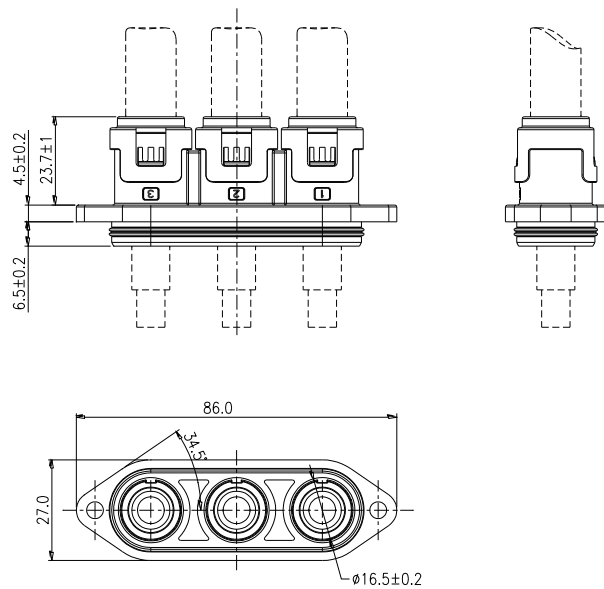
### 2-Hole dimensions



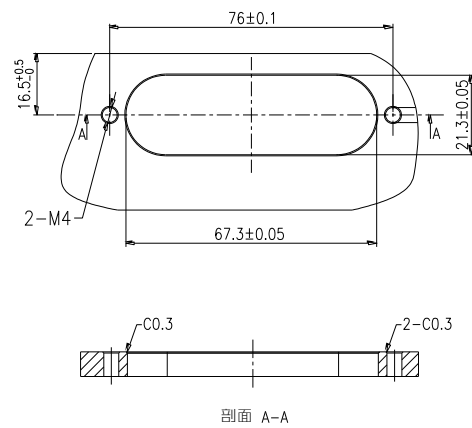
### 2-Hole Panel Mounting Size



### 3-Hole Dimensions



### 3-Hole Panel Mounting Size



### ADECT metal type-A through hole connector selection instructions

ADECT through hole connector series	ADECT	1	X	XX	X
Connector Type: 1= metal;					
Holes: 2 = two holes; 3 = 3 hole;					
Cable mm <sup>2</sup> : 16 = 16 mm <sup>2</sup> ; 17 = 25 mm <sup>2</sup> ;					
Codings: A = code A; B = code B; C = code C ;					

## ADECT metal type-B through-hole connector (2.5-10 mm<sup>2</sup> lines)



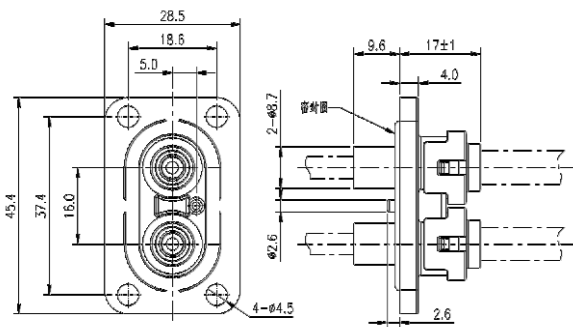
ADECT metal type-B through-hole connector, economical and low cost solution. Suitable for PTC, PDU, DC/DC converter, etc.

### Features

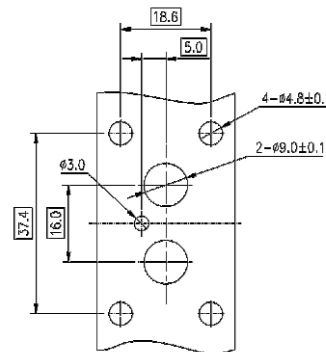
- Aluminum alloy shell, light weight;
- Simple installation, reliable connection;
- IP67 (after installation);
- Excellent shielding effect.

Technical Specification	
connection Type	Crimp
Wire range	2.5 ~ 6mm <sup>2</sup> Shielded wire 2.5 ~ 10mm <sup>2</sup> Unshielded wire
Current rating	16A ~ 35A ( Shielding ) 16A ~ 65A (Unshielding)
Voltage rating	1000V DC
Insulation resistance	≥ 200MΩ ( DC 1000V)
Dielectric withstand voltage	3000V AC
EMI	360° Shielding
salt spray	48 hours
Degree of protection	IP67 ( Mated)
Temperature range	-40°C ~ +125°C
Shell	Aluminium alloy
Flame class	UL94V0

### 2-Hole Dimensions



### 3-Hole Panel Mounting Size



## ADECT metal B-type through-hole connector selection

ADECT through hole connector series	ADECT	3	2	XX	X
Connector Type: 3= Shielded; 5= unshielded;					
Holes : 2-Holes ;					
Cable mm <sup>2</sup> : 12 = 2.5 mm <sup>2</sup> ; 13 = 4 mm <sup>2</sup> ; 14 = 6 mm <sup>2</sup> ; 15 = 10 mm <sup>2</sup> ;					
Codings: A = code A; B = code B; C = code C ;					

## ADECT Metal Type A 3 poles through-hole connector



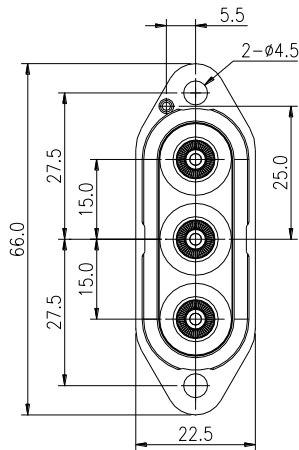
Metal Type-A 3 pole through-hole connector, current up to 16A, crimping 2.5mm<sup>2</sup> shielded cable, it is A reliable connection solution for electric and hybrid vehicles.

### Features

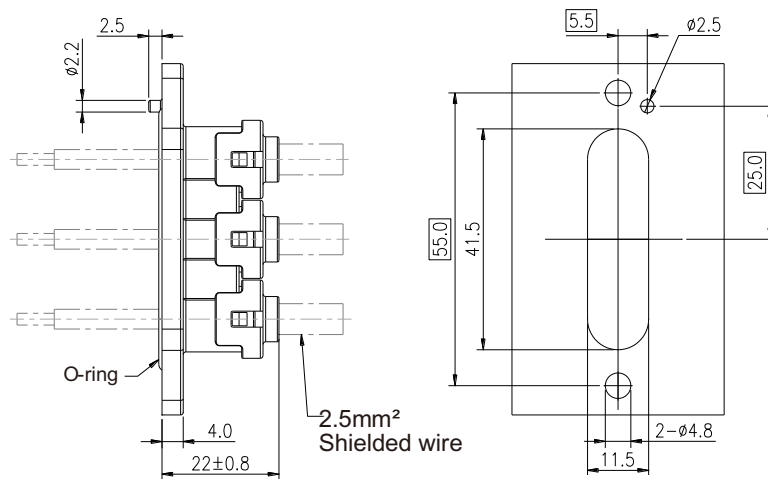
- Aluminum alloy shell;
- Simple installation, reliable connection;
- Protection class IP67 (installation status) ;
- Excellent shielding effect.

Technical Specification	
connection Type	Crimp
Wire range	2.5mm <sup>2</sup> Shielded wire
Current rating	16A Max
Voltage rating	1000V DC
Insulation resistance	≥ 200MΩ ( DC 1000V)
Dielectric withstand voltage	3000V AC
EMI	360° Shielding
salt spray	48 hours
Degree of protection	IP67 ( Mated)
Temperature range	-40°C ~ +125°C
Shell	Aluminium alloy
Flame class	UL94V0

### 3-Holes Dimensions



### Panel mounting size:



## Metal type-A 3 pole through-hole connector

Metal a-Type3 Pin through -hole connector	ADECT	1	3	12	A
Connector Type: 1= Metal TYPE A;					
Holes : 3-Holes;					
Cable mm <sup>2</sup> : 12=2.5 mm <sup>2</sup>					
Codings A = Code A;					

# ADEHV metal high voltage connector

## ADEHV metal high voltage connector (16-35 mm<sup>2</sup>)



ADEHV metal high voltage connector, the current up to 150A, crimping 16 to 35 mm<sup>2</sup> cable, is a reliable connection solution for electric and hybrid vehicles.

### Features

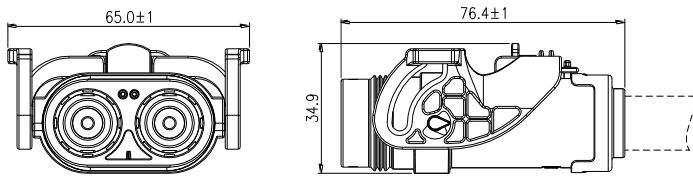
- CPA;
- Built-in integrated HVIL;
- Rated current 150A max;
- Handle lock/unlock;
- IP67 (Mated) ;
- Touch-proof design;
- Three keys are optional;

Technical Specification	
Mating cycle	≥ 200 Cycles
Insertion and removal force	< 100N
Wire range	16 ~ 35mm <sup>2</sup> Shielded wire
Current rating	150A Max
Voltage rating	1000V D C
Dielectric withstand voltage	3000V AC
Insulation resistance	≥ 200M Ω ( DC1000V)
Temperature rise	≤55 K
EMI	360° Shielding
Salt spray	48 Hous
Degree of protection	IP67 ( Mated)
Temperature range	-40°C ~ +125°C
Terminal	Copper alloy silver plated
Shell	Aluminum alloy
Flame class	UL94 V0

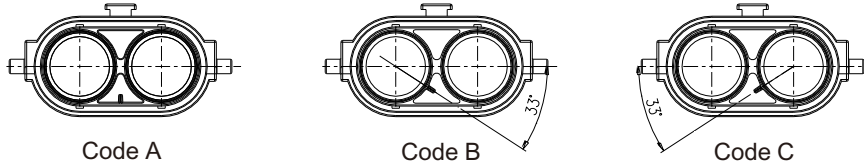


# ADEHV metal high voltage connector

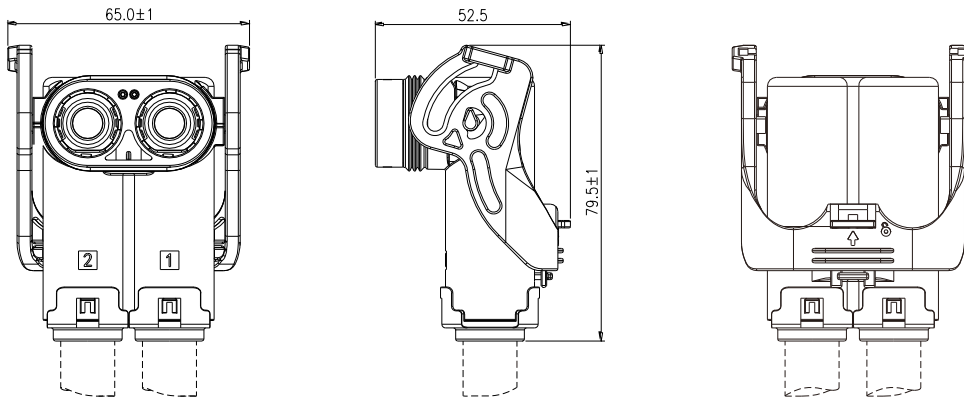
## 2 pole 180deg plug dimensions



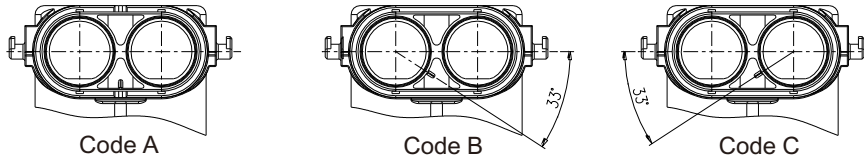
## 2 pole 180deg plug codings :



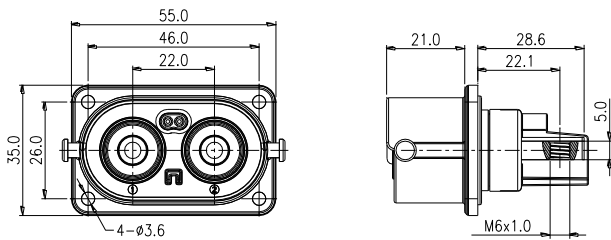
## 2 pole 90deg plug dimensions



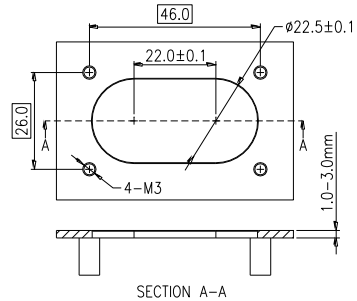
## 2 pole 90deg plug codings :



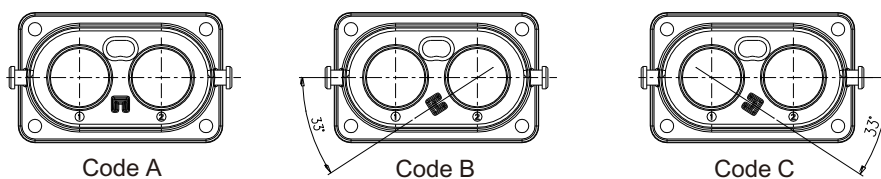
## 2 pole socket Dimensions:



## 2 pole socket panel mounting dimensions:

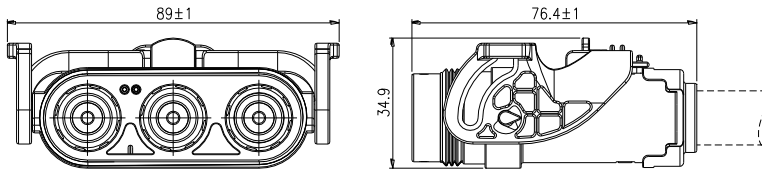


## 2 pole socket codings :

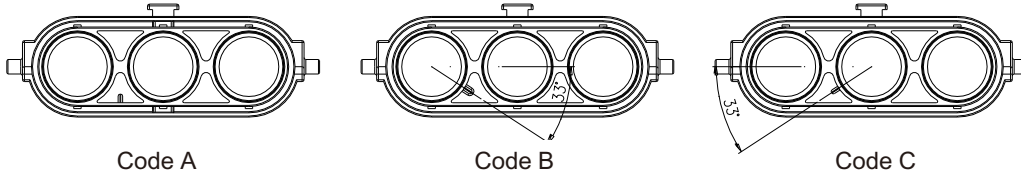


# ADEHV metal high voltage connector

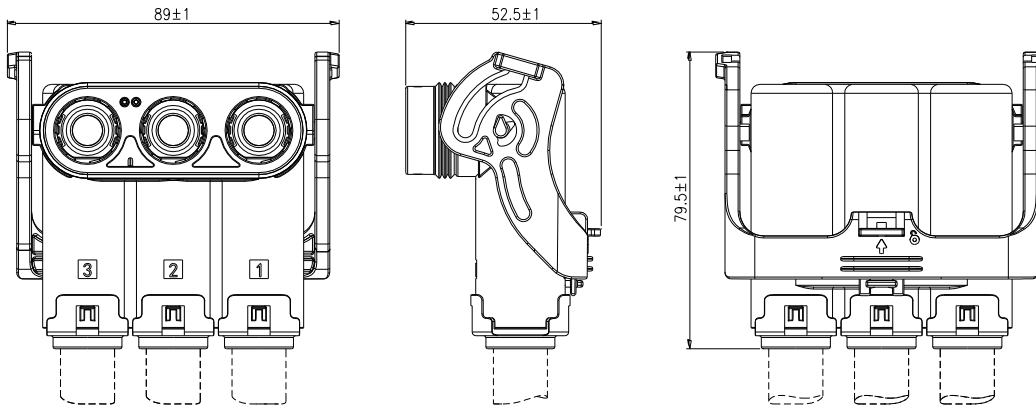
## 3 pole 180deg plug dimensions



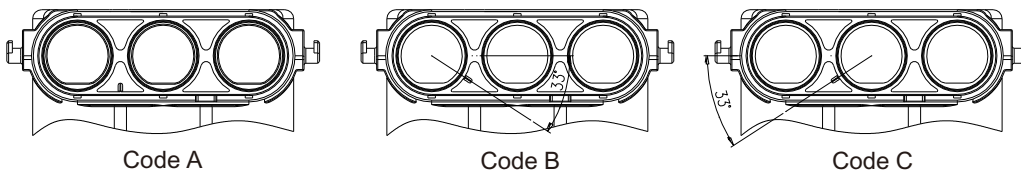
## 3 pole 180deg plug codings



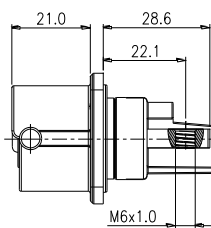
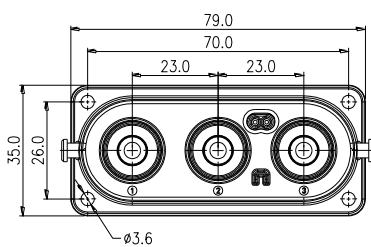
## 3 pole 90deg plug dimensions



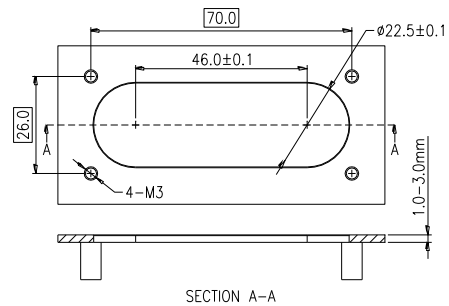
## 3 pole 90deg plug codings



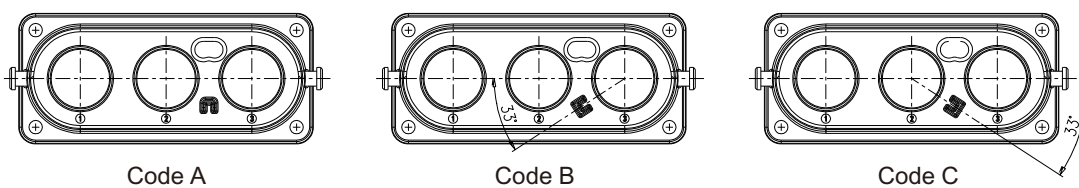
## 3 pole socket dimensions



## 3 pole socket panel mounting size:



## 3 pole socket codings



# ADEHV Metal high voltage connector

## ADEHV metal high voltage connector selection instructions

ADEHV high voltage connector series	ADEHV	X	1	X	X	X	XX	XX	X
Pins: 2= 2 Pins; 3 = 3 Pins									
Shell material: 1 = metal standard Type									
Plug/Socket Definition: 1= 180deg plug (lock handle); 2= socket (flange); 3=90deg plug (lock handle); 4= Plastic socket (flannel, only 2 pins optional)									
Interlocking status: L = interlocking; B = without interlocking;									
Shielding: S = shielding; N = unshielded (plug only);									
Applicable terminal specifications: 19=6mm; 20 = 8 mm;									
Tail connection mode (plug refers to cable cross-sectional area, socket refers to tail hole Type) : Plug: 16=16 mm <sup>2</sup> ; 17 = 25 mm <sup>2</sup> ; 18 = 35 mm <sup>2</sup> ; Socket: crimping hole = consistent with plug number; MX=MX copper bar threaded hole; HX = ΦX hole;									
Codings : A=Code A ; B=Code B ; C=Code C ;									

# ADEHV plastic Type-B 2 pole high voltage connector

ADEHV plastic Type-B 2 pole high voltage connector (16-50 mm<sup>2</sup> )



ADEHV plastic type-B 2 pole high voltage connector, the current up to 200A, crimped 16-50 mm<sup>2</sup> cable, is a reliable connection solution for electric and hybrid vehicles.

## Features

- HVIL (optional);
- Maximum rated current 200A,
- Handle lock/unlock;
- IP67 (Mated)
- Touch-proof design;
- Three keys are optional;

## Technical Specification

Technical Specification	
Mating Cycle	≥ 200 Cycles
Insertion and removal force	< 100N
Wire Range	16 ~ 50mm <sup>2</sup> Unshielded
Current rating	200A Max
Voltage rating	1000V DC
Dielectric withstand voltage	3000V AC
Insulation resistance	≥ 200M Ω ( DC 1000V)
Temperature rise	≤55 K
Salt spray	48 hours
Degree of protection	IP67 ( Mated )
Temperature range	-40°C ~ +125°C
Terminal	Copper alloy ,silver plated
Shell	PA66 \ Aluminium alloy
Flame class	UL94 V0

# ADEHV plastic Type-B 2 pole high voltage connector

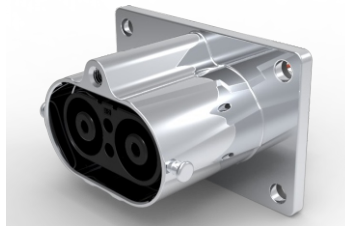
## ADEHV plastic Type-B 2 pole high voltage connector selection instructions

ADEHV high voltage connector series	2	3	X	X	N	XX	XX	X
Pins: 2= 2 Pins;								
Shell material: 3 = plastic B Type								
Plug/Socket definition: 1= 180deg plug (lock handle);								
Interlocking status: L = interlocking; B = without interlocking;								
Unshielding : N = Unshielded ;								
Applicable terminal specifications: 19=6mm; 20 = 8 mm;								
Tail connection mode (plug refers to cable cross-sectional area, socket refers to tail hole Type) : Plug: 16=16 mm <sup>2</sup> ; 17 = 25 mm <sup>2</sup> ; 18 = 35 mm <sup>2</sup> ; 19 = 50 mm <sup>2</sup>								
Codings : A=Code A ; B=Code B ; C=Code C ;								

※ Corresponding socket selection: ADEHV metal 2 Pin socket. Please consult our sales staff for details.

# ADEHV metal High voltage connector

## ADEHV metal High voltage connector (35-50 mm<sup>2</sup> )



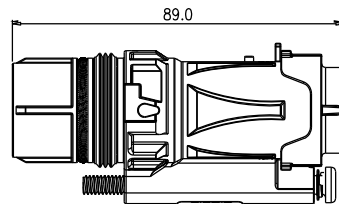
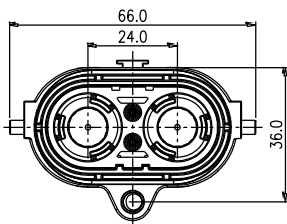
ADEHV metal high voltage connector, the current up to 200A, crimping 35 to 50mm<sup>2</sup> cable, is a reliable connection solution for electric and Hybrid vehicle

### Features

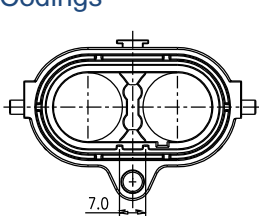
- Built-in integrated HVIL;
- Maximum rated current 200A;
- Bolt locking/unlocking;
- IP67 (Mated);
- Touch-proof design;
- Three keys are optional;

Technical Specification	
Mating cycle	≥ 200 Cycles
Insertion and removal force	< 100N
Wire range	35 ~ 50mm <sup>2</sup> Shielded wire
Current rating	200A Max
Voltage rating	1000V D C
Dielectric withstand voltage	3000V AC
Insulation resistance	≥ 200M Ω ( DC1000V)
Temperature rise	≤55 K
EMI	360° Shielding
Salt spray	48 Hous
Degree of protection	IP67 ( Mated)
Temperature range	-40°C ~ +125°C
Terminal	Copper alloy silver plated
Shell	Aluminum alloy
Flame class	UL94 V0

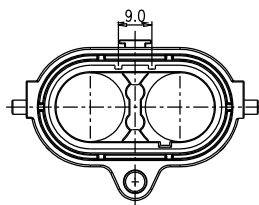
### plug Dimensions:



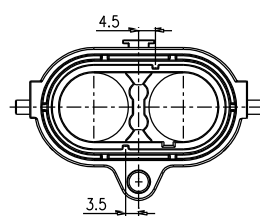
### Codings



Code A



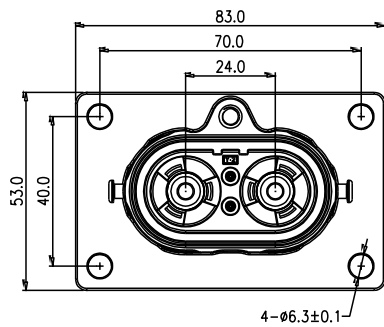
Code B



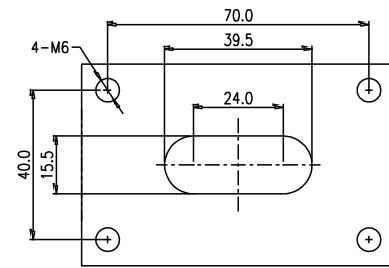
Code C

# ADEHV metal High voltage connector

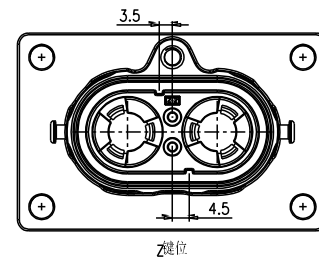
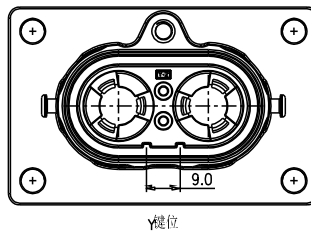
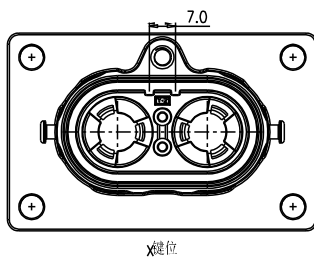
Socket Dimensions:



Panel mounting size



Codings:

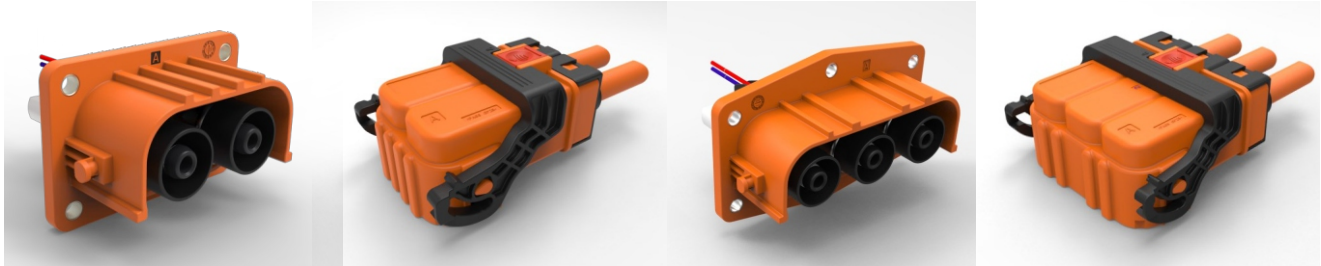


## ADEHV metal high voltage connector selection instructions

ADEHV high voltage connector series	ADEHV	2	1	X	X	X	XX	XX	X
Pins: 2=2 pins;									
Shell material: 1 = metal standard Type;									
Plug /Socket Definition: 2= socket (flange); 5= 180deg plug (bolt locking);									
Interlocking status: L = interlocking; B = without interlocking;									
Shielding: S = shielding; N = unshielded (plug only);									
Applicable terminal specifications: 22=10mm;									
Tail connection mode (plug refers to cable cross-sectional area, socket refers to tail hole Type): Plug: 18=35 mm <sup>2</sup> ; 19 = 50 mm <sup>2</sup> ; Socket: crimping hole = consistent with plug number; MX=MX copper bar threaded hole; HX = ΦX hole;									
Codings : : X=Code X ; Y=Code Y ; Z=Code Z ;									

# ADEHV plastic high voltage connector

## ADEHV plastic type-A high voltage connector (35-50 mm<sup>2</sup> )



ADEHV plastic A type high voltage connector, the product is vehicle mounted high voltage inter-lock connector, rated current up to 150A-200A, crimping 35 to 50 mm<sup>2</sup> cable, is suitable for motor controller, PDU, battery and other equipment strong current connection of reliable solution.

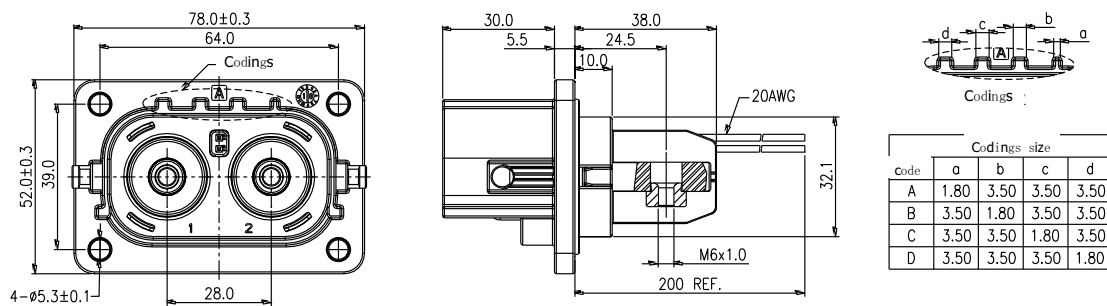
### Features

- CPA
- Built-in integrated HVIL;
- Maximum rated current 200A;
- Handle lock/unlock;
- IP67(Mated);
- Touch-proof design;
- Four anti-misinsertion keys are optional;

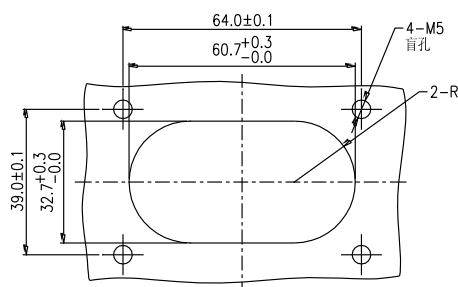
### Technical Specification

Mating Cycle	≥ 200 Cycles
Insertion and removal force	< 100N
Wire Range	35 ~ 50mm <sup>2</sup> Shielding wire
Current rating	150A ~ 200A
Voltage rating	1000V DC
Dielectric withstand voltage	3000V AC
Insulation resistance	≥200 MΩ (DC1000V)
Temperature rise	≤55 K
EMI	360 ° Shielding
Salt spray	48 hours
Degree of protection	IP67 (Mated)
Temperature range	-40°C ~ 125°C
Terminal	Coppo alloy , silver plated
Shell	PA66
Flame class	UL94V0

### socket Dimensions:



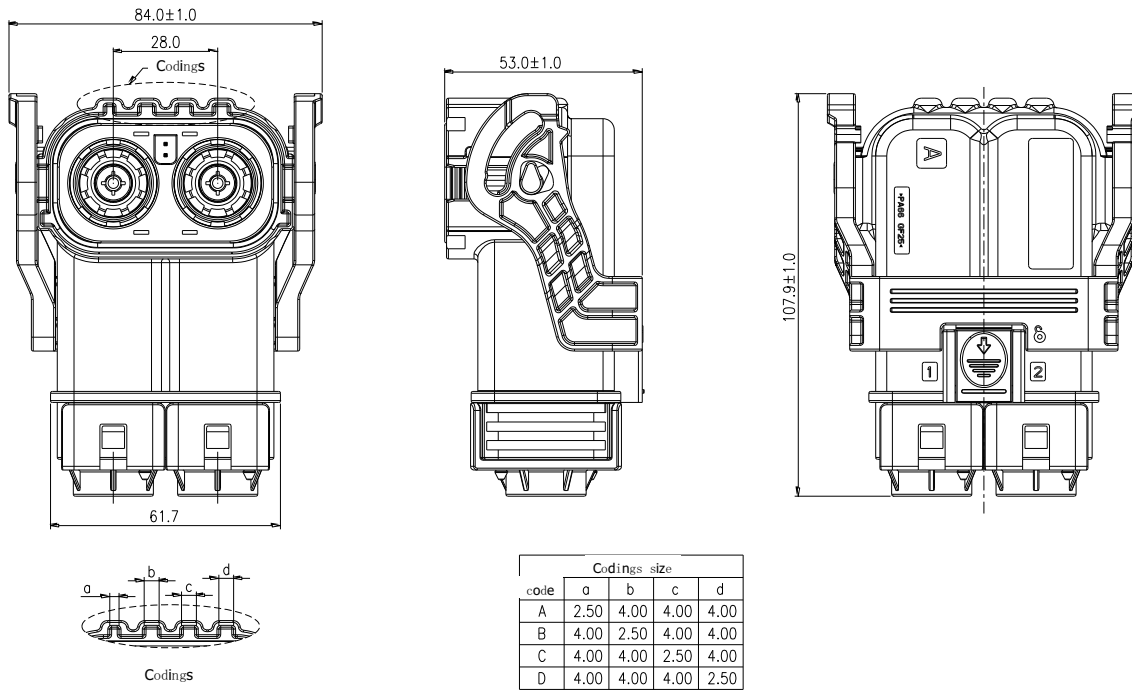
### Panel mounting size:



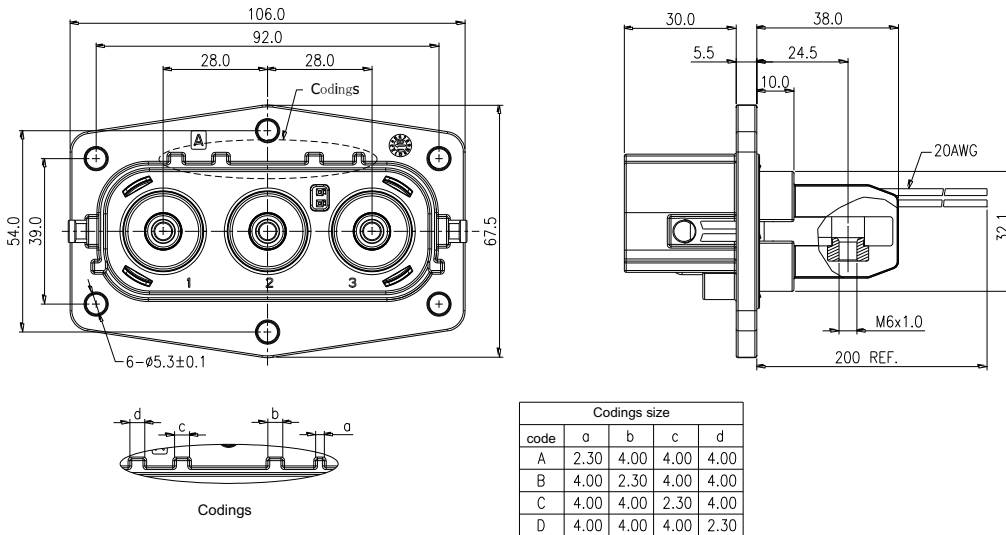


# ADEHV plastic type-A high voltage connector

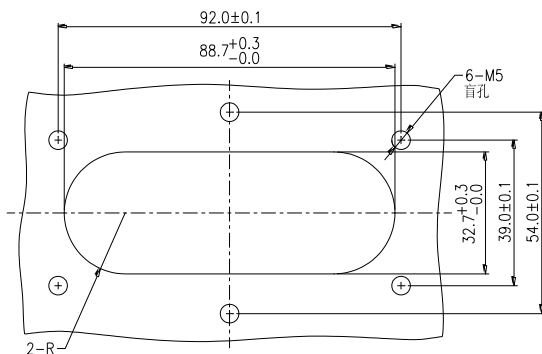
## 2 pole 90deg plug dimensions:



## 3 poles socket dimensions:

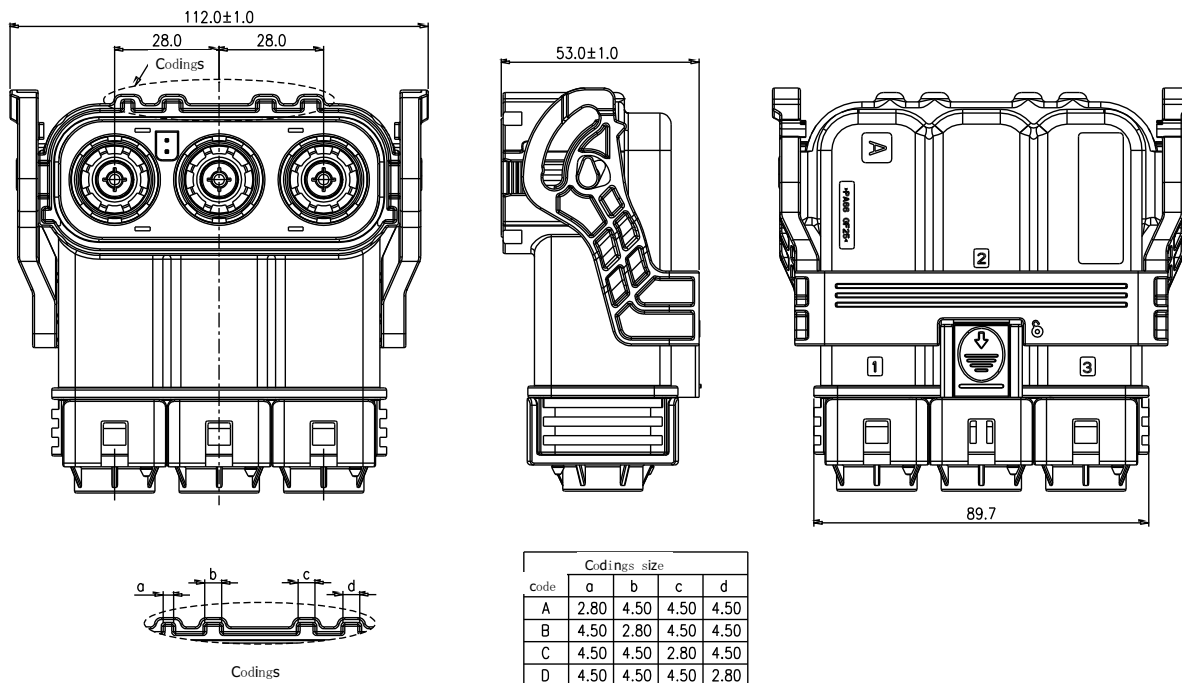


## 3 poles panel mounting size:



# ADEHV plastic type-A high voltage connector

## 3 Pin 90deg plug dimensions

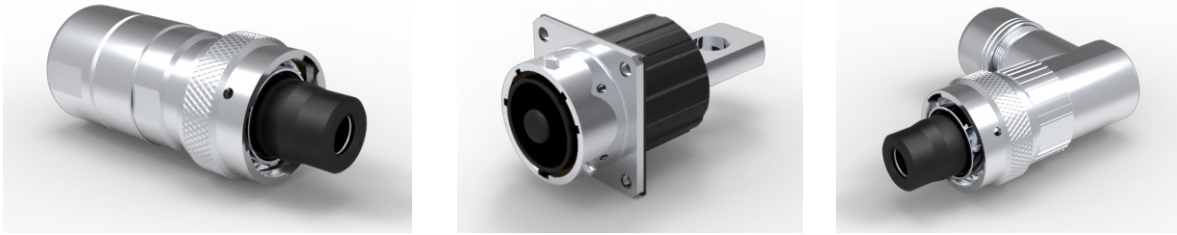


## ADEHV plastic A-Type high voltage connector selection instructions

ADEHV high voltage connector series	ADEHV	X	2	X	X	X	XX	XX	X
Pins: 2= 2pins ; 3 =3pins									
Shell material: 2 = plastic TYPE A;									
Plug / Socket Definition: 2= socket (flange); 3= bend plug (handle lock);									
Interlocking status: L = interlocking; B = without interlocking;									
Shielding: S = shielding; N = without shielding;									
Applicable terminal specifications: 22=10mm;									
Tail connection mode (plug refers to cable cross-sectional area, socket refers to tail hole Type) :									
Plug: 18=35 mm <sup>2</sup> ; 19 = 50 mm <sup>2</sup> ;									
Socket: crimping hole = consistent with plug number; MX=MX copper bar threaded hole;									
HX = ΦX hole; BX=BX copper thread hole;									
Codings : A= Code A ; B =Code B; C =Code C; D=Code D;									

# ADEHP metal single core high voltage connector

## ADEHP metal single core high voltage connector



ADEHP metal single-core high-voltage connectors are-vehicle mounted high voltage interlocking connectors with rated current up to 120A to 180A and crimp 25 to 50 mm<sup>2</sup> cables. They are reliable solutions for strong current connection of motor controllers, pduc, and batteries.

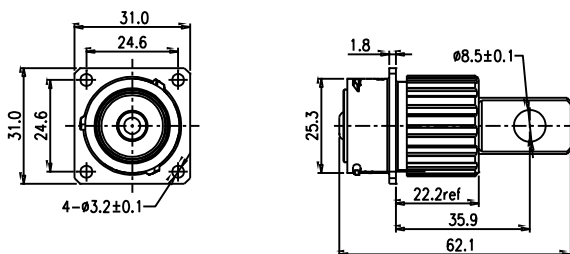
### Features

- Maximum rated current 180A;
- Blind bayonet locking;
- IP67 (Mated);
- Touch-proof design;
- Five keys are optional;

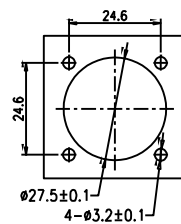
### Technical Specification

Mating cycle	≥ 200 Cycles
Insertion and removal force	< 100N
Wire range	25 ~ 50mm <sup>2</sup> Shielded wire
Current rating	120 ~ 180A
Voltage rating	800V DC
Dielectric withstand voltage	3000V AC
Insulation resistance	≥ 200M Ω (DC1000V)
Temperature rise	≤55 K
EMI	360°Shielding
Salt spray	48 Hours
Degree of protection	IP67 ( Mated )
Temperature range	-40°C ~ +125°C
Terminal	Copper alloy silver plated
Shell	Aluminum alloy
Flame class	UL94V0

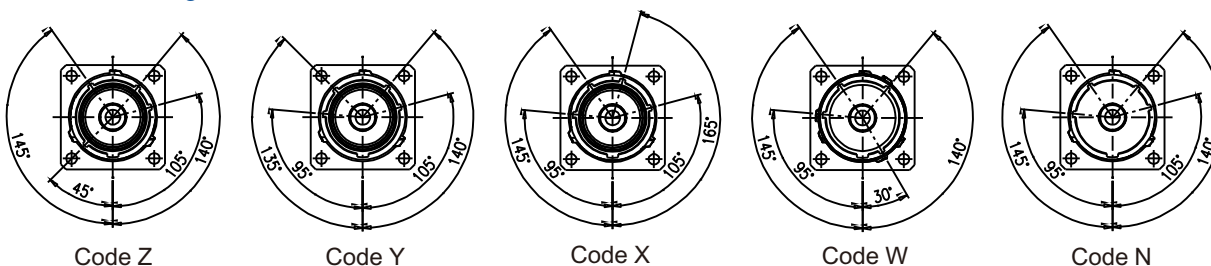
### socket dimensions:



### Panel mounting dimensions

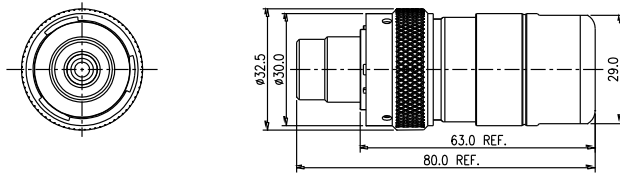


### Socket codings

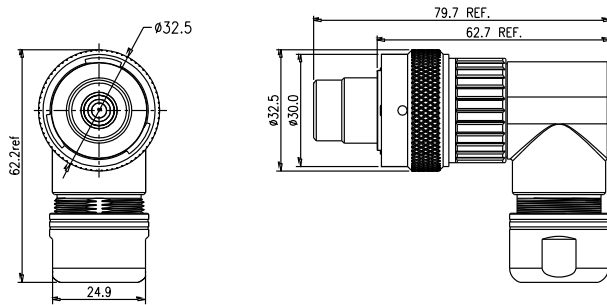


# ADEHP metal single core high voltage connector

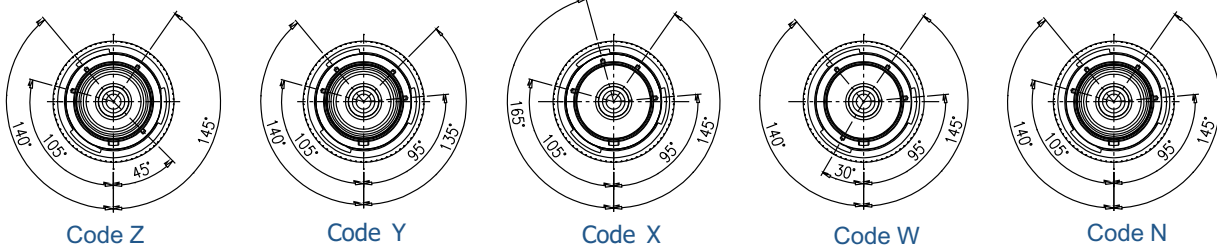
## 180deg Plug dimensions:



## 90deg plug dimensions:



## Plug codings



## EHP metal single core high voltage connector selection instructions

EHP high voltage connector series	EHP	1	1	X	B	X	XX	XX	X
cores: 1= single core;									
Shell material: 1 = metal;									
Plug / Socket Definition: 1= 180deg plug; 2= socket (flange); 3=90deg plug;									
Interlocking condition: B = no interlocking;									
Shielding: S = shielding; N = unshielded (plug only);									
Applicable terminal specifications: 20=8mm;									
Tail connection mode (plug refers to cable cross-sectional area, socket refers to tail hole Type): Plug: 17=25 mm <sup>2</sup> ; 18 = 35 mm <sup>2</sup> ; 19=50 mm <sup>2</sup> (direct plug only optional); Socket: MX=MX copper bar threaded hole; HX = ΦX hole;									
Codings : N=Code N ; W=Code W ; X=Code X ; Y=Code Y ; Z=Code Z ;									

## ADEBC 4+2+1+13



ADEBC 4+2+1+13 battery swap connector

ADEBC 4+2+1+13 battery connector, the power terminal is designed as 2 pairs, single pairs terminal current is rated to 200A, and the highest rated current of 350A can be met through combined parallel connection.

The low-voltage auxiliary power supply can be rated at 50A. Support up to 13 signal contact, can be combined in any combination according to customer needs to meet the needs of energy storage systems.

Provide stable power and good signal transmission between equipment modules.

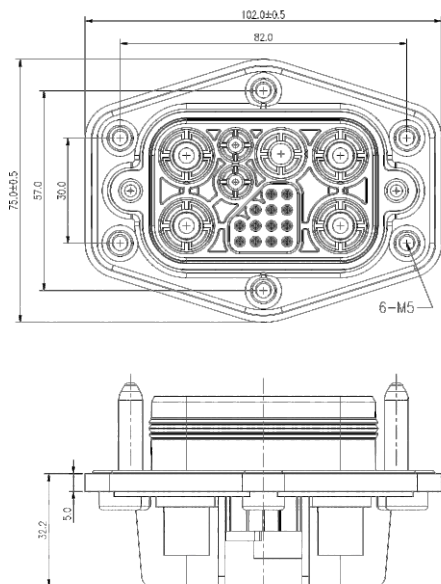
Crimp termination is easy for installation and maintenance.

### Features

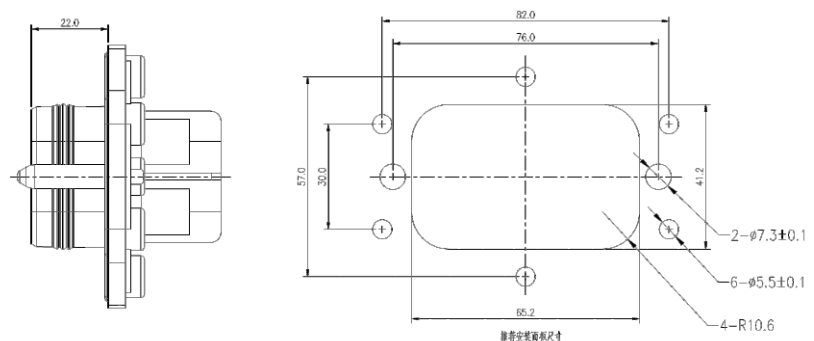
- Up to 200A( single pair), 350A (double pair)
- Touch proof
- Self floating and deviation
- Self-alignment
- Customized terminal termination

Technical Specification	
Mating cycle	≥ 100
Cable size	Power pin: 35-50mm <sup>2</sup> Signal pin: 0.35-0.8mm <sup>2</sup> Low voltage aux: 4mm <sup>2</sup>
Rated current	200A ( single pair) 350A( double pair)
Rated voltage	1500V DC
Withstand voltage	4000V AC( power pin)
Salt spray	48 hours
Operation temperature	IP67(mated)
IP rating	-40°C to +125°C
Terminal	Copper alloy, silver plating
Housing	High strength plastic
Flammability	UL94V0

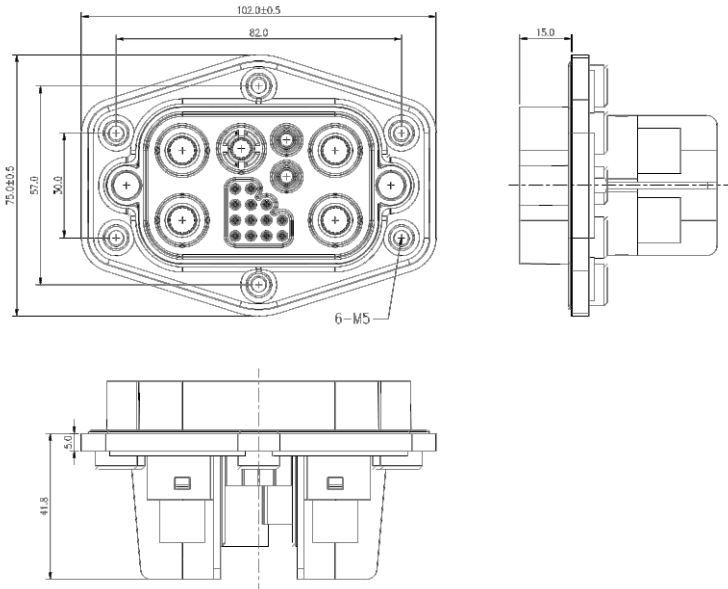
Battery swap connector plug dimension



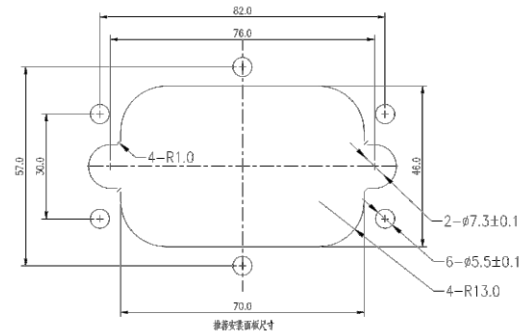
Battery swap connector receptacle dimension



Battery swap connector panel mounting dimension



Battery swap connector panel mounting dimension



## ADEBC 4+2+1+13 ordering code

ADEBC battery swap connector	ADEBC	1	X	4113	20	XX	X
Type: 1=plastic							
Definition: 4=plug(back panel), 5= straight receptacle (back panel)							
Terminal: 4113=4+1+13 (power, ground, signal)							
Terminal size: 20=8mm (only to Power pin)							
Termination (plug means cable size, receptacle means thread size) Plug: 17=25mm <sup>2</sup> ; 18=35mm <sup>2</sup> ; 19=35mm <sup>2</sup> (only apply to power pin) MX=MX thread size(M6, M8) Receptacle: refer to plug ordering code							
Low voltage aux, A=A type(none), B=B type(low voltage aux 1pin), C=C type (low voltage aux 2 pins)							

## ADEBC 2+1+12 battery swap connector



## ADEBC 4+2+1+13 battery swap connector

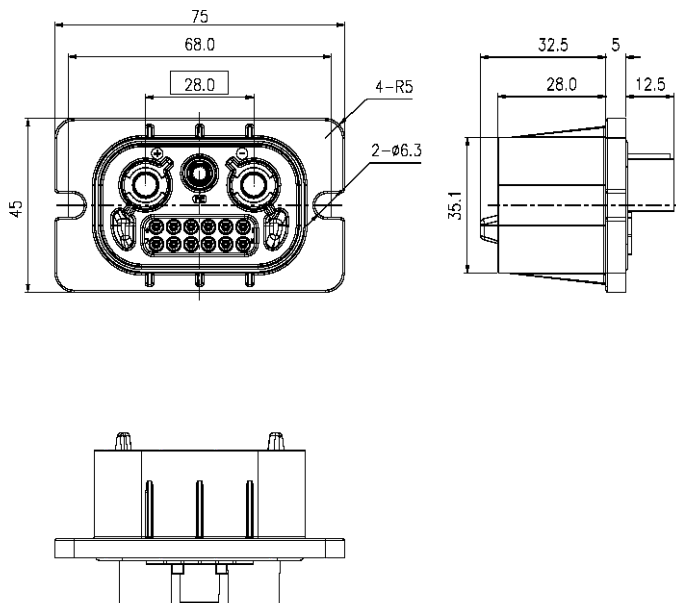
ADEBC 2+1+12 battery connector, rated to 120A, with up to 12 signal terminals, meets the need of home energy storage systems, provide stable current and good signal transmission between equipment modules. Crimp termination is easy for installation and maintenance.

### Features

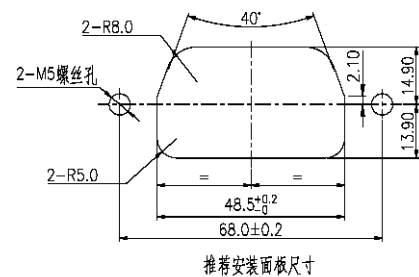
- Up to 120A
- Touch proof
- Self floating and deviation
- Self-alignment
- Customized terminal termination

Technical Specification	
Mating cycle	≥3000
Cable size	6mm <sup>2</sup> unshielded cable
Rated current	50A
Rated voltage	1000V DC
Withstand voltage	3000V AC( power pin)
Salt spray	48 hours
Insulation resistance	3000V AC (power pin)
IP rating	IP67(mated)
Operation temperature	-40°C to +125°C
Terminal	Copper alloy, silver plating
Housing	High strength plastic PA66
Flammability	UL94V0

### Battery swap connector plug dimension

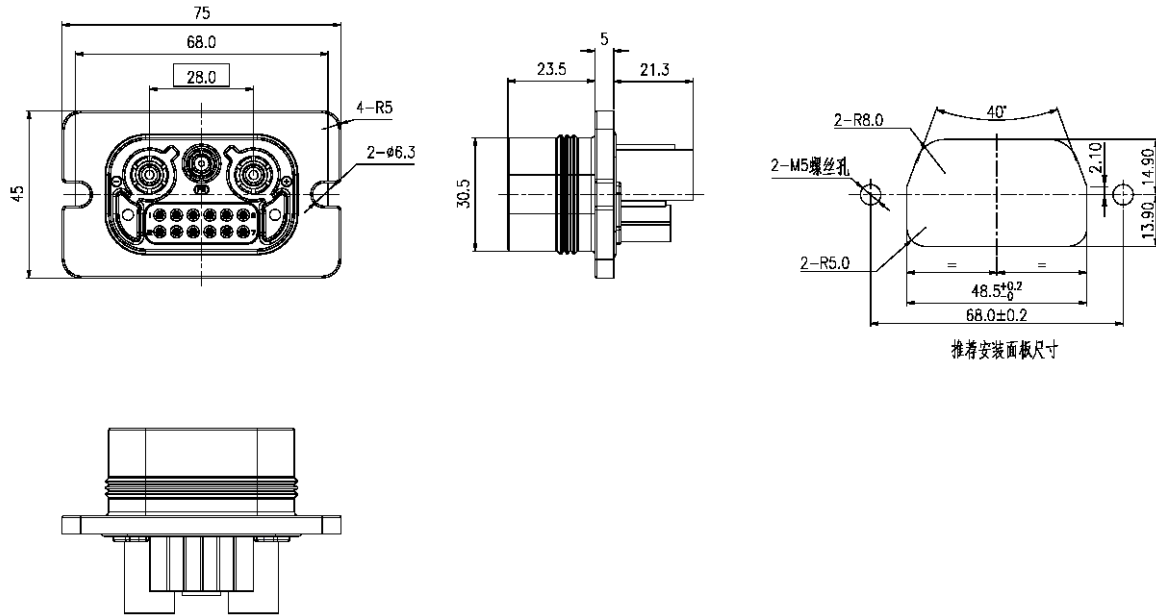


### Battery swap connector receptacle dimension



ADEBC 2+1+12 ordering code

ADEBC 2+1+12 ordering code

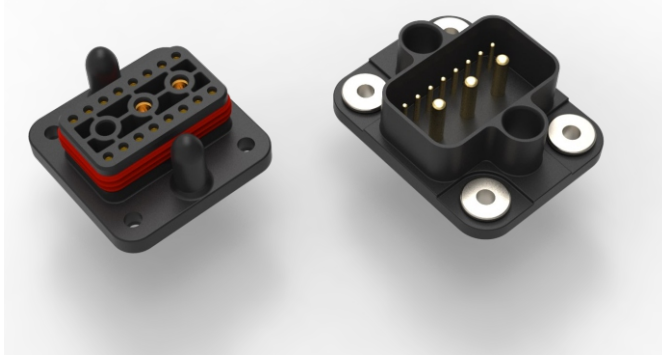


## ADEBC battery swap connector

ADEBC battery swap connector	ADEBC	1	X	2112	19	XX	X
Type: 1=plastic							
Definition: 1=plug(front panel), 2= straight receptacle (front panel)							
Terminal: 2112=2+1+12 (power, ground, signal)							
Terminal size: 20=8mm (only to Power pin)							
Termination (plug means cable size, receptacle means thread size) Plug: 15=10mm <sup>2</sup> ; 16=16mm <sup>2</sup> ; 17=25mm <sup>2</sup> (only apply to power pin) MX=MX thread size(M6, M8) Receptacle: refer to plug ordering code							
Touch proof keyway: A=A type							



## ADEBC 2+8 battery swap connector



## ADEBC 4+2+1+13 battery swap connector

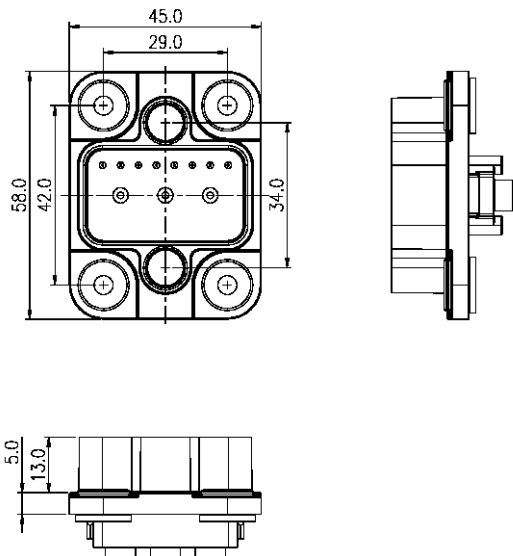
ADEBC 2+8 battery swap connector, support reversible insert, with floating X/Y $\pm$ 1.5mm, with crimp termination, rated at 50A, support up to 8 signal terminals, provide stable current and good signal transmission between equipment modules, with guiding pin, perfect solution for home energy storage system.

### Features

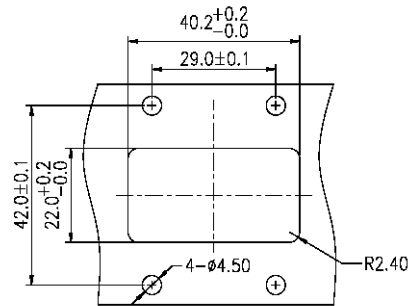
- Support reversible insert
- Up to 50A
- Floating X/Y $\pm$ 1.5mm
- IP67 rating(mated)

Technical Specification	
Mating cycle	$\geq 500$
Cable size	Power pin: 10-25mm <sup>2</sup> Signal pin: 0.35-0.8mm <sup>2</sup>
Rated current	120A
Rated voltage	1000V DC
Withstand voltage	3000V AC( power pin)
Salt spray	48 hours
IP rating	IP67(mated)
Operation temperature	-40°C to +125°C
Terminal	Copper alloy, silver plating
Housing	High strength plastic
Flammability	UL94V0

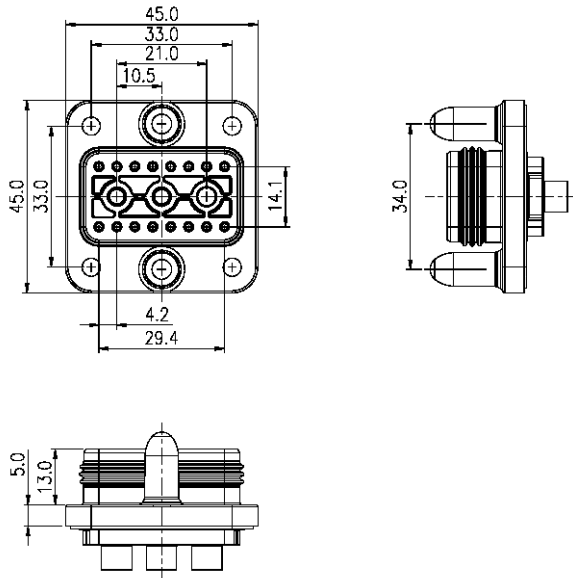
Battery swap connector plug dimension



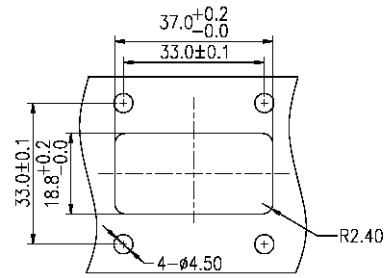
Battery swap connector receptacle dimension



ADEBC 2+1+12 ordering code



ADEBC 2+1+12 ordering code



## ADEBC 2+8 ordering code

ADEBC battery swap connector	ADEBC	1	X	2008	17	14	X
Type: 1=plastic							
Definition: 1=plug(front panel), 2= straight receptacle (front panel)							
Terminal: 2008=2+0+08 (power, ground, signal)							
Terminal size: 17=3.6mm (only to Power pin)							
Termination (plug means cable size, receptacle means thread size) Plug: 14=6mm <sup>2</sup> Receptacle: refer to plug ordering code							
Touch proof keyway: A=A type							



All Data Subject to Change Without Notice  
2023-04-18 DS-FULL REV 02

ACDRA Corporation  
JW iConnect Technology Co., Ltd.  
[www.acdracorp.com](http://www.acdracorp.com)

**Global Design Mindset**

**Global Production Expansion**