

Electrification of Transportation Interconnect Solution



Global Design Mindset

Global Production Expansion

INDEX

V-inline

| | |
|-----------------------------------|---|
| V-inline 80A metal 3 poles | 1 |
| V-inline 300A metal 2 poles | 2 |

V-Loc

| | |
|---|-------|
| V-Loc™ High Voltage Connector Series Advantage: | 3 |
| ADL200 SERIES | 4-8 |
| ADL300 SERIES | 9-13 |
| ADL500 SERIES | 14-18 |
| ADL40 SERIES | 19-21 |
| ADL60 SERIES | 22-24 |

V-Max

| | |
|---|-------|
| ADES 10.3mm | 25-26 |
| ADES 8mm | 27-28 |
| ADES 6mm | 29-30 |
| ADES Energy Storage Connector Ordering Code | 31 |
| ADES Connector Assembly | 32-33 |
| ADFTC Bolt Terminal | 34-35 |
| ADFTC Type C Terminal | 36-37 |
| ADFTD Plastic HV junction box | 38-39 |
| ADFTD Metal HV Junction Box | 40-41 |
| ADECT Plastic Type A Through-hole Connector | 42-44 |
| ADECT Metal Type A Through-hole Connector | 45-46 |
| ADECT Metal Type B Through-hole Connector | 47 |
| ADECT Metal Type A 3 Poles Through-hole Connector | 48 |
| ADEHV | 49-59 |
| ADEHP | 60-61 |

V-Swap

| | |
|------------------------------|-------|
| Battery swap connector | 62-67 |
|------------------------------|-------|

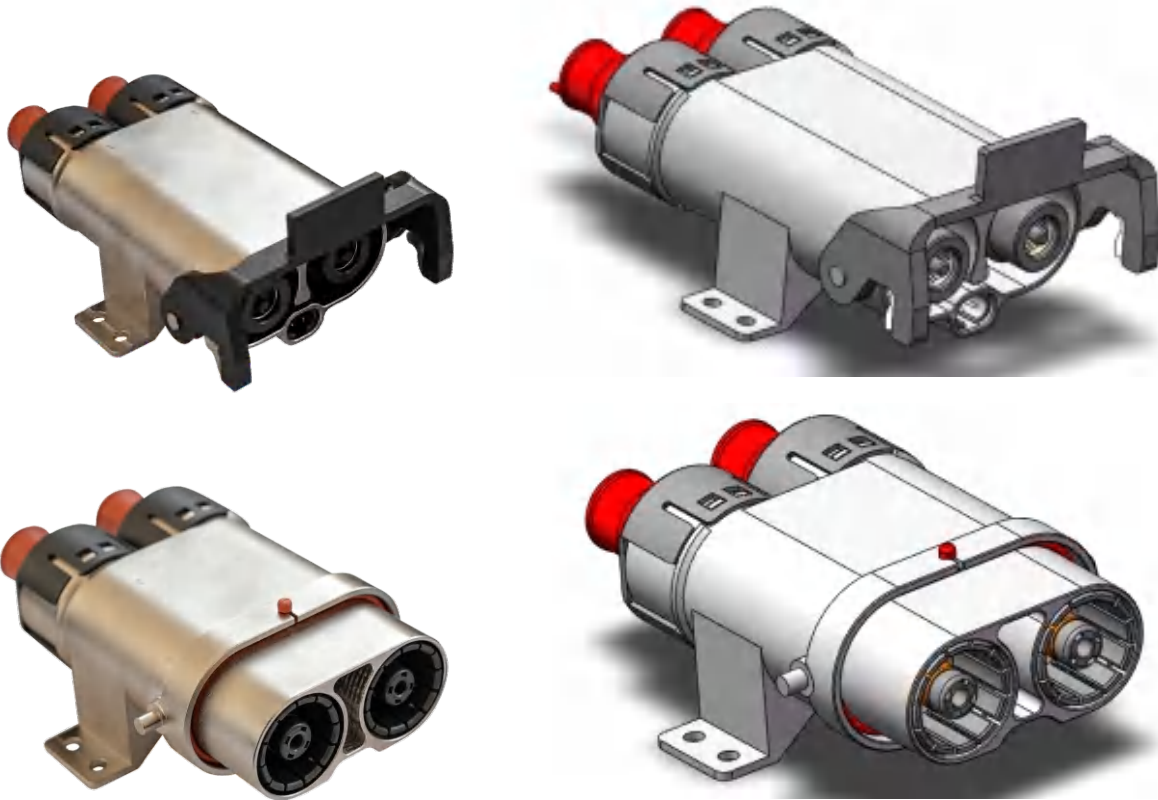
V-inline 80A metal 3 poles



Technical Specification

| | |
|-----------------------|------------------------------|
| Mating cycle | ≥ 100 |
| Cable size | 6AWG |
| Rated current | 80A |
| Rated voltage | 1000V DC |
| Withstand voltage | 4000V AC(power pin) |
| Insulation resistance | ≥1000MΩ(DC500V) |
| Salt spray | 96 hours |
| IP rating | IP67(mated) |
| Operation temperature | -40°C to +125°C |
| Terminal | Copper alloy, silver plating |
| Housing | Al Alloy |
| Flammability | UL94V0 |
| EMI | Yes |
| HVIL | Yes |

V-inline 300A metal 2 poles



| Technical Specification | |
|-------------------------|------------------------------|
| Mating cycle | ≥ 100 |
| Cable size | 2AWG |
| Rated current | 300A |
| Rated voltage | 1000V DC |
| Withstand voltage | 4000V AC(power pin) |
| Insulation resistance | ≥1000MΩ(DC500V) |
| Salt spray | 96 hours |
| IP rating | IP67(mated) |
| Operation temperature | -40°C to +125°C |
| Terminal | Copper alloy, silver plating |
| Housing | Al Alloy |
| Flammability | UL94V0 |
| EMI | Yes |
| HVIL | Yes |

V-Loc™ High Voltage Connector Series Advantage:
IP68 rated (1 meter, 48hours)
Secondary locking latch
Double-sided HVIL for higher reliability
Salt spray up to 500hours
Optional thermistor integration for temperature monitor



ADL SERIES TECHNICAL DATA

| Item | ADL200 Series | ADL300 Series | ADL500 Series | ADL40 Series 3PIN | ADL40 Series 4PIN | ADL60 Series 2PIN |
|--------------------------------|---|---------------|---------------|-------------------|-------------------|-------------------|
| Temperature Range | -40°C to +125°C | | | | | |
| Protection | IP68 & IP6K9K | | | | | |
| Housing Body | Zinc alloy , Die-cast | | | | | |
| Mating Force | 75N Max. | | | | | |
| Insulation Inserts | Thermoplastic , UL 94-V0 | | | | | |
| Contacts | copper alloy | | | | | |
| Seals | Rubber | | | | | |
| Max. Current | 200A Max. | 300A Max. | 500A Max. | 40A Max. | 40A Max. | 60A Max. |
| Terminal connecting resistance | ≤0.6 mΩ | | | | | |
| Test Voltage | 5000V DC | | | | | |
| Minimum Mating Cycles | No electrical or mechanical defects after more than 100 cycles of engagement and disengagement. | | | | | |
| Salt Spray Resistance | 48hour | | | | | |
| Shielded | Yes | | | | | |
| HVIL | Yes | | | | | |
| Dielectric strength | Leakage current(DC)≤1 mA ; Leakage current(AC)≤5 mA | | | | | |
| Vibration Resistance | No unlocking or unmating and exhibits no mechanical or physical damage after sinusoidal vibration levels of 10G's at 10 to 1000 Hz in each of the three mutually perpendicular planes. Connection resistance changes continuously greater than 7Ω's time less than 1 microsecond. | | | | | |
| Thermal Shock | No cracking, chipping or leaking after 20 test cycles from -40°C to +125°C. | | | | | |
| RoHS Compliant | Yes | | | | | |

PRODUCT APPLICATION

| Item | ADL200 Series | ADL300 Series | ADL500 Series | ADL40 Series 3PIN | ADL40 Series 4PIN | ADL60 Series 2PIN |
|-----------------------|---------------|---------------|---------------|-------------------|-------------------|-------------------|
| AUTOMOTIVE | • | • | • | • | • | • |
| TRUCKS | • | • | • | • | • | • |
| BUS | • | • | • | • | • | • |
| AGRICULTURAL MACHINES | • | • | • | • | • | • |
| CONSTRUCTION MACHINES | • | • | • | • | • | • |

TESTING STANDARD REFERENCE

| Item | ADL200 Series | ADL300 Series | ADL500 Series | ADL40 Series 3PIN | ADL40 Series 4PIN | ADL60 Series 2PIN |
|-------------------|---------------|---------------|---------------|-------------------|-------------------|-------------------|
| LV215-1-2013 | • | • | • | • | • | • |
| GB/T 11918.1-2014 | • | • | • | • | • | • |
| QC/T 1067.1-2017 | • | • | • | • | • | • |

RECEPTACLE

| Item | 180 Degree Busbar Lug | 180 Degree Busbar Lug | 180 Degree Busbar Lug | 90 Degree Busbar Lug |
|---------------------------|-----------------------|-----------------------|-----------------------|----------------------|
| Pictures | | | | |
| Product Number No HVIL | ADL00(*)-200-10M(&) | ADL00(*)-200-10D(&) | ADL00(*)-200-10H(&) | ADL00(*)-200-90M(&) |
| TProduct Number With HVIL | ADL00(*)-201-10M(&) | ADL00(*)-201-10D(&) | ADL00(*)-201-10H(&) | ADL00(*)-201-90M(&) |

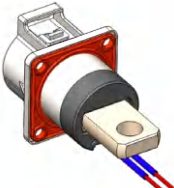
| Item | Thread Pin | Tubular Lug | 2 PIN Receptacle | 3 PIN Receptacle |
|--------------------------|---------------------|---------------------|---------------------|---------------------|
| Pictures | | | | |
| Product Number No HVIL | ADL00(*)-200-20M(&) | ADL00(*)-200-30C(&) | ADL20(*)-200-10M(&) | ADL30(*)-200-10M(&) |
| Product Number With HVIL | N/A | N/A | ADL20(*)-201-10M(&) | ADL30(*)-201-10M(&) |

NOTES:

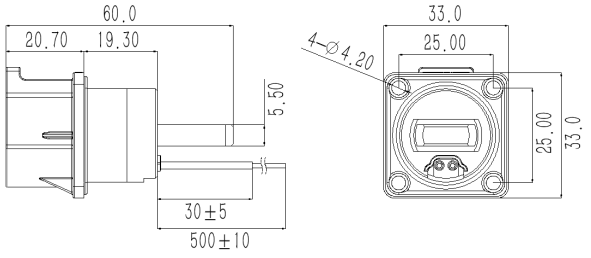
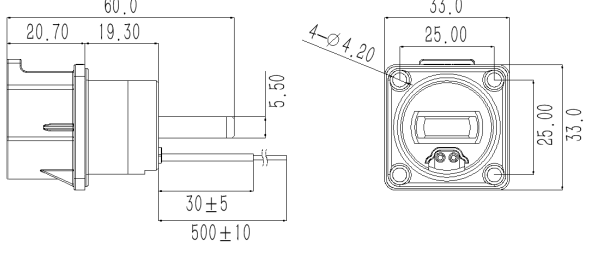
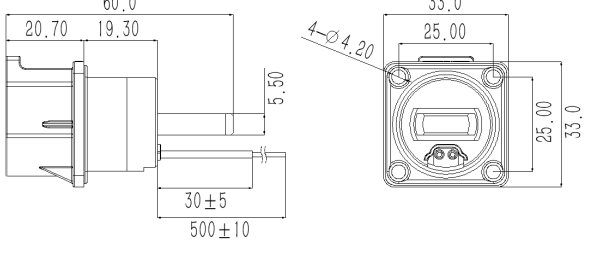
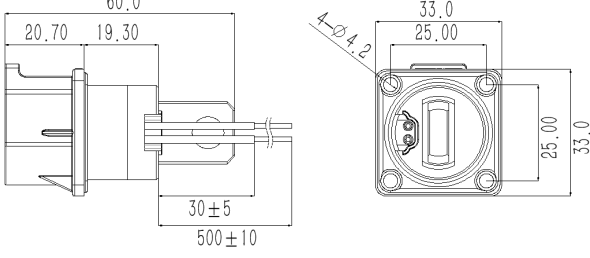
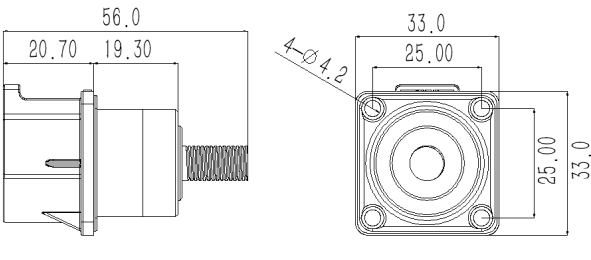
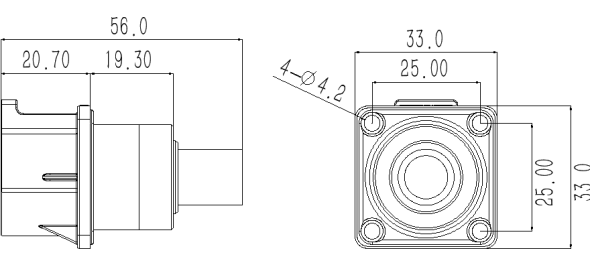
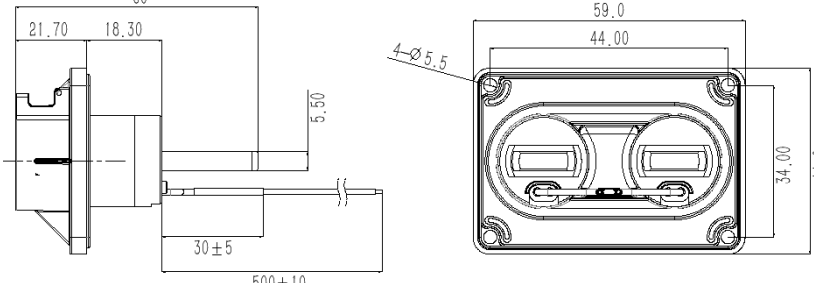
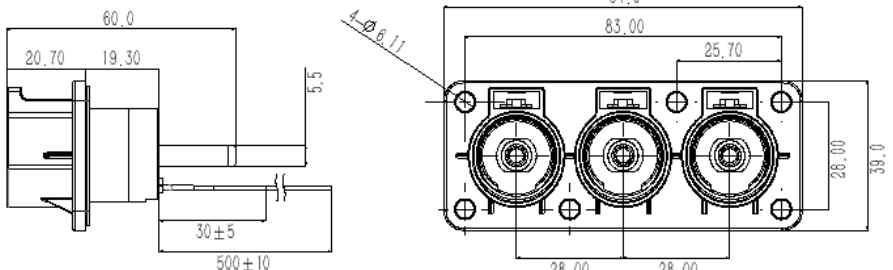
(*) Denote KEY Position: X , Y , U , V , W

(&) Denote Busbar dimension with hole: M6 , M8 ; D6 , D8 ; H6 , H8

HOW TO ORDER RECEPTACLE

| | |
|---|--|
| <p>Pictures</p>  | <p style="text-align: right;">ADL 00 X - 200 - 10 M6</p> <p>ADL Series</p> <p>(A) Connector type : 00 : Single-core socket ; 20 : Two-core socket ; 30 : Three-core socket</p> <p>(B) Key position and color : "X" Key position , Orange (Include X/Y/U/V/W Five key positions)</p> <p>(C) Product Series : 200 : 200A Series (200/300/500 : Not contain HVIL ; 201/301/501 : Contain HVIL)</p> <p>(D) Direction of copper bar : 10 : Horizontal ; 90 : Vertical</p> <p>(E) Connection size : Threaded hole , M6 (M : Threaded hole , D : through-hole , H : waist-shaped hole)</p> <p>Note: "T" added at the end indicates temperature detection function; Two-poles receptacle and three-poles receptacle use with single-pole plug The above models are not all, please contact your sales representative if necessary.</p> |
|---|--|

RECEPTACLE INSTALL DIMENSION

| | |
|---|---|
| <p>ADL00(*)-200-10M(& ADL00(*)-201-10M(&</p>  | <p>ADL00(*)-200-10D(& ADL00(*)-201-10D(&</p>  |
| <p>ADL00(*)-200-10H(& ADL00(*)-201-10H(&</p>  | <p>ADL00(*)-200-90M(& ADL00(*)-201-90M(&</p>  |
| <p>ADL00(*)-200-20M(& ADL00(*)-201-20M(&</p>  | <p>ADL00(*)-200-30C(& ADL00(*)-201-30C(&</p>  |
| <p>ADL20(*)-200-10M(& ADL20(*)-201-10M(&</p>  | |
| <p>ADL30(*)-200-10M(& ADL30(*)-201-10M(&</p>  | |

PLUG

| Item | Shielding Cable Straight Plug | Unshielding Cable Straight Plug | Shielding Cable 90 Degree Plug | Unshielding Cable 90 Degree Plug |
|---------------------------|-------------------------------|---------------------------------|--------------------------------|----------------------------------|
| Pictures | | | | |
| Product Number No HVIL | ADL18(*)-200-(&) | ADL48(*)-200-(&) | ADL28(*)-200-(&) | ADL58(*)-200-(&) |
| TProduct Number With HVIL | ADL18(*)-201-(&) | ADL48(*)-201-(&) | ADL28(*)-201-(&) | ADL58(*)-201-(&) |

| Item | Shielding Cable Straight Plug | Unshielding Cable Straight Plug | Shielding Cable 90 Degree Plug | Unshielding Cable 90 Degree Plug |
|--------------------------|-------------------------------|---------------------------------|--------------------------------|----------------------------------|
| Pictures | | | | |
| Product Number No HVIL | ADL19(*)-200-(&) | ADL49(*)-200-(&) | ADL29(*)-200-(&) | ADL59(*)-200-(&) |
| Product Number With HVIL | ADL19(*)-201-(&) | ADL49(*)-201-(&) | ADL29(*)-201-(&) | ADL59(*)-201-(&) |

NOTES:

(*) Denote KEY Position: U , V , W , X , Y

(&) Denote Cable dimension: 16 , 25 , 35 , 50


HOW TO ORDER PLUG

| | |
|----------|---|
| Pictures | ADL 18 X - 201 - 50 |
| | <p>ADL Series</p> <p>(A) Connector type : 18 : Straight head; 18/19 : Straight head with Shield ; 28/29 : Angle head with Shield 48/49 : Straight head without Shield ; 58/59 : Angle head without Shield</p> <p>(B) Key position and color : "X" Key position , Orange (Include X/Y/U/V/W Five key positions)</p> <p>(C) Product Series : 200 : 200A Series (200/300/500 : Not contain HVIL ; 201/301/501 : Contain HVIL)</p> <p>(D) Cable size : 16 mm² , 25 mm² , 35 mm² , 50 mm²</p> <p>Note: 18,28,48,58 represents the plug matched with the horizontal copper bar socket; 19,29,49,59 represents the plug matched with the vertical copper bar socket; The above models are not all, please contact your sales representative if necessary.</p> |


PLUG INSTALL DIMENSION

| | |
|--|--|
| <p>ADL18(*)-200-($\&$) ADL18(*)-201-($\&$)</p> <p>29.00 59.20 REF</p> | <p>ADL48(*)-200-($\&$) ADL48(*)-201-($\&$)</p> <p>29.00 59.20 REF</p> |
| <p>ADL28(*)-200-($\&$) ADL28(*)-201-($\&$)</p> <p>75.60 REF 50.50 REF</p> | <p>ADL58(*)-200-($\&$) ADL58(*)-201-($\&$)</p> <p>75.60 REF 50.50 REF</p> |
| <p>ADL19(*)-200-($\&$) ADL19(*)-201-($\&$)</p> <p>29.00 59.20 REF</p> | <p>ADL49(*)-200-($\&$) ADL49(*)-201-($\&$)</p> <p>29.00 59.20 REF</p> |
| <p>ADL29(*)-200-($\&$) ADL29(*)-201-($\&$)</p> <p>75.60 REF 50.50 REF</p> | <p>ADL59(*)-200-($\&$) ADL59(*)-201-($\&$)</p> <p>75.60 REF 50.50 REF</p> |


STRAIGHT PLUG, ACCEPT SHIELDED CABLE

| Series | Accepted Cable Size | Rated Voltage | Rated Current | Product Number No HVIL | Product Number With HVIL | PICTURES |
|------------|---------------------|---------------|---------------|------------------------|--------------------------|---|
| 200 Series | 16mm ² | 1000V DC | 90A | ADL18(*)-200-16 | ADL18(*)-201-16 |  |
| | 25mm ² | 1000V DC | 120A | ADL18(*)-200-25 | ADL18(*)-201-25 | |
| | 35mm ² | 1000V DC | 150A | ADL18(*)-200-35 | ADL18(*)-201-35 | |
| | 50mm ² | 1000V DC | 200A | ADL18(*)-200-50 | ADL18(*)-201-50 | |


90 DEGREE PLUG, ACCEPT SHIELDED CABLE

| Series | Accepted Cable Size | Rated Voltage | Rated Current | Product Number No HVIL | Product Number With HVIL | PICTURES |
|------------|---------------------|---------------|---------------|------------------------|--------------------------|---|
| 200 Series | 16mm ² | 1000V DC | 90A | ADL28(*)-200-16 | ADL28(*)-201-16 |  |
| | 25mm ² | 1000V DC | 120A | ADL28(*)-200-25 | ADL28(*)-201-25 | |
| | 35mm ² | 1000V DC | 150A | ADL28(*)-200-35 | ADL28(*)-201-35 | |
| | 50mm ² | 1000V DC | 200A | ADL28(*)-200-50 | ADL28(*)-201-50 | |

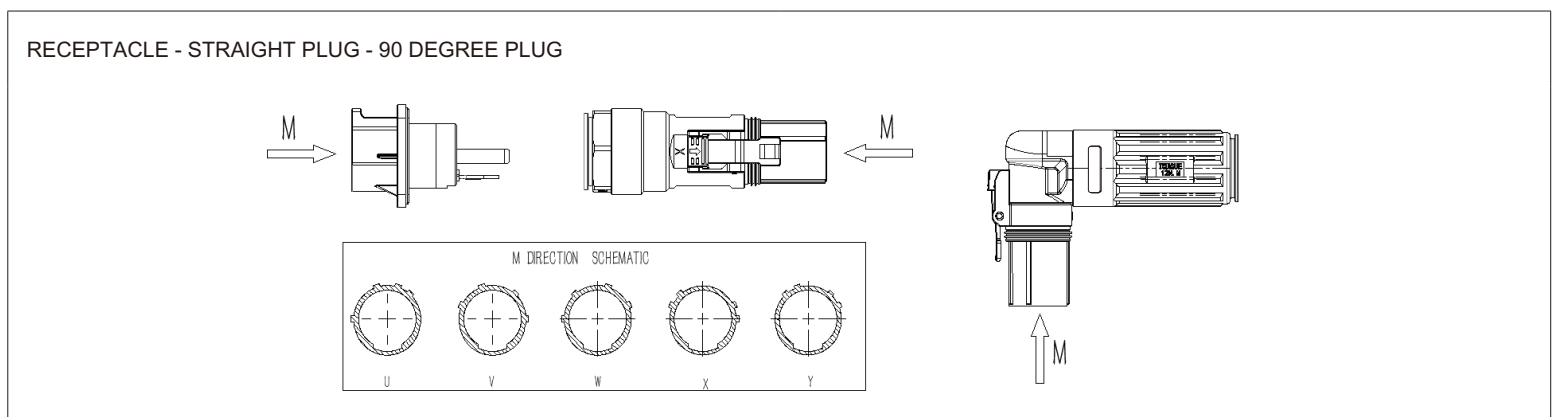
STRAIGHT PLUG, ACCEPT SHIELDED CABLE

| Series | Accepted Cable Size | Rated Voltage | Rated Current | Product Number No HVIL | Product Number With HVIL | PICTURES |
|------------|---------------------|---------------|---------------|------------------------|--------------------------|---|
| 200 Series | 16mm ² | 1000V DC | 90A | ADL19(*)-200-16 | ADL19(*)-201-16 |  |
| | 25mm ² | 1000V DC | 120A | ADL19(*)-200-25 | ADL19(*)-201-25 | |
| | 35mm ² | 1000V DC | 150A | ADL19(*)-200-35 | ADL19(*)-201-35 | |
| | 50mm ² | 1000V DC | 200A | ADL19(*)-200-50 | ADL19(*)-201-50 | |

90 DEGREE PLUG, ACCEPT SHIELDED CABLE

| Series | Accepted Cable Size | Rated Voltage | Rated Current | Product Number No HVIL | Product Number With HVIL | PICTURES |
|------------|---------------------|---------------|---------------|------------------------|--------------------------|---|
| 200 Series | 16mm ² | 1000V DC | 90A | ADL29(*)-200-16 | ADL29(*)-201-16 |  |
| | 25mm ² | 1000V DC | 120A | ADL29(*)-200-25 | ADL29(*)-201-25 | |
| | 35mm ² | 1000V DC | 150A | ADL29(*)-200-35 | ADL29(*)-201-35 | |
| | 50mm ² | 1000V DC | 200A | ADL29(*)-200-50 | ADL29(*)-201-50 | |

KEY POSITION



RECEPTACLE

| Item | 180 Degree Busbar Lug | 180 Degree Busbar Lug | 180 Degree Busbar Lug | 90 Degree Busbar Lug |
|--------------------------|-----------------------|-----------------------|-----------------------|----------------------|
| Pictures | | | | |
| Product Number No HVIL | ADL00(*)-300-10M(&) | ADL00(*)-300-10D(&) | ADL00(*)-300-10H(&) | ADL00(*)300-90M(&) |
| Product Number With HVIL | ADL00(*)-301-10M(&) | ADL00(*)-301-10D(&) | ADL00(*)-301-10H(&) | ADL00(*)-301-90M(&) |

| Item | Thread Pin | Tubular Lug | 2 PIN Receptacle | 3 PIN Receptacle |
|--------------------------|---------------------|---------------------|---------------------|----------------------|
| Pictures | | | | |
| Product Number No HVIL | ADL00(*)-300-20M(&) | ADL00(*)-300-30C(&) | ADL20(*)-300-10M(&) | ADL30(*)-300-10M(&) |
| Product Number With HVIL | N/A | N/A | ADL20(*)-301-10M(&) | ADLC30(*)-301-10M(&) |

NOTES:

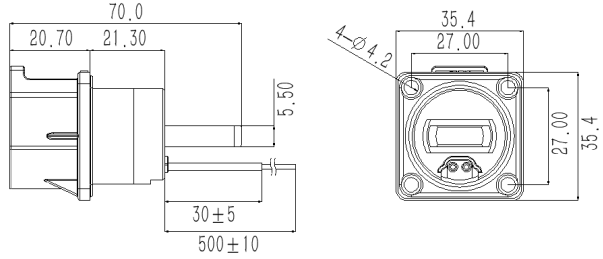
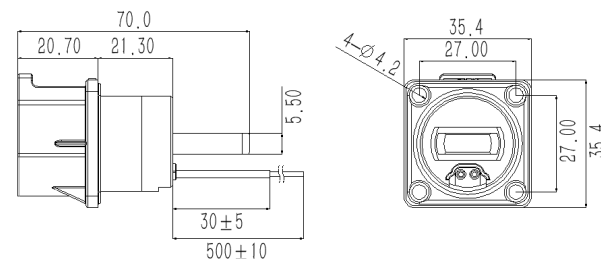
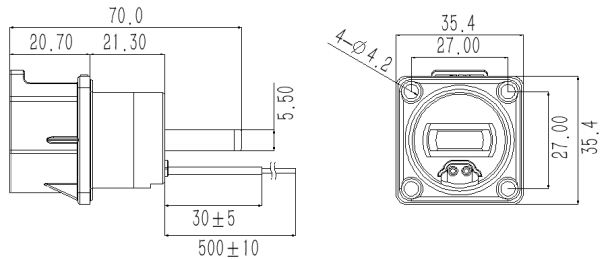
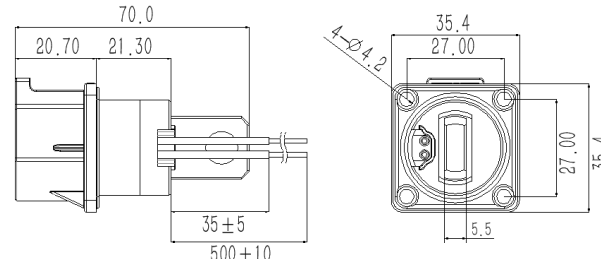
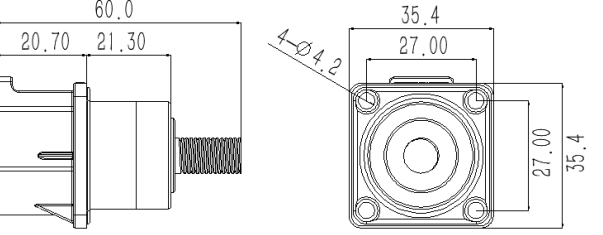
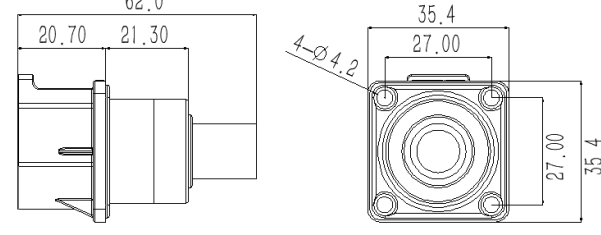
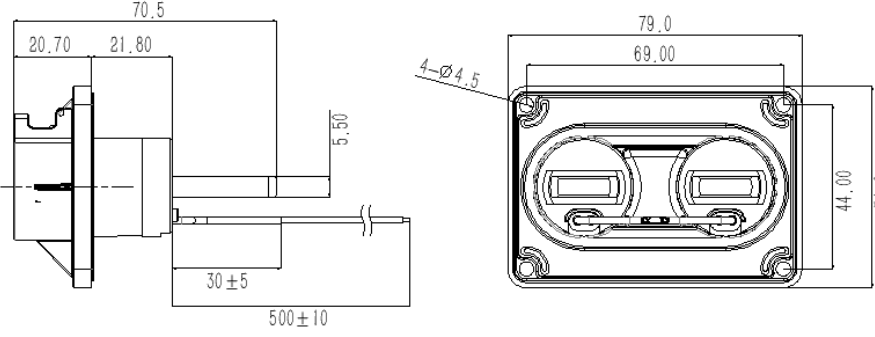
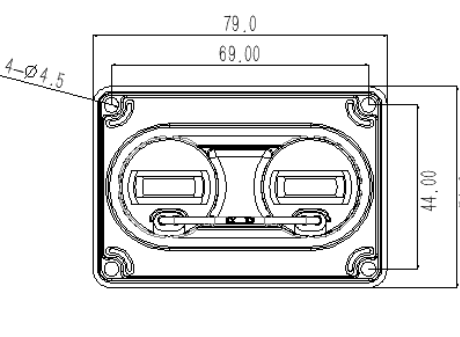
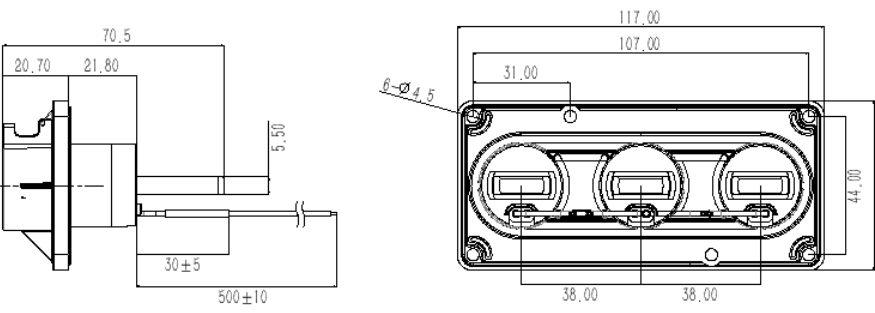
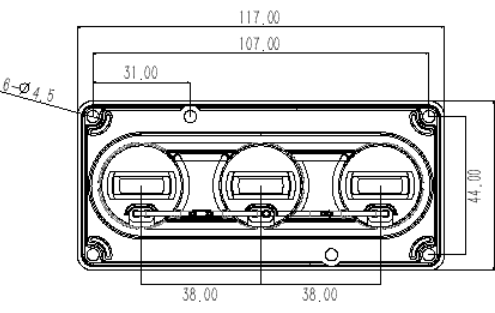
(*) Denote KEY Position: U , V , W , X , Y , T

(&) Denote Busbar dimension with hole: M6 , M8 , M10 ; D6 , D8 , D10 ; H6 , H8 , H10

HOW TO ORDER RECEPTACLE

| | |
|---|--|
| Pictures | ADL 00 X - 300 - 10 M10 |
| | ADL Series |
| | (A) Connector type : 00 : Single-core socket ; 20 : Two-core socket ; 30 : Three-core socket |
| | (B) Key position and color : "X" Key position , Orange (Include X/Y/U/V/W/T Six key positions) |
| | (C) Product Series : 300 : 300A Series (200/300/500 : Not contain HVIL ; 201/301/501 : Contain HVIL) |
| | (D) Direction of copper bar : 10 : Horizontal ; 90 : Vertical |
| | (E) Connection size : Threaded hole , M10 (M : Threaded hole , D : through-hole , H : waist-shaped hole) |
| Note: "T" added at the end indicates temperature detection function; Two-poles receptacle and three-poles receptacle use with single-pole plug; The above models are not all, please contact your sales representative if necessary. | |

RECEPTACLE INSTALL DIMENSION

| | |
|---|---|
| <p>ADL00(*)-300-10M(& ADL00(*)-301-10M(&</p>  | <p>ADL00(*)-300-10D(& ADL00(*)-301-10D(&</p>  |
| <p>ADL00(*)-300-10H(& ADL00(*)-301-10H(&</p>  | <p>ADL00(*)300-90M(& ADL00(*)301-90M(&</p>  |
| <p>ADL00(*)-300-20M(&</p>  | <p>ADL00(*)-300-30C(&</p>  |
| <p>ADL20(*)-300-10M(& ADL20(*)-301-10M(&</p>  | <p>ADL20(*)-300-10M(& ADL20(*)-301-10M(&</p>  |
| <p>ADL30(*)-300-10M(& ADL30(*)-301-10M(&</p>  | <p>ADL30(*)-300-10M(& ADL30(*)-301-10M(&</p>  |

PLUG

| Item | Shielding Cable Straight Plug | Unshielding Cable Straight Plug | Shielding Cable 90 Degree Plug | Unshielding Cable 90 Degree Plug |
|--------------------------|-------------------------------|---------------------------------|--------------------------------|----------------------------------|
| Pictures | | | | |
| Product Number No HVIL | ADL18(*)-300-(&) | ADL48(*)-300-(&) | PRC28(*)-300-(&) | ADL58(*)-300-(&) |
| Product Number With HVIL | ADL18(*)-301-(&) | ADL48(*)-301-(&) | ADL28(*)-301-(&) | ADL58(*)-301-(&) |

| Item | Shielding Cable Straight Plug | Unshielding Cable Straight Plug | Shielding Cable 90 Degree Plug | Unshielding Cable 90 Degree Plug |
|--------------------------|-------------------------------|---------------------------------|--------------------------------|----------------------------------|
| Pictures | | | | |
| Product Number No HVIL | ADL19(*)-300-(&) | ADL49(*)-300-(&) | ADL29(*)-300-(&) | ADL59(*)-300-(&) |
| Product Number With HVIL | ADL19(*)-301-(&) | ADL49(*)-301-(&) | ADL29(*)-301-(&) | ADL59(*)-301-(&) |

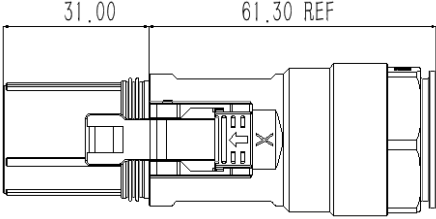
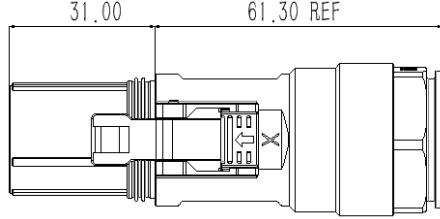
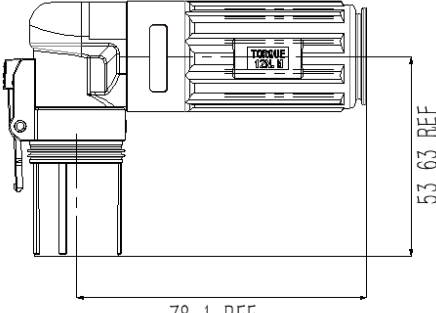
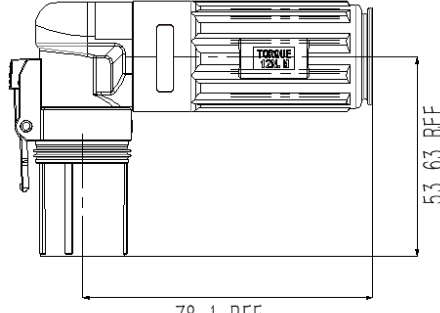
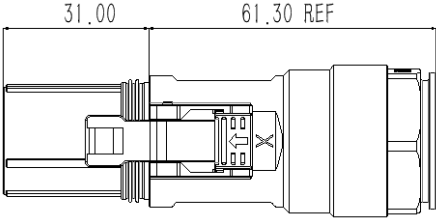
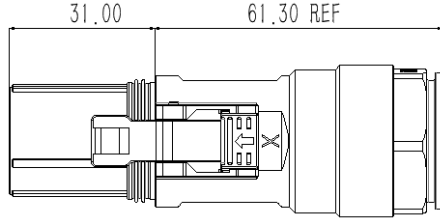
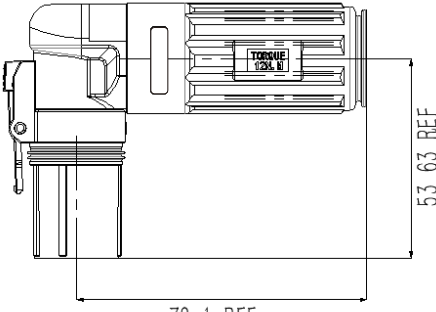
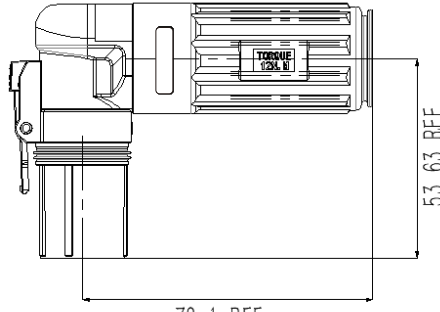
NOTES:

(*) Denote KEY Position: U , V , W , X , Y , T
 (&) Denote Cable dimension: 35 , 50 , 70 , 95


HOW TO ORDER PLUG

| Pictures | |
|----------|--|
| | <p style="text-align: right;">ADL 18 X - 301 - 70</p> <p>ADL Series</p> <p>(A) Connector type : 18 : Straight head ; 18/19 : Straight head with Shield ; 28/29 : Angle head with Shield 48/49 : Straight head without Shield ; 58/59 : Angle head without Shield</p> <p>(B) Key position and color : "X" Key position , Orange (Include X/Y/U/V/W/T Six key positions)</p> <p>(C) Product Series : 300 : 300A Series (200/300/500 : Not contain HVIL ; 201/301/501 : Contain HVIL)</p> <p>(D) Cable size : 35mm² , 50 mm² , 70 mm² , 95 mm²</p> <p>Note: 18,28,48,58 represents the plug matched with the horizontal copper bar socket; 19,29,49,59 represents the plug matched with the vertical copper bar socket; The above models are not all, please contact your sales representative if necessary.</p> |


PLUG INSTALL DIMENSION

| | |
|---|---|
| <p>ADL18(*)-300-(& ADL18(*)-301-(&</p>  <p>31.00 61.30 REF</p> | <p>ADL48(*)-300-(& ADL48(*)-301-(&</p>  <p>31.00 61.30 REF</p> |
| <p>ADL28(*)-300-(& ADL28(*)-301-(&</p>  <p>78.1 REF 53.63 REF</p> | <p>ADL58(*)-300-(& ADL58(*)-301-(&</p>  <p>78.1 REF 53.63 REF</p> |
| <p>ADL19(*)-300-(& ADL19(*)-301-(&</p>  <p>31.00 61.30 REF</p> | <p>ADL49(*)-300-(& ADL49(*)-301-(&</p>  <p>31.00 61.30 REF</p> |
| <p>ADL29(*)-300-(& ADL29(*)-301-(&</p>  <p>78.1 REF 53.63 REF</p> | <p>ADL59(*)-300-(& ADL59(*)-301-(&</p>  <p>78.1 REF 53.63 REF</p> |


STRAIGHT PLUG, ACCEPT SHIELDED CABLE

| Series | Accepted Cable Size | Rated Voltage | Rated Current | Product Number No HVIL | Product Number With HVIL | PICTURES |
|------------|---------------------|---------------|---------------|------------------------|--------------------------|---|
| 300 Series | 35mm ² | 1000V DC | 150A | ADL18(*)-300-35 | ADL18(*)-301-35 |  |
| | 50mm ² | 1000V DC | 200A | ADL18(*)-300-50 | ADL18(*)-301-50 | |
| | 70mm ² | 1000V DC | 250A | ADL18(*)-300-70 | ADL18(*)-301-70 | |
| | 95mm ² | 1000V DC | 300A | ADL18(*)-300-95 | ADL18(*)-301-95 | |


90 DEGREE PLUG, ACCEPT SHIELDED CABLE

| Series | Accepted Cable Size | Rated Voltage | Rated Current | Product Number No HVIL | Product Number With HVIL | PICTURES |
|------------|---------------------|---------------|---------------|------------------------|--------------------------|---|
| 300 Series | 35mm ² | 1000V DC | 150A | ADL28(*)-300-35 | ADL28(*)-301-35 |  |
| | 50mm ² | 1000V DC | 200A | ADL28(*)-300-50 | ADL28(*)-301-50 | |
| | 70mm ² | 1000V DC | 250A | ADL28(*)-300-70 | ADL28(*)-301-70 | |
| | 95mm ² | 1000V DC | 300A | ADL28(*)-300-95 | ADL28(*)-301-95 | |

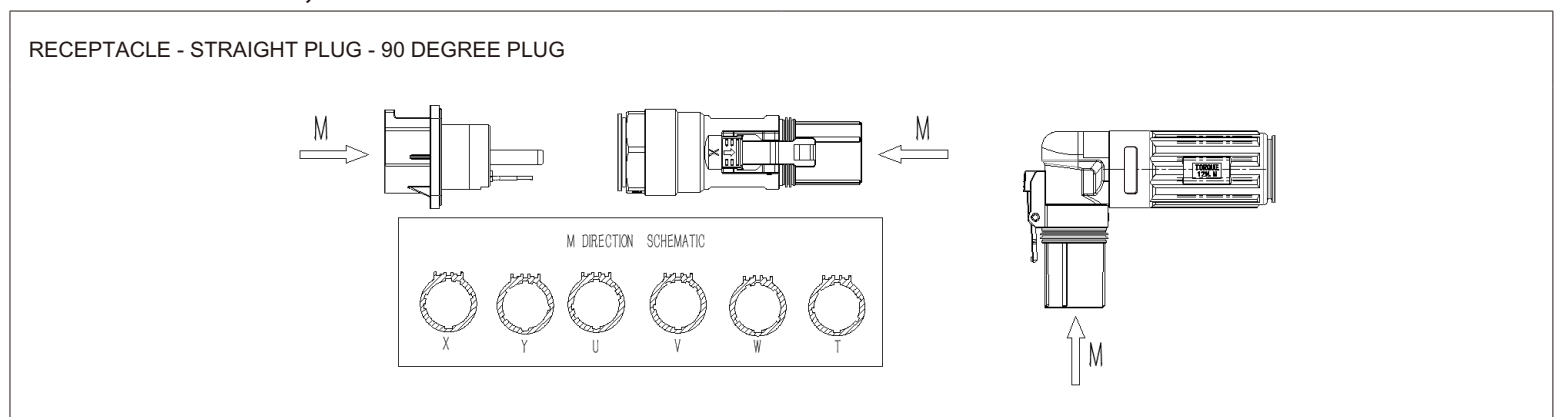
KEY POSITION

| Series | Accepted Cable Size | Rated Voltage | Rated Current | Product Number No HVIL | Product Number With HVIL | PICTURES |
|------------|---------------------|---------------|---------------|------------------------|--------------------------|---|
| 300 Series | 35mm ² | 1000V DC | 150A | ADL19(*)-300-35 | ADL19(*)-301-35 |  |
| | 50mm ² | 1000V DC | 200A | ADL19(*)-300-50 | ADL19(*)-301-50 | |
| | 70mm ² | 1000V DC | 250A | ADL19(*)-300-70 | ADL19(*)-301-70 | |
| | 95mm ² | 1000V DC | 300A | ADL19(*)-300-95 | ADL19(*)-301-95 | |

STRAIGHT PLUG, ACCEPT SHIELDED CABLE

| Series | Accepted Cable Size | Rated Voltage | Rated Current | Product Number No HVIL | Product Number With HVIL | PICTURES |
|------------|---------------------|---------------|---------------|------------------------|--------------------------|---|
| 300 Series | 35mm ² | 1000V DC | 150A | ADL29(*)-300-35 | ADL29(*)-301-35 |  |
| | 50mm ² | 1000V DC | 200A | ADL29(*)-300-50 | ADL29(*)-301-50 | |
| | 70mm ² | 1000V DC | 250A | ADL29(*)-300-70 | ADL29(*)-301-70 | |
| | 95mm ² | 1000V DC | 300A | ADL29(*)-300-95 | ADL29(*)-301-95 | |

90 DEGREE PLUG, ACCEPT SHIELDED CABLE



RECEPTACLE

| Item | 180 Degree Busbar Lug | 180 Degree Busbar Lug | 180 Degree Busbar Lug | 90 Degree Busbar Lug |
|--------------------------|-----------------------|-----------------------|-----------------------|----------------------|
| Pictures | | | | |
| Product Number No HVIL | ADLC00(*)-500-10M(&) | ADL00(*)-500-10D(&) | ADL00(*)-500-10H(&) | ADL00(*)500-90M(&) |
| Product Number With HVIL | ADL00(*)-501-10M(&) | ADL00(*)-501-10D(&) | ADL00(*)-501-10H(&) | ADL00(*)-501-90M(&) |

| Item | Thread Pin | Tubular Lug | 2 PIN Receptacle | 3 PIN Receptacle |
|--------------------------|---------------------|---------------------|----------------------|---------------------|
| Pictures | | | | |
| Product Number No HVIL | ADL00(*)-500-20M(&) | ADL00(*)-500-30C(&) | ADL20(*)-500-10M(&) | ADL30(*)-500-10M(&) |
| Product Number With HVIL | N/A | N/A | ADLC20(*)-501-10M(&) | ADL30(*)-501-10M(&) |

NOTES:

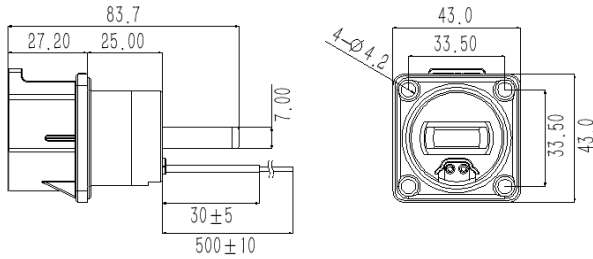
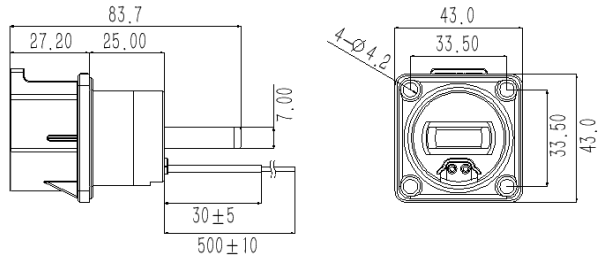
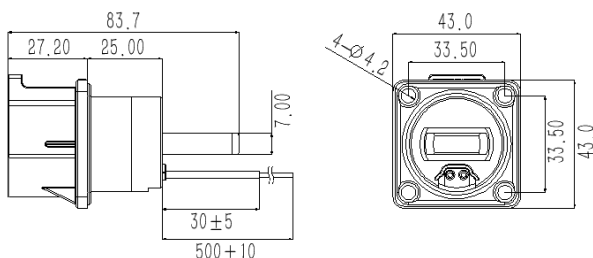
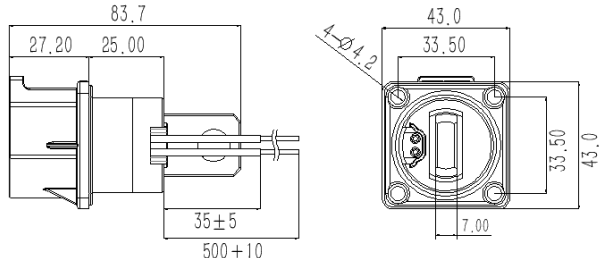
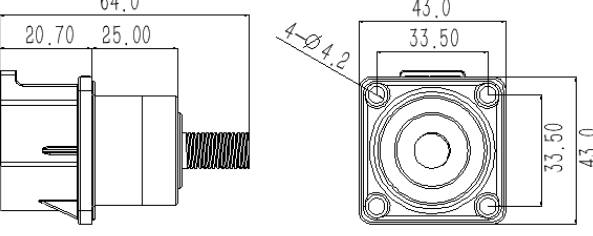
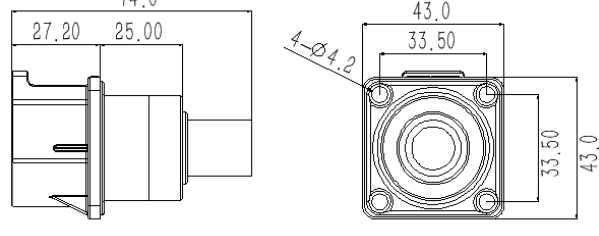
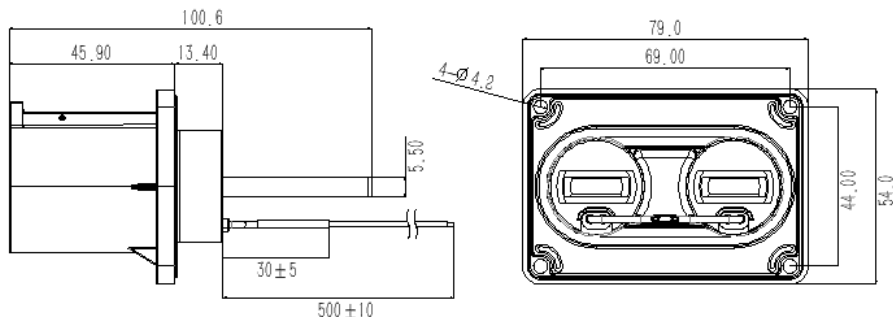
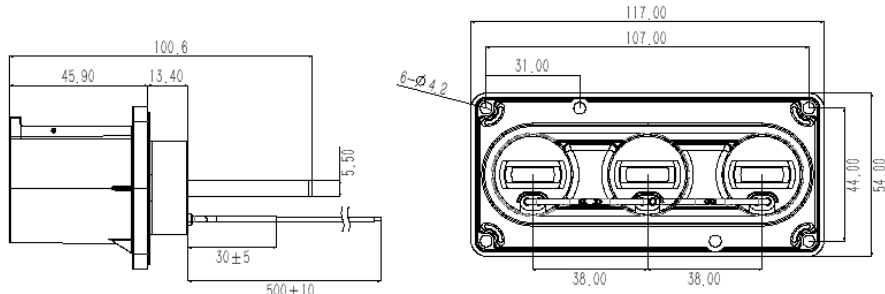
(*) Denote KEY Position: U , V , W , X , Y

(&) Denote Busbar dimension with hole : M6 , M8 , M10 ; D6 , D8 , D10 ; H6 , H8 , H10

HOW TO ORDER RECEPTACLE

| Pictures | |
|----------|--|
| | <p style="text-align: right;">ADL00 X - 500 - 10 M10</p> <p>ADL Series</p> <p>(A) Connector type : 00 : Single-core socket ; 20 : Two-core socket ; 30 : Three-core socket</p> <p>(B) Key position and color : "X" Key position , Orange (Include X/Y/U/V/W Five key positions)</p> <p>(C) Product Series : 500 : 500A Series (200/300/500 : Not contain HVIL ; 201/301/501 : Contain HVIL)</p> <p>(D) Direction of copper bar : 10 : Horizontal ; 90 : Vertical</p> <p>(E) Connection size : Threaded hole , M10 (M : Threaded hole , D : through-hole , H : waist-shaped hole)</p> <p>Note: "T" added at the end indicates temperature detection function; Two-poles receptacle and three-poles receptacle use with single-pole plug; The above models are not all, please contact your sales representative if necessary.</p> |

RECEPTACLE INSTALL DIMENSION

| | |
|---|--|
| <p>ADL00(*)-500-10M(& ADL00(*)-501-10M(&</p>  | <p>ADL00(*)-500-10D(& ADL00(*)-501-10D(&</p>  |
| <p>ADL00(*)-500-10H(& ADL00(*)-501-10H(&</p>  | <p>ADL00(*)-500-90M(& ADL00(*)-501-90M(&</p>  |
| <p>ADL00(*)-500-20M(&</p>  | <p>ADL00(*)-500-30C(&</p>  |
| <p>ADL20(*)-500-10M(& ADL20(*)-501-10M(&</p>  | |
| <p>ADL30(*)-500-10M(& ADL30(*)-501-10M(&</p>  | |

PLUG

| Item | Shielding Cable Straight Plug | Unshielding Cable Straight Plug | Shielding Cable 90 Degree Plug | Unshielding Cable 90 Degree Plug |
|--------------------------|-------------------------------|---------------------------------|--------------------------------|----------------------------------|
| Pictures | | | | |
| Product Number No HVIL | ADL18(*)-500-(&) | ADL48(*)-500-(&) | ADL28(*)-500-(&) | ADL58(*)-500-(&) |
| Product Number With HVIL | ADL18(*)-501-(&) | ADL48(*)-501-(&) | ADL28(*)-501-(&) | ADL58(*)-501-(&) |

| Item | Shielding Cable Straight Plug | Unshielding Cable Straight Plug | Shielding Cable 90 Degree Plug | Unshielding Cable 90 Degree Plug |
|--------------------------|-------------------------------|---------------------------------|--------------------------------|----------------------------------|
| Pictures | | | | |
| Product Number No HVIL | ADL19(*)-500-(&) | ADL49(*)-500-(&) | ADL29(*)-500-(&) | ADL59(*)-500-(&) |
| Product Number With HVIL | ADL19(*)-501-(&) | ADL49(*)-501-(&) | ADL29(*)-501-(&) | ADL59(*)-501-(&) |

NOTES:

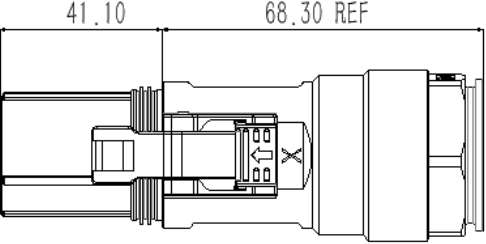
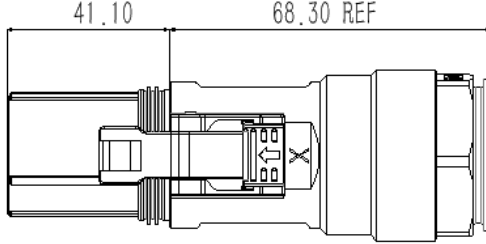
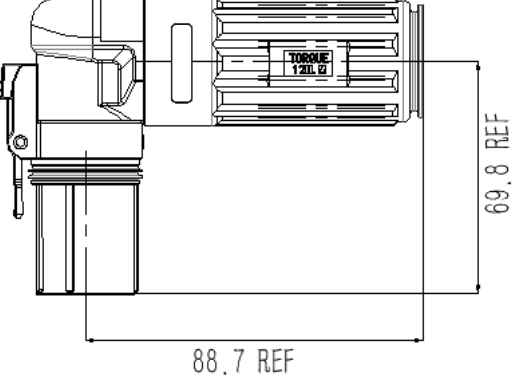
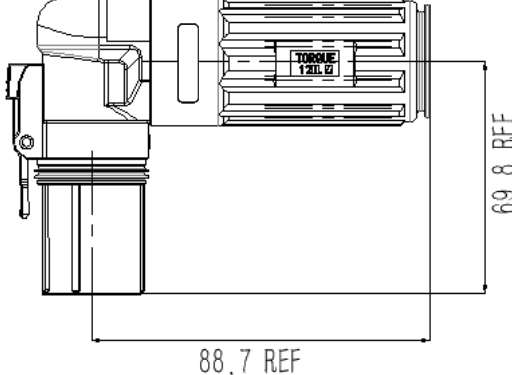
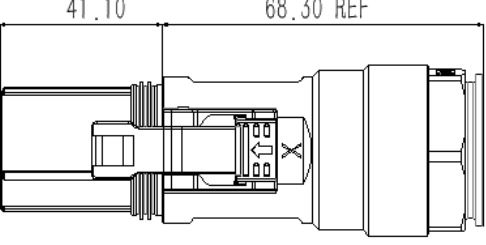
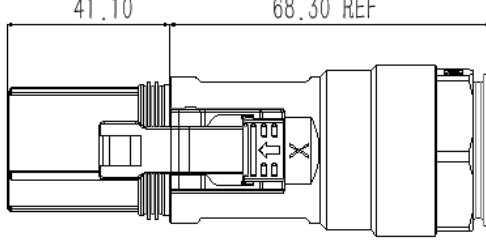
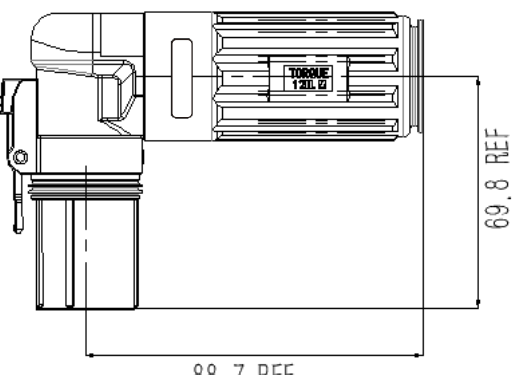
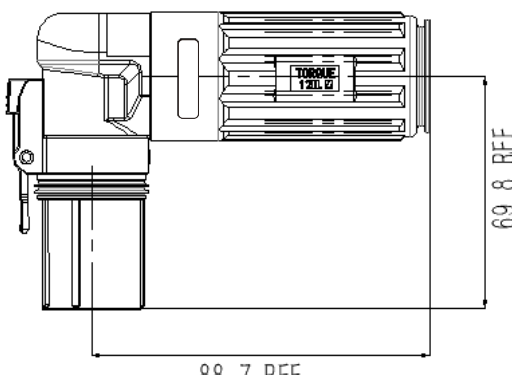
(*) Denote KEY Position: U , V , W , X , Y

(&) Denote Cable dimension: 95 , 120 , 135 , 150

HOW TO ORDER PLUG

| Pictures | |
|----------|--|
| | <p style="text-align: right;">ADL 18 X - 501 - 70</p> <p>ADL Series</p> <p>(A) Connector type : 18 : Straight head ; 18/19 : Straight head with Shield ; 28/29 : Angle head with Shield 48/49 : Straight head without Shield ; 58/59 : Angle head without Shield</p> <p>(B) Key position and color : "X" Key position , Orange (Include X/Y/U/V/W Five key positions)</p> <p>(C) Product Series : 500 : 500A Series (200/300/500 : Not contain HVIL ; 201/301/501 : Contain HVIL)</p> <p>(D) Cable Size : 95mm² , 120mm² , 135mm² , 150mm²</p> <p>Note: 18,28,48,58 represents the plug matched with the horizontal copper bar socket; 19,29,49,59 represents the plug matched with the vertical copper bar socket; The above models are not all, please contact your sales representative if necessary.</p> |
| | |
| | |
| | |

PLUG INSTALL DIMENSION

| | |
|--|--|
| <p>ADL18(*)-500-($\&$) ADL18(*)-501-($\&$)</p>  | <p>ADL48(*)-500-($\&$) ADL48(*)-501-($\&$)</p>  |
| <p>ADL28(*)-500-($\&$) ADL28(*)-501-($\&$)</p>  | <p>ADL58(*)-500-($\&$) ADL58(*)-501-($\&$)</p>  |
| <p>ADL19(*)-500-($\&$) ADL19(*)-501-($\&$)</p>  | <p>ADL49(*)-500-($\&$) ADL49(*)-501-($\&$)</p>  |
| <p>ADL29(*)-500-($\&$) ADL29(*)-501-($\&$)</p>  | <p>ADL59(*)-500-($\&$) ADL59(*)-501-($\&$)</p>  |

STRAIGHT PLUG, ACCEPT SHILED CABLE

| Series | Accepted Cable Size | Rated Voltage | Rated Current | Product Number No HVIL | Product Number With HVIL | PICTURES |
|------------|---------------------|---------------|---------------|------------------------|--------------------------|----------|
| 500 Series | 95mm ² | 1000V DC | 320A | ADL18(*)-500-95 | ADL18(*)-501-95 | |
| | 120mm ² | 1000V DC | 350A | ADL18(*)-500-120 | ADL18(*)-501-120 | |
| | 135mm ² | 1000V DC | 400A | ADL18(*)-500-135 | ADL18(*)-501-135 | |
| | 150mm ² | 1000V DC | 500A | ADL18(*)-500-150 | ADL18(*)-501-150 | |

90 DEGREE PLUG, ACCEPT SHILED CABLE

| Series | Accepted Cable Size | Rated Voltage | Rated Current | Product Number No HVIL | Product Number With HVIL | PICTURES |
|------------|---------------------|---------------|---------------|------------------------|--------------------------|----------|
| 500 Series | 95mm ² | 1000V DC | 320A | ADL28(*)-500-95 | ADL28(*)-501-95 | |
| | 120mm ² | 1000V DC | 350A | ADL28(*)-500-120 | ADL28(*)-501-120 | |
| | 135mm ² | 1000V DC | 400A | ADL28(*)-500-135 | ADL28(*)-501-135 | |
| | 150mm ² | 1000V DC | 500A | ADL28(*)-500-150 | ADL28(*)-501-150 | |

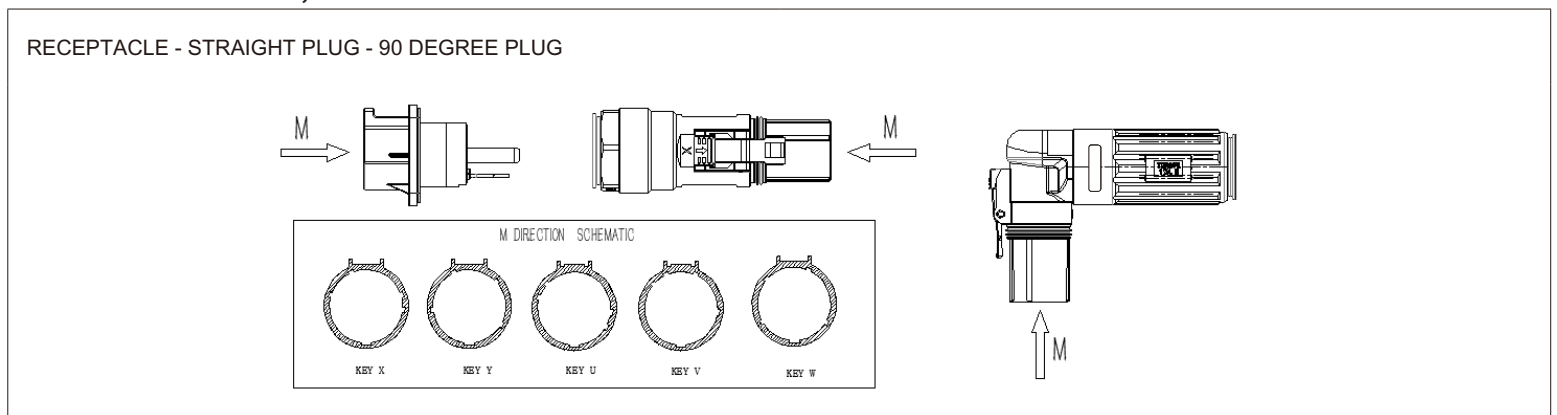
KEY POSITION

| Series | Accepted Cable Size | Rated Voltage | Rated Current | Product Number No HVIL | Product Number With HVIL | PICTURES |
|------------|---------------------|---------------|---------------|------------------------|--------------------------|----------|
| 500 Series | 95mm ² | 1000V DC | 320A | ADL19(*)-500-95 | ADL19(*)-501-95 | |
| | 120mm ² | 1000V DC | 350A | ADL19(*)-500-120 | ADL19(*)-501-120 | |
| | 135mm ² | 1000V DC | 400A | ADL19(*)-500-135 | ADL19(*)-501-135 | |
| | 150mm ² | 1000V DC | 500A | ADL19(*)-500-150 | ADL19(*)-501-150 | |

STRAIGHT PLUG, ACCEPT SHILED CABLE

| Series | Accepted Cable Size | Rated Voltage | Rated Current | Product Number No HVIL | Product Number With HVIL | PICTURES |
|------------|---------------------|---------------|---------------|------------------------|--------------------------|----------|
| 500 Series | 95mm ² | 1000V DC | 320A | ADL29(*)-500-95 | ADL29(*)-501-95 | |
| | 120mm ² | 1000V DC | 350A | ADL29(*)-500-120 | ADL29(*)-501-120 | |
| | 135mm ² | 1000V DC | 400A | ADL29(*)-500-135 | ADL29(*)-501-135 | |
| | 150mm ² | 1000V DC | 500A | ADL29(*)-500-150 | ADL29(*)-501-150 | |

90 DEGREE PLUG, ACCEPT SHILED CABLE



RECEPTACLE

| Item | Three-core Pin | Four-core Pin |
|--------------------------|------------------|------------------|
| Pictures | | |
| Product Number No HVIL | ADL083(*)-40-(&) | ADL084(*)-40-(&) |
| Product Number With HVIL | ADL083(*)-41-(&) | ADL084(*)-41-(&) |

NOTES:

(*) Denote KEY Position: X , Y , U

(&) Denote Cable size: 2.5 , 4 , 6

HOW TO ORDER RECEPTACLE

| Pictures | |
|----------|--|
| | <p style="text-align: right;">ADL 083 X - 40 - 2.5</p> <p>ADL Series</p> <p>(A) Connector type : 083: Three-core socket ; 084 : Four-core socket</p> <p>(B) Key position and color : "X" Key position Orange (Include X/Y/U Three key positions)</p> <p>(C) Product Series : 40 : Not contain HVIL , 41 : Contain HVIL</p> <p>(D) Cable size : 2.5 mm² , 4 mm² , 6 mm²</p> <p>Note: The above models are not all, please contact your sales representative if necessary.</p> |

RECEPTACLE INSTALL DIMENSION

| | |
|--|--|
| <p>ADL083(*)-40-(&) ADL083(*)-41-(&)</p> | <p>ADL084(*)-40-(&) ADL084(*)-41-(&)</p> |
|--|--|

RECEPTACLE PARAMETER TABLE, ACCEPT WIRES

| Series | Accepted Cable Size | Rated Voltage | Rated Current | Product Number No HVIL | Product Number With HVIL | PICTURES |
|-----------------------------|---------------------|---------------|---------------|------------------------|--------------------------|----------|
| 40A Three-core Series | 2.5mm ² | 1000V DC | 20A | ADL083(*)-40-2.5 | ADL083(*)-41-2.5 | |
| | 4mm ² | 1000V DC | 30A | ADL083(*)-40-4 | ADL083(*)-41-4 | |
| | 6mm ² | 1000V DC | 40A | ADL083(*)-40-6 | ADL083(*)-41-6 | |
| 40A Four-core Series | 2.5mm ² | 1000V DC | 20A | ADL084(*)-40-2.5 | ADL084(*)-41-2.5 | |
| | 4mm ² | 1000V DC | 30A | ADL084(*)-40-4 | ADL084(*)-41-4 | |
| | 6mm ² | 1000V DC | 40A | ADL084(*)-40-6 | ADL084(*)-41-6 | |

PLUG

| Item | Shielding Cable Three-core Integrated Plug | Unshielding Cable Three-core Integrated Plug | Shielding Cable Four-core Plug | Unshielding Cable Four-core Plug |
|--------------------------|---|---|-----------------------------------|-------------------------------------|
| Pictures | | | | |
| Product Number No HVIL | ADL163(*)-40-(&) | ADL463(*)-40-(&) | ADL184(*)-40-(&) | ADL484(*)-40-(&) |
| Product Number With HVIL | ADL163(*)-41-(&) | ADL463(*)-41-(&) | ADL184(*)-41-(&) | ADL484(*)-40-(&) |

NOTES:

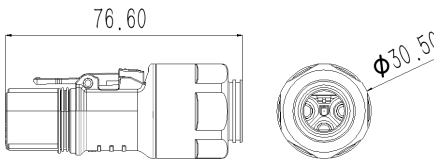
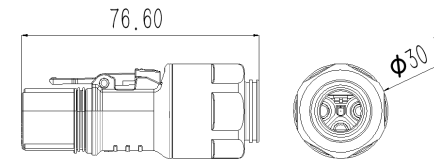
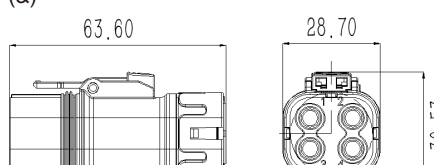
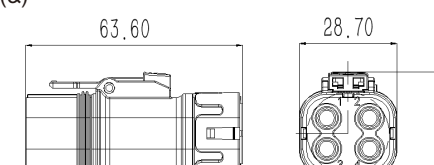
(*) Denote KEY Position: X , Y , U

(&) Denote Cable size: 2.5 , 4 , 6



HOW TO ORDER PLUG

| | |
|----------|--|
| Pictures | ADL 163 X - 40 - 2.5 |
| | <p>ADL Series</p> <p>(A) Connector type : 163 : Shielding Cable Three-core Integrated Plug 463 : Unshielding Cable Three-core Integrated Plug 184 : Shielding Cable Four-core Plug 484 : Unshielding Cable Four-core Plug</p> <p>(B) Key position and color : "X" Key position , Orange (Include X/Y/U Three key positions)</p> <p>(C) Product Series : 40 : Not contain HVIL ; 41 : Contain HVIL</p> <p>(D) Cable size : 2.5 mm² , 4 mm² , 6 mm²</p> <p>Note: The above models are not all, please contact your sales representative if necessary.</p> |

PLUG INSTALL DIMENSION

| | |
|--|--|
| <p>ADL163(*)-40-(& ADL163(*)-41-(&</p>  | <p>ADL463(*)-40-(& ADL463(*)-41-(&</p>  |
| <p>ADL184(*)-40-(& ADL184(*)-41-(&</p>  | <p>ADL484(*)-40-(& ADL484(*)-41-(&</p>  |

PLUG PARAMETER TABLE, ACCEPT SHIELDING CABLE

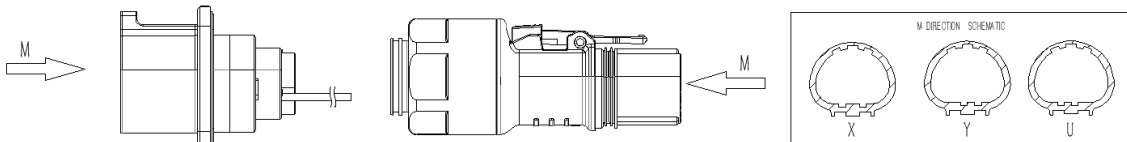
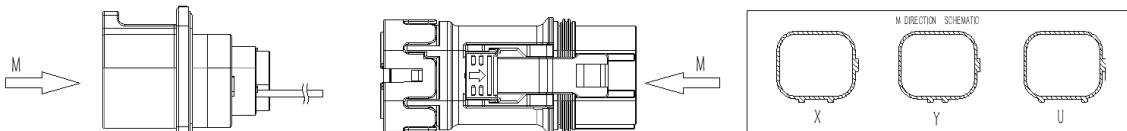
| Series | Accepted Cable Size | Rated Voltage | Rated Current | Shielding Cable Three-core Integrated Plug | Unshielding Cable Three-core Integrated Plug | Picture |
|------------------------|---------------------|---------------|---------------|--|--|---|
| 40A Three-poles Series | 2.5mm ² | 1000V DC | 20A | ADL163(*)-4(&-2.5 | ADL463(*)-4(&-2.5 |  |
| | 4mm ² | 1000V DC | 30A | ADL163(*)-4(&-4 | ADL463(*)-4(&-4 | |
| | 6mm ² | 1000V DC | 40A | ADL163(*)-4(&-6 | ADL463(*)-4(&-6 | |
| Series | Accepted Cable Size | Rated Voltage | Rated Current | Shielding Cable Four-core Plug | Unshielding Cable Four-core Plug | Picture |
| 40A Four-poles Series | 2.5mm ² | 1000V DC | 20A | ADL184(*)-4(&-2.5 | ADL484(*)-4(&-2.5 |  |
| | 4mm ² | 1000V DC | 30A | ADL184(*)-4(&-4 | ADL484(*)-4(&-4 | |
| | 6mm ² | 1000V DC | 40A | ADL184(*)-4(&-6 | ADL484(*)-4(&-6 | |

NOTES:

(*) Denote KEY Position: X , Y , U

(&) Denote HVIL : 0 : Not contain HVIL ; 1 : Contain HVIL

KEY POSITION

| |
|--|
| <p>40A Three-poles Series</p>  |
| <p>40A Four-poles Series</p>  |

RECEPTACLE

| | |
|-----------------------------|------------------|
| Item | Two-core Pin |
| Pictures | |
| Product Number No HVIL | ADL082(*)-60-(&) |
| Product Number With HVIL | ADL082(*)-61-(&) |

NOTES:

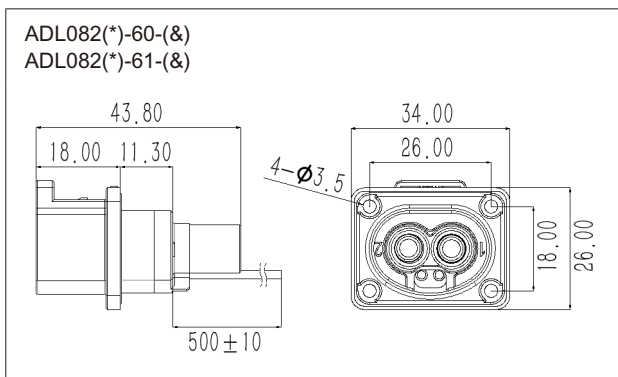
(*) Denote KEY Position: X , Y , U , V

(&) Denote Cable size: 2.5 , 4 , 6 , 10

HOW TO ORDER RECEPTACLE

| | |
|---|---|
| Pictures | ADL 082 X - 60 - 2.5 |
| | ADL Series |
| | (A) Connector type : 082: Two-core socket |
| | (B) Key position and color : "X" Key position , Orange (Include X/Y/U/V Four key positions) |
| | (C) Product Series : 60 : Not contain HVIL ; 61 : Contain HVIL |
| | (D) Cable size : 2.5 mm ² , 4 mm ² , 6 mm ² , 10 mm ² |
| <p>Note: The above models are not all, please contact your sales representative if necessary.</p> | |

RECEPTACLE INSTALL DIMENSION



RECEPTACLE PARAMETER TABLE, ACCEPT WIRES

| Series | Accepted Cable Size | Rated Voltage | Rated Current | Product Number No HVIL | Product Number With HVIL | PICTURES |
|---------------------------|---------------------|---------------|---------------|------------------------|--------------------------|----------|
| 60A Two-core Series | 2.5mm ² | 1000V DC | 25A | ADL082(*)-60-2.5 | ADL082(*)-61-2.5 | |
| | 4mm ² | 1000V DC | 35A | ADL082(*)-60-4 | ADL082(*)-61-4 | |
| | 6mm ² | 1000V DC | 45A | ADL082(*)-60-6 | ADL082(*)-61-6 | |
| | 10mm ² | 1000V DC | 60A | ADL082(*)-60-10 | ADL082(*)-61-10 | |

PLUG

| Item | Shielding Cable Two-core Plug | Unshielding Cable Two-core Plug | Shielding Cable Two-core Integrated Plug | Unshielding Cable Two-core Integrated Plug |
|--------------------------|-------------------------------|---------------------------------|--|--|
| Pictures | | | | |
| Product Number No HVIL | ADL182(*)-60-(&) | ADL482(*)-60-(&) | ADL162(*)-60-(&) | ADL462(*)-60-(&) |
| Product Number With HVIL | ADL182(*)-61-(&) | ADL482(*)-61-(&) | ADL162(*)-61-(&) | ADL462(*)-61-(&) |

NOTES:

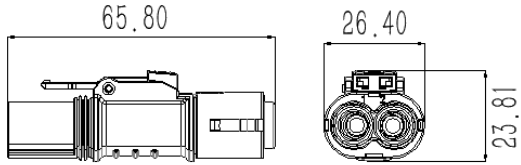
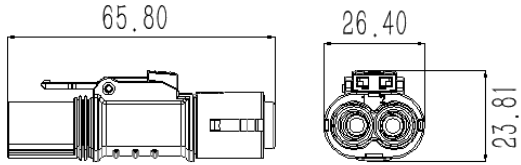
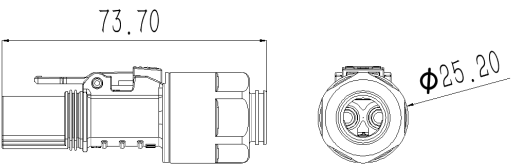
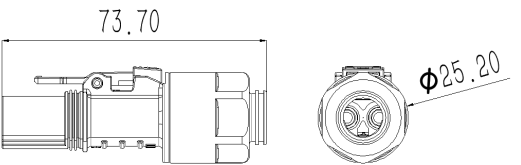
(*) Denote KEY Position : U , V , X , Y

(&) Denote Cable dimension : 2.5 , 4 , 6 , 10

HOW TO ORDER PLUG

| Pictures | |
|----------|---|
| | <p style="text-align: right;">ADL 182 X - 60 - 2.5</p> <p>ADL Series</p> <p>(A) Connector type : 182 : Shielding Cable Two-core Plug 162 : Shielding Cable Two-core Integrated Plug 482 : Unshielding Cable Two-core Plug 462 : Unshielding Cable Two-core Integrated Plug</p> <p>(B) Key position and color : "X" Key position , Orange (Include X/Y/U/V Four key positions)</p> <p>(C) Product Series : 60 : Not contain HVIL ; 61 : Contain HVIL</p> <p>(D) Cable size : 2.5 mm² , 4 mm² , 6 mm² , 10 mm²</p> <p>Note: The above models are not all, please contact your sales representative if necessary.</p> |

PLUG INSTALL DIMENSION

| | |
|--|--|
| <p>ADL182(*)-60-(& ADL182(*)-61-(&</p>  | <p>ADL482(*)-60-(& ADL482(*)-61-(&</p>  |
| <p>ADL162(*)-60-(& ADL162(*)-61-(&</p>  | <p>ADL462(*)-60-(& ADL462(*)-61-(&</p>  |

PLUG PARAMETER TABLE, ACCEPT SHIELDING CABLE

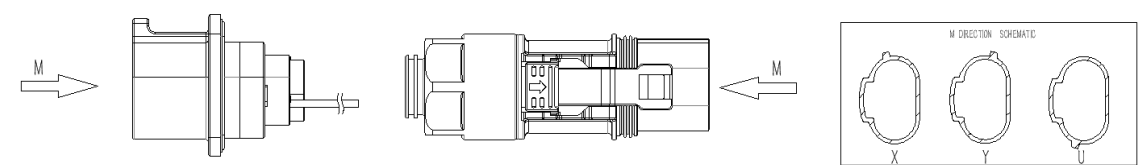
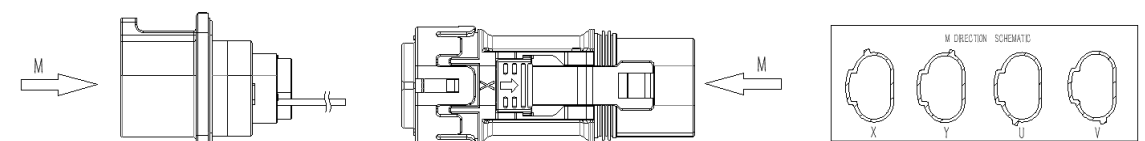
| Series | Accepted Cable Size | Rated Voltage | Rated Current | Shielding Cable Two-poles Plug | Unshielding Cable Two-poles Plug | Shielding Cable Two-poles Integrated Plug | Unshielding Cable Two-poles Integrated Plug |
|---------------------|---------------------|---------------|---------------|--------------------------------|----------------------------------|---|---|
| 60A Two-core Series | 2.5mm ² | 1000V DC | 25A | ADL182(*)-6(&)-2.5 | ADL482(*)-6(&)-2.5 | ADL162(*)-6(&)-2.5 | ADL462(*)-6(&)-2.5 |
| | 4mm ² | 1000V DC | 35A | ADL182(*)-6(&)-4 | ADL482(*)-6(&)-4 | ADL162(*)-6(&)-4 | ADL462(*)-6(&)-4 |
| | 6mm ² | 1000V DC | 45A | ADL182(*)-6(&)-6 | ADL482(*)-6(&)-6 | ADL162(*)-6(&)-6 | ADL462(*)-6(&)-6 |
| | 10mm ² | 1000V DC | 60A | ADL182(*)-6(&)-10 | ADL482(*)-6(&)-10 | ADL162(*)-6(&)-10 | ADL462(*)-6(&)-10 |

NOTES:

(*) Denote KEY Position: X, Y, U, V

(&) Denote HVIL: 0 : Not contain HVIL ; 1 : Contain HVIL)

KEY POSITION

| |
|--|
| <p>60A Two-core Plug</p>  |
| <p>60A Two-core Integrated Plug</p>  |

ADES 10.3mm HV connector (70-107mm² cable)



ADES 10.3mm Energy Storage HV connector is developed for high current energy storage application, easy plug and play, quick mate/unmate, high safety and reliability, space saving.

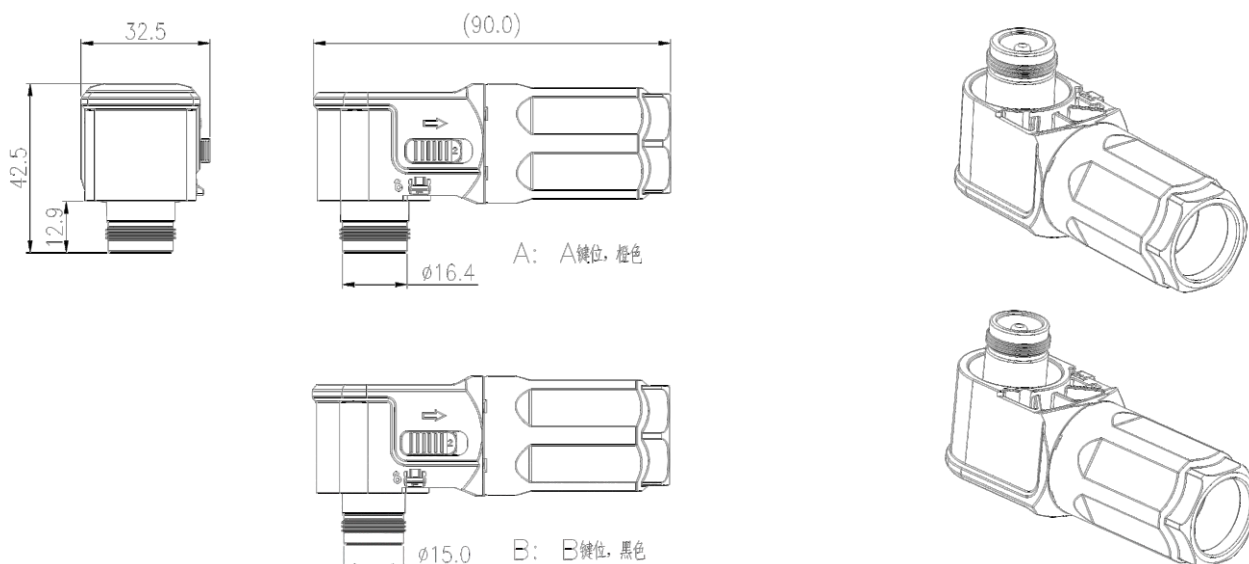
A lower cost application, better than traditional lug and bus bar installation, a better solution for new generation energy storage system.

Features

- Different color option for Terminal In and Out
- One-piece plastic housing, easy to assemble
- Secondary-locking for high safety
- 360° rotation
- IP67 rated

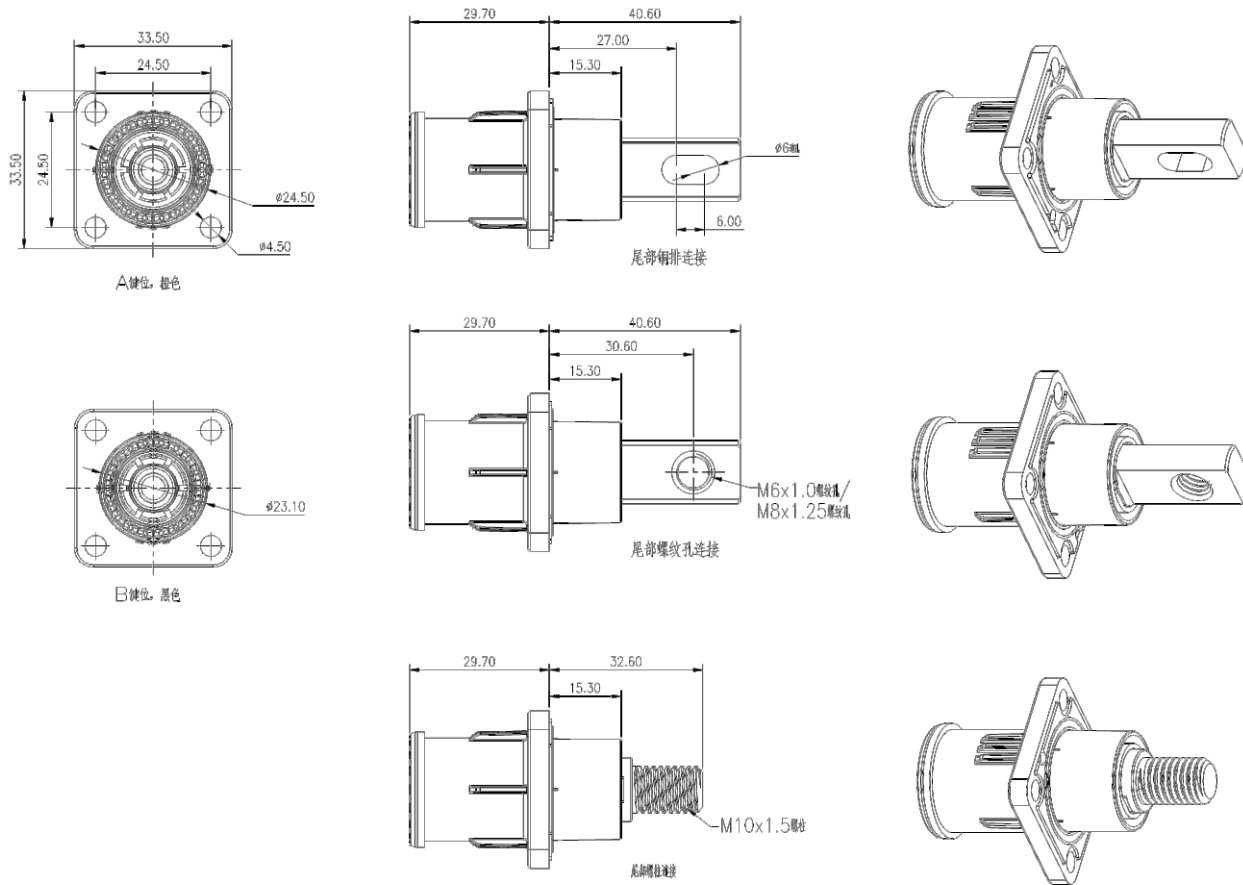
| Technical Specification | |
|----------------------------|--|
| Mating cycle | ≥500 |
| Mating force | < 100N |
| Cable size | 70 to 95mm ² unshielded cable 2/0 to 4/0 AWG |
| Rated current | 250A to 350A |
| Rated voltage | 1500V DC |
| Withstand voltage | TUV 4260VAC/UL 6800VAC |
| Insulation re- sistance | ≥200MΩ (DC1500V) |
| IP rating | IP67 |
| Operating temp | -40°C ~ 125°C |
| Contact | Copper alloy, silver plating |
| Housing | PA66 |
| Flammability | UL94V0 |

*ADES 10.3 mm HV connector plug dimension:



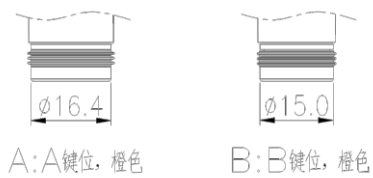
14.0mm for 400A & 500A application is available upon request!

ADES 10.3mm HV connector receptacle dimension:

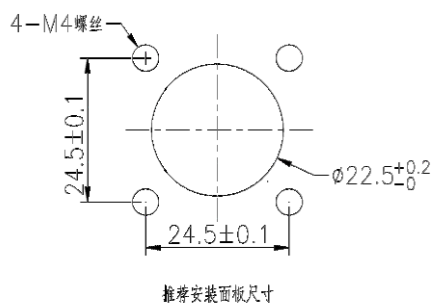


ADES 10.3mm HV connector keyway:

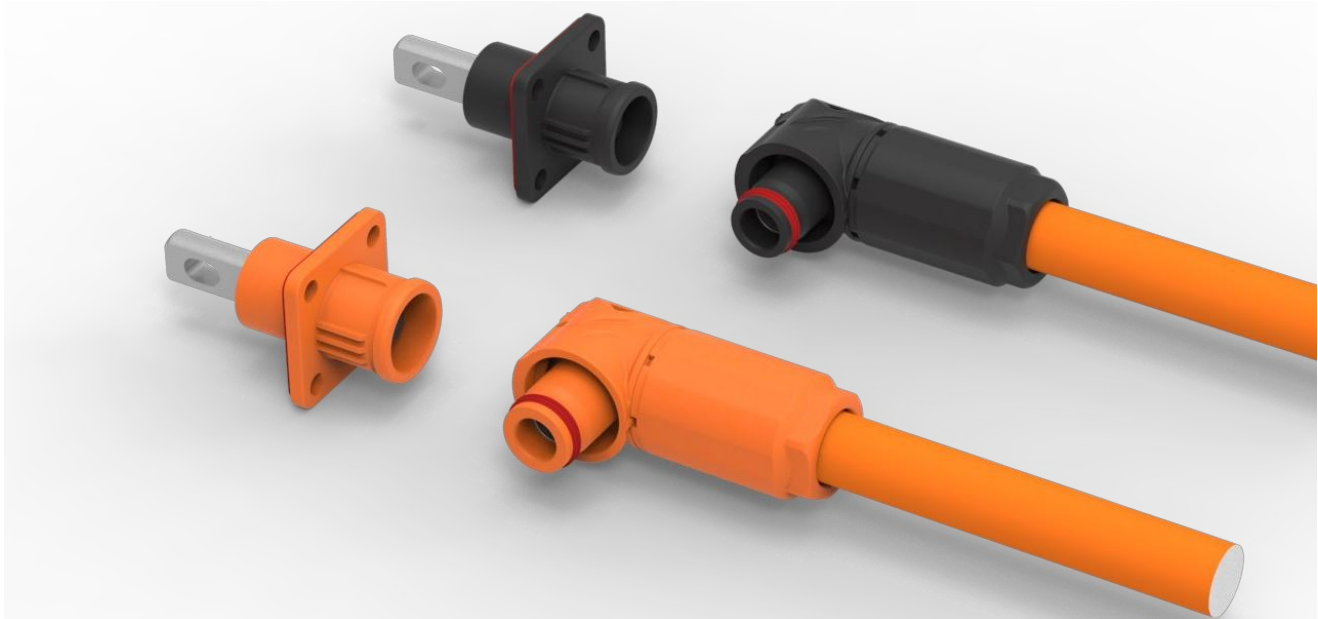
Key A: Orange Key B: Orange



ADES 10.3mm HV connector panel mounting dimension



ADES 8mm HV connector (35-50mm² cable)



ADES 8mm Energy Storage HV connector is developed for high-current energy storage application, easy plug and play, quick mate/unmate, high safety and reliability, space-saving.

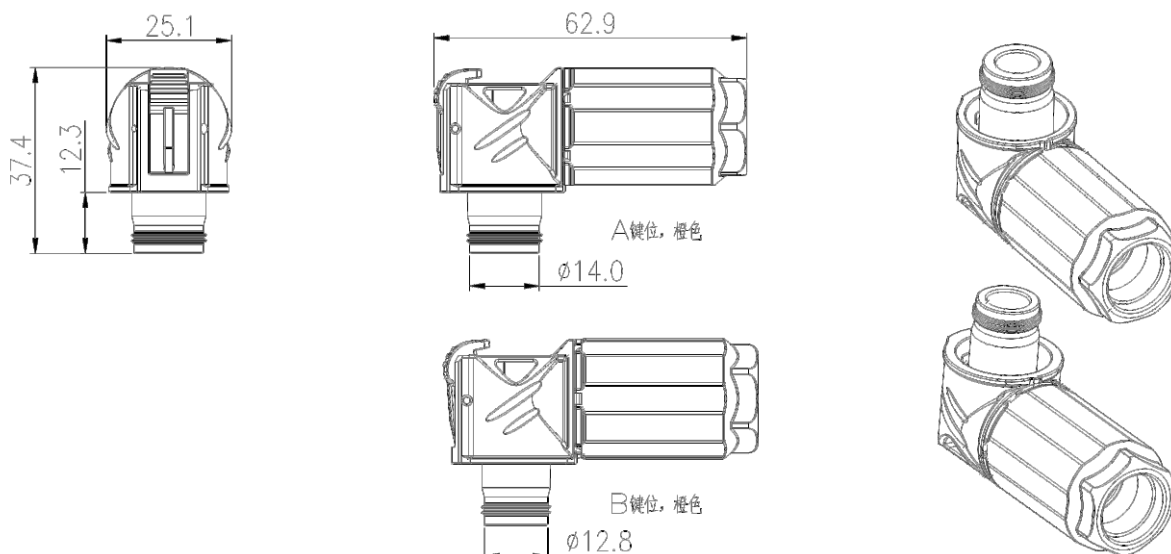
A lower cost application, better than traditional lug and bus bar installation, a better solution for new generation energy storage system.

Features

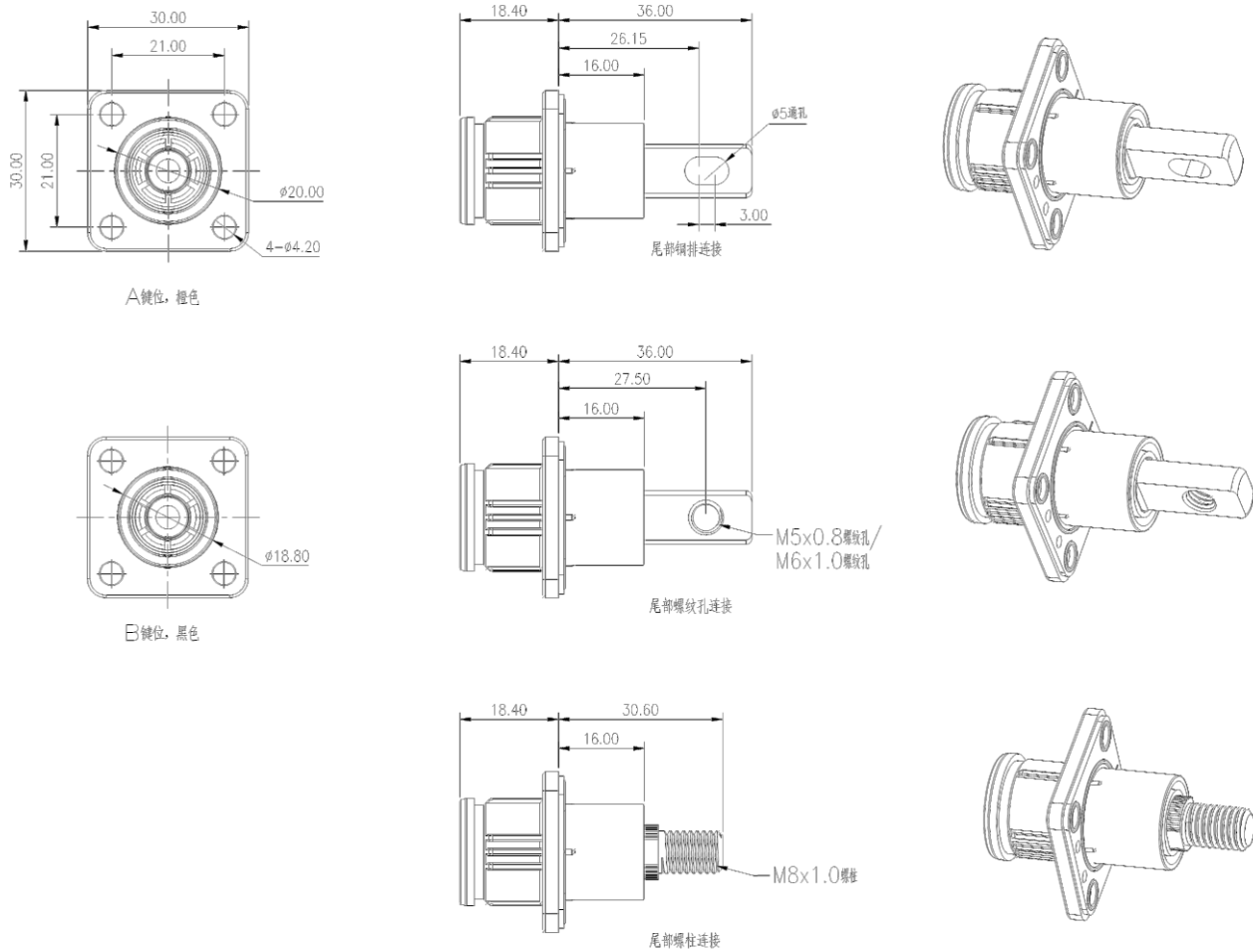
- Different color option for Terminal In and Out
- One-piece plastic housing, easy to assemble
- Secondary-locking for high safety
- 360° rotation
- IP67 rated

| Technical Specification | |
|-------------------------|--|
| Mating cycle | ≥500 |
| Mating force | < 100N |
| Cable size | 35 to 50mm ² unshielded cable |
| Rated current | 150A to 200A |
| Rated voltage | 1500V DC |
| Withstand voltage | TUV 4260VAC/UL 6800VAC |
| Insulation resistance | ≥200MΩ (DC1500V) |
| IP rating | IP67 |
| Operating temp | -40°C to 125°C |
| Contact | Copper alloy, silver plating |
| Housing | PA66 |
| Flammability | UL94V0 |

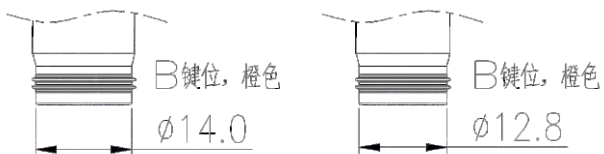
ADES 8.0mm HV connector plug dimension:



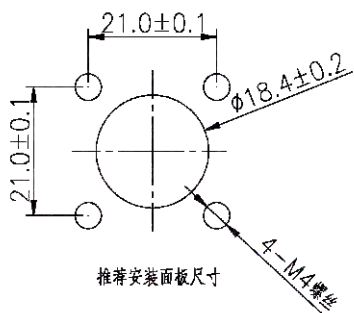
ADES 8mm HV connector receptacle dimension:



ADES 8mm HV connector keyway :



ADES 8mm HV connector panel mounting dimension :



ADES 6mm high voltage connector (16-25mm² cable)



ADES 6mm Energy Storage HV connector is developed for high-current energy storage application, easy plug and play, quick mate/unmate, high safety and reliability, space-saving.

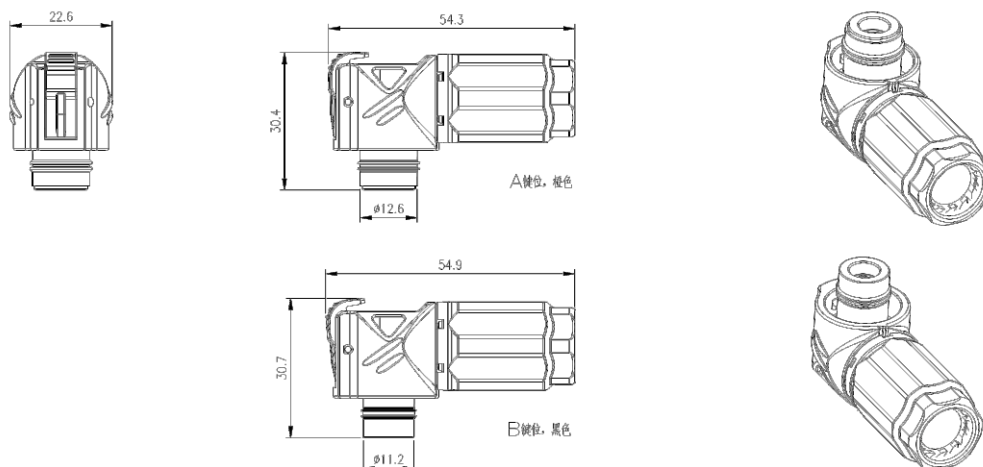
A lower cost application, better than traditional lug and bus bar installation, a better solution for new generation energy storage system.

Features

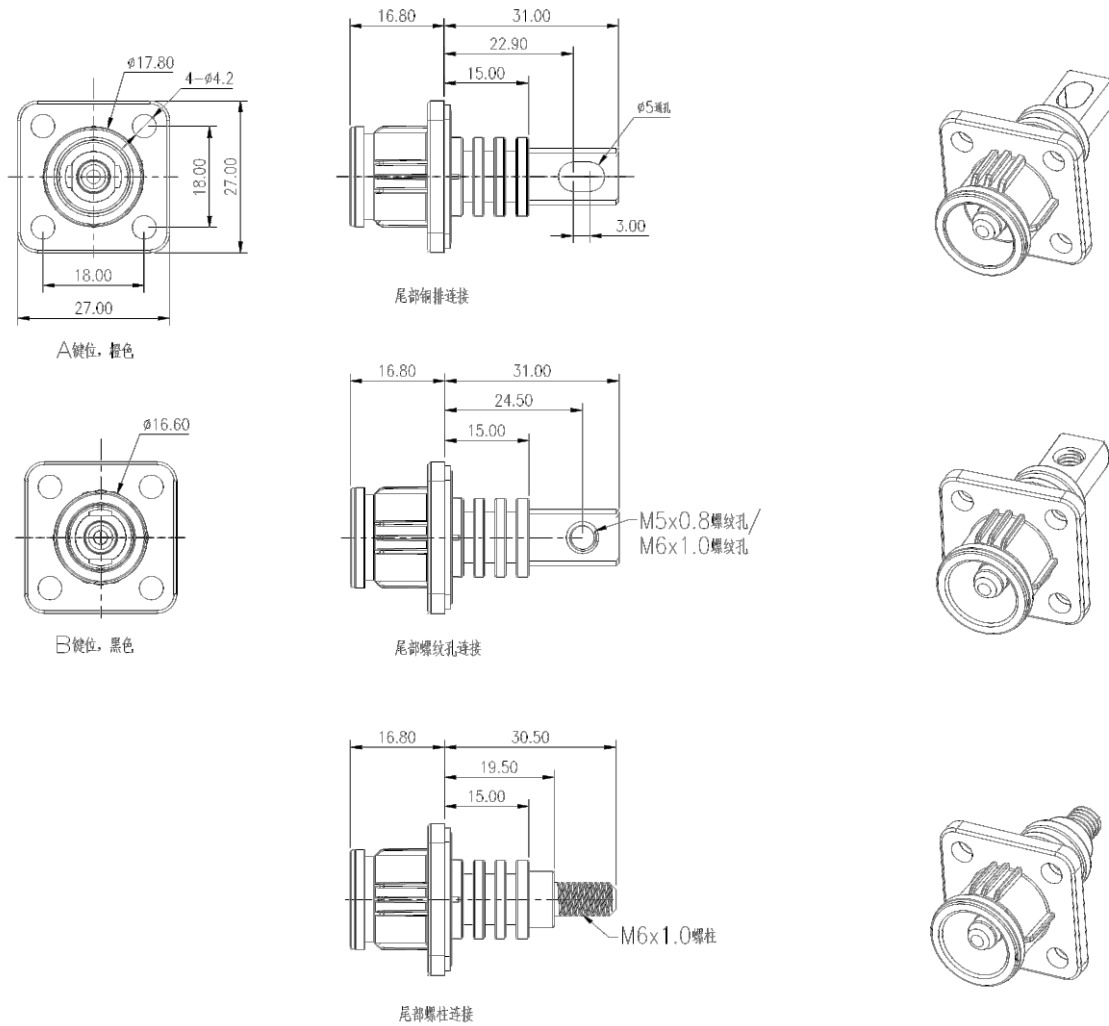
- Different color option for Terminal In and Out
- One-piece plastic housing, easy to assemble
- Secondary-locking for high safety
- 360° rotation
- IP67 rated

| Technical Specification | |
|-------------------------|---|
| Mating cycle | ≥500 |
| Mating force | < 100N |
| Cable size | 16 to 25mm ² unshielding cable |
| Rated current | 80A to 125A |
| Rated voltage | 1500V DC |
| Withstand voltage | TUV 4260VAC/UL 6800VAC |
| Insulation resistance | ≥200MΩ (DC1500V) |
| IP rating | IP67 |
| Operating temp | -40°C ~ 125°C |
| Contact | Copper alloy, Silver plating |
| Housing | PA66 |
| Flammability | UL94V0 |

ADES 6.0mm HV connector plug dimension



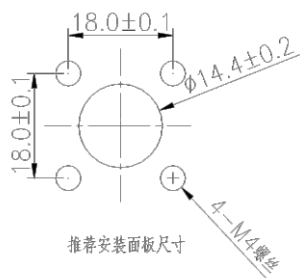
ADES 6mm HV connector receptacle dimension:



ADES 6mm HV connector keyway:



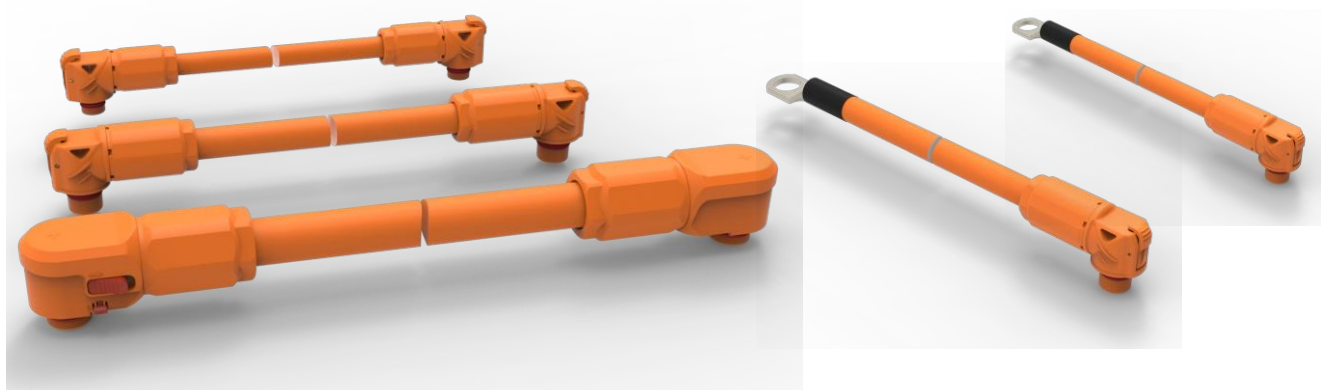
ADES 6mm HV connector panel mounting dimension:



ADES HV connector ordering code

| ADES HV connector series | ADES | X | X | X | X | X | XX | XX | X - | XX |
|---|------|---|---|---|---|---|----|----|-----|----|
| Poles : 1=single pole ; | | | | | | | | | | |
| Housing : 2=Plastic ; | | | | | | | | | | |
| Plug/Receptacle : 2=Receptacle (flange) ; 3= 90° R/A plug (button) ; | | | | | | | | | | |
| HVIL : B= w/t HVIL ; | | | | | | | | | | |
| Secondary locking : S= with ; N=w/t ; | | | | | | | | | | |
| Contact size : 19=6mm ; 20=8mm ; 24=10.3mm ; | | | | | | | | | | |
| Termination (Plug means cable size , Receptacle means termination) : Plug : 16=16mm ² ; 17=25mm ² ; 18 = 35mm ² ; 19 = 50mm ² ; 20 = 70mm ² ; 21 = 95mm ² ; Receptacle : HX= ΦX through hole(bus bar) BX= MX Bolt ; MX= MX Threaded hole(bus bar) ; | | | | | | | | | | |
| Error proof key way (color) / : A= A Keyway, Orange ; B=B Keyway, Black ; | | | | | | | | | | |
| Note code : | | | | | | | | | | |

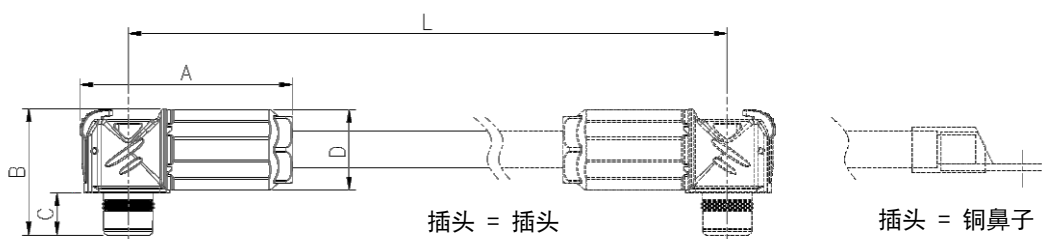
ADES HV connector cable assembly



ADES cable assembly

Customize cable assembly per your cable length, easy plug and play, quick installation in field, increase project efficiency.

| Technical Specification | |
|-------------------------|--|
| Mating cycle | ≥500 |
| Mating force | < 100N |
| Cable size | 16 to 95mm ² unshielding cable Up to 4/0 AWG |
| Rated current | 80A to 350A |
| Rated voltage | 1500V DC |
| Withstand voltage | TUV 4260VAC/UL 6800VAC |
| Insulation resistance | ≥200MΩ (DC1500V) |
| IP rating | IP67 |
| Operating temp | -40°C to 125°C |
| Cable insulation | XLPE / PVC / silicone |
| Flammability | UL94V0 |



| Size (mm) | Cable size (mm ²) | Current (A) | Assembly connector dimension (mm) | | | |
|-------------|--------------------------------|---------------|-------------------------------------|------|------|------|
| | | | A | B | C | D |
| 6.0 | 16 | 80 | 54.3 | 30.1 | 8.7 | 19.5 |
| | 25 | 125 | | | | |
| 8.0 | 35 | 150 | 62.5 | 36.9 | 12.3 | 23.5 |
| | 50 | 200 | | | | |
| 10.3 | 70 | 250 ~ 300 | 85.2 | 36.6 | 8.9 | 29.0 |
| | 95 4/0 AWG | 300 ~ 350 | | | | |

ADES connector cable assembly ordering code

ADES Cable Assembly ADECA XXXX XXXX - XXX

Connector type :

ADESES= ADES series + ADES series ;

ADES00 = EES series +Lug/ Pigtail ;

Cable length :

0500 = 500mm ;

Note code : 001~999 ;

ADEHB Bolt terminal connector



ADFTC Bolt terminal connector

Energy storage application, provide high voltage, high current connection in system.

Positive and Negative, Orange(+) and Black(-) housing

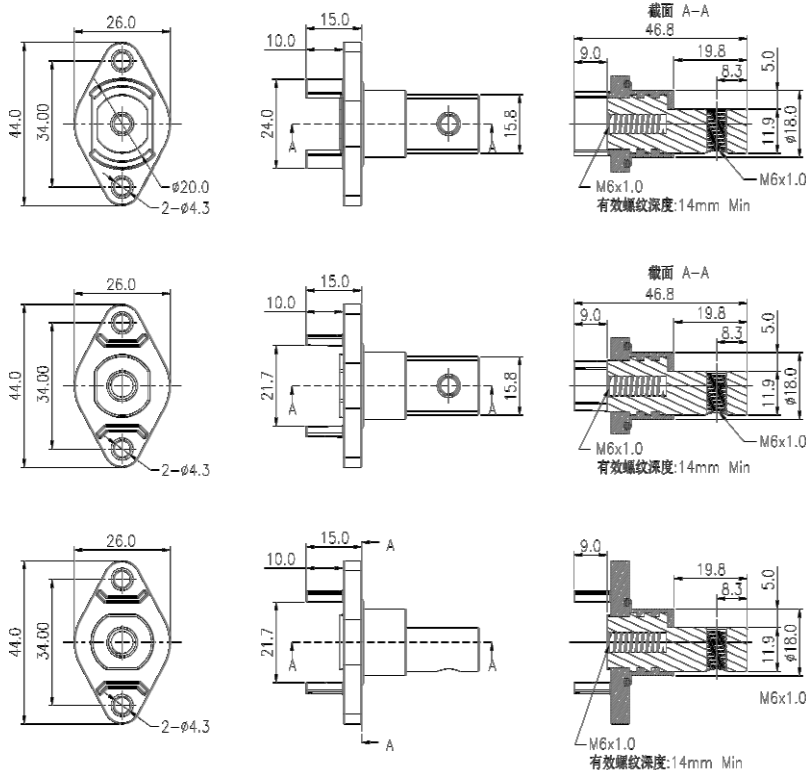
Bolt, Through hole and Threaded hole termination for easy installation

Features

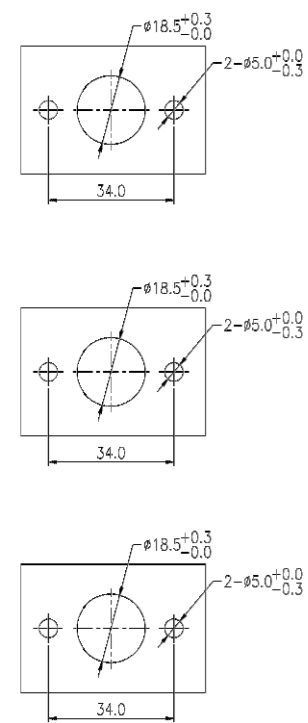
- IP 67 rated, unmated ;
- Colorful polarity
- Straight or R/A termination
- 2 mounting holes

| Technical specification | |
|-------------------------|----------------------------|
| Rated current | 300A MAX. |
| Rated voltage | 1000V DC |
| Withstand voltage | 3000V AC |
| Insulation resistance | ≥1000MΩ (DC500V) |
| Salt spray | 48 hours |
| IP rating | IP67 (unmated condition) |
| Operating temp | -40°C to 125°C |
| Contact | Copper alloy |
| Flammability | UL94V0 |

ADFTC Bolt connector dimension :



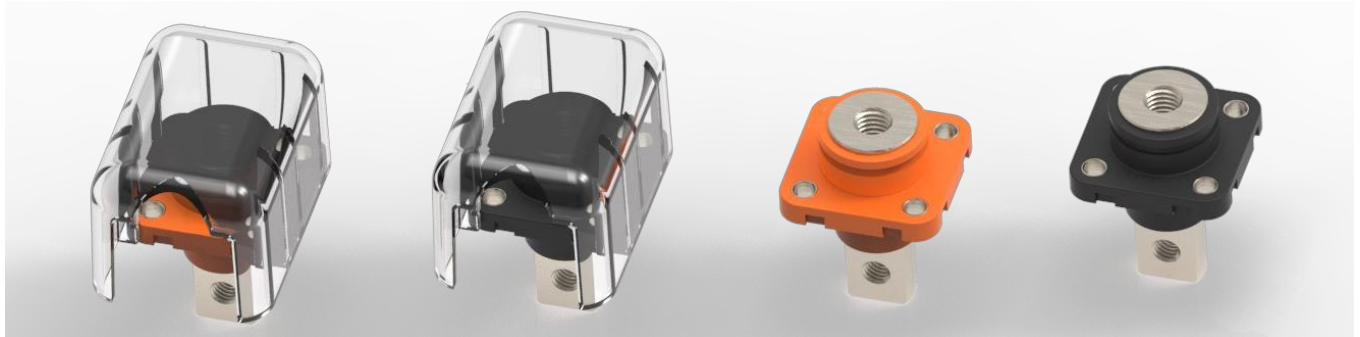
ADFTC panel mounting dimension :



ADFTC Bolt terminal ordering code

| | | | | | | | | | |
|---|-------|---|---|---|---|---|----|---|--|
| ADFTC series | ADFTC | X | 1 | B | N | X | XX | X | |
| Connector type : 3= Type A ; 4=Type B | | | | | | | | | |
| Hole : 1 = Single pole ; | | | | | | | | | |
| HVIL : B = w/t ; | | | | | | | | | |
| Shielding : N = non-shielding ; | | | | | | | | | |
| Termination :; 6=Bolt M6 thred ; 8= Bolt M8 thread ; | | | | | | | | | |
| End termination : MX=MX Threaded hole ; TX=MX Threaded hole 90° EX=MX Threaded hole(Extended, straight) ; HX=φX Through hole, straight | | | | | | | | | |
| Housing color : A=Orange ; B=Black ; | | | | | | | | | |

ADEHB Type C Bolt Terminal



ADFTC Bolt terminal connector

Energy storage application, provide high voltage, high current connection in system.

Positive and Negative, Orange(+) and Black(-) housing

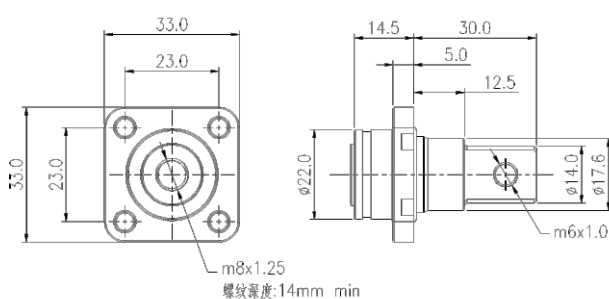
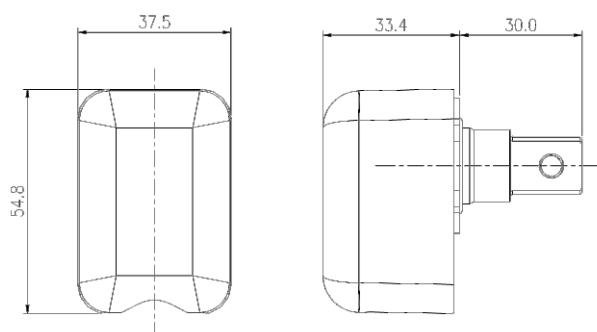
Bolt, Through hole and Threaded hole termination for easy installation

Features

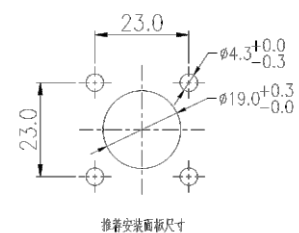
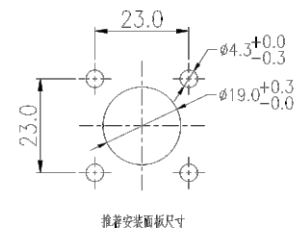
- IP 67 rated, unmatd ;
- Colorful polarity
- Straight or R/A termination
- 4 mounting holes

| Technical Specification | |
|-------------------------|------------------|
| Rated current | 300A MAX. |
| Rated voltage | 1000V DC |
| Withstand voltage | 3000V AC |
| Insulation resistance | ≥1000MΩ (DC500V) |
| Salt spray | 48 hours |
| IP rating | IP67 unmatd |
| Operating temp | -40°C to 125°C |
| Contact | Copper alloy |
| Flambility | UL94V0 |

ADEHB Type C terminal dimension:



ADEHB Type C terminal panel mounting dimension :



ADFTC Type C Terminal ordering code

| | | | | | | | | | |
|---|-------|---|---|---|---|---|----|---|--|
| ADFTC Type C terminal | ADFTC | 5 | 1 | B | N | X | XX | X | |
| Connector type : 5= Type C ; | | | | | | | | | |
| Pole : 1 = Single pole ; | | | | | | | | | |
| HVIL : B = w/t HVIL ; | | | | | | | | | |
| Shielding : N = non-shielding ; | | | | | | | | | |
| Termination :; 6=Bolt M6 threaded ; 8=Bolt M8 threaded ; | | | | | | | | | |
| End termination : MX=MX Threaded hole ; | | | | | | | | | |
| EX=MX Threaded hole, extended end ; HX=φX Through hole (end through hole); | | | | | | | | | |
| Housing color : A=Orange ; B=Black ; | | | | | | | | | |

ADFTC Plastic HV Junction box



ADFTC Bolt terminal connector

Energy storage application, provide high voltage, high current connection in system.

Positive and Negative, Orange(+) and Black(-) housing

Bolt, Through hole and Threaded hole termination for easy installation

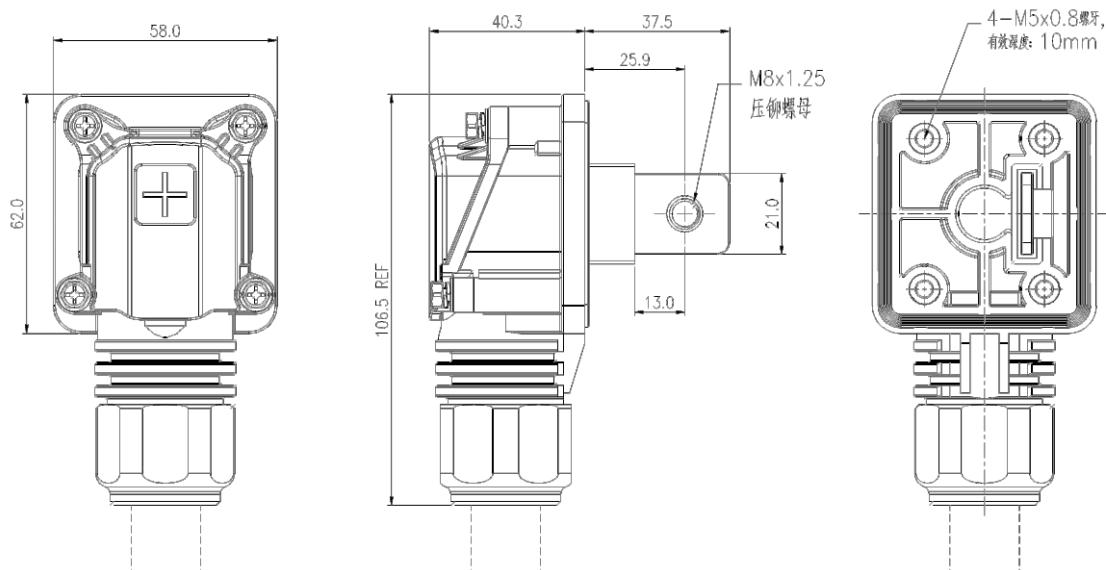
Features

- IP 67 rated, unmated ;
- Colorful polarity
- Straight or R/A termination

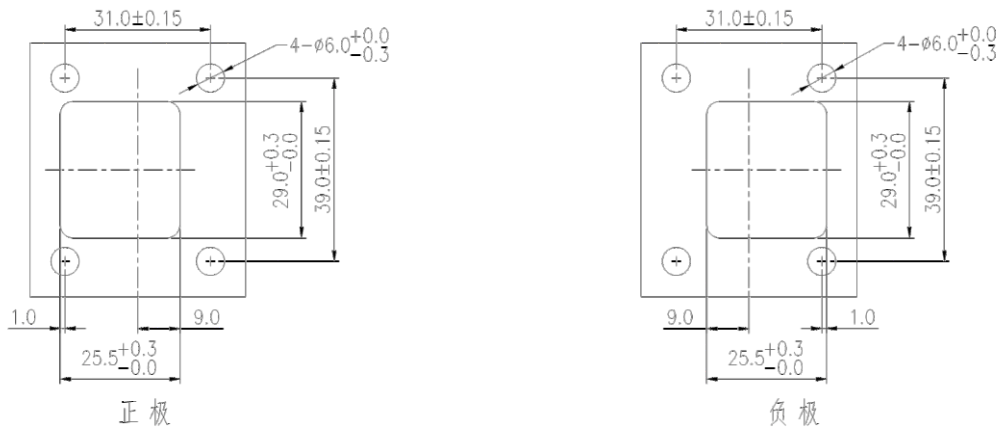
Technical Specification

| | |
|-----------------------|------------------------------|
| Mating cycle | ≥500 次 |
| Cable size | 35 to 70mm ² |
| Rated current | 150A to 300A |
| Rated voltage | 1500V DC |
| Withstand voltage | 4000V AC |
| Insulation resistance | ≥200MΩ (DC1000V) |
| Salt spray | 48 hours |
| IP rating | IP67 |
| Operating Temp | -40°C to 125°C |
| Contact | Copper alloy, silver plating |
| Housing | PA66 |
| Flambility | UL94V0 |

ADFTC plastic junction box dimension :

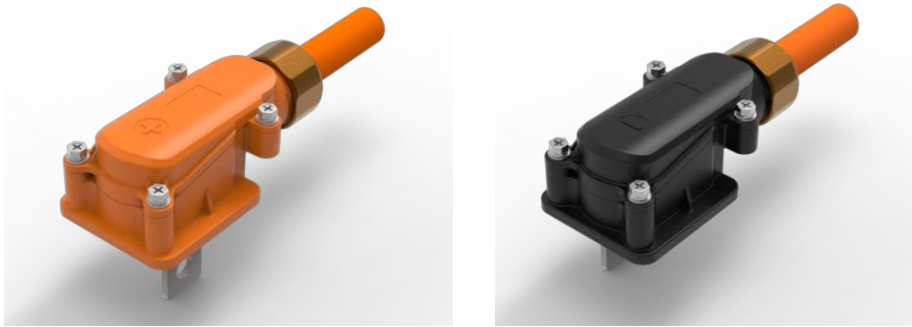


ADFTD Plastic junction box panel mounting dimension:



ADFTD HV Junction box ordering code

| | | | | | | | | |
|--|-----|---|---|---|---|---|----|---|
| ADFTD Junction Box | EHB | 1 | 1 | B | N | X | XX | X |
| Connector type: 2= plastic junction box | | | | | | | | |
| Hole : 1 = Single hole ; | | | | | | | | |
| HVIL: B = w/t HVIL ; | | | | | | | | |
| Shielding: N = Non-shielding ; | | | | | | | | |
| Termination: 1=bus bar through hole ; 2=threaded hole; | | | | | | | | |
| Cable size: 18=35mm ² ; 19=50mm ² ; 20=70mm ² ; | | | | | | | | |
| Housing color: A=Orange (+) ; B=Black (-) ; | | | | | | | | |



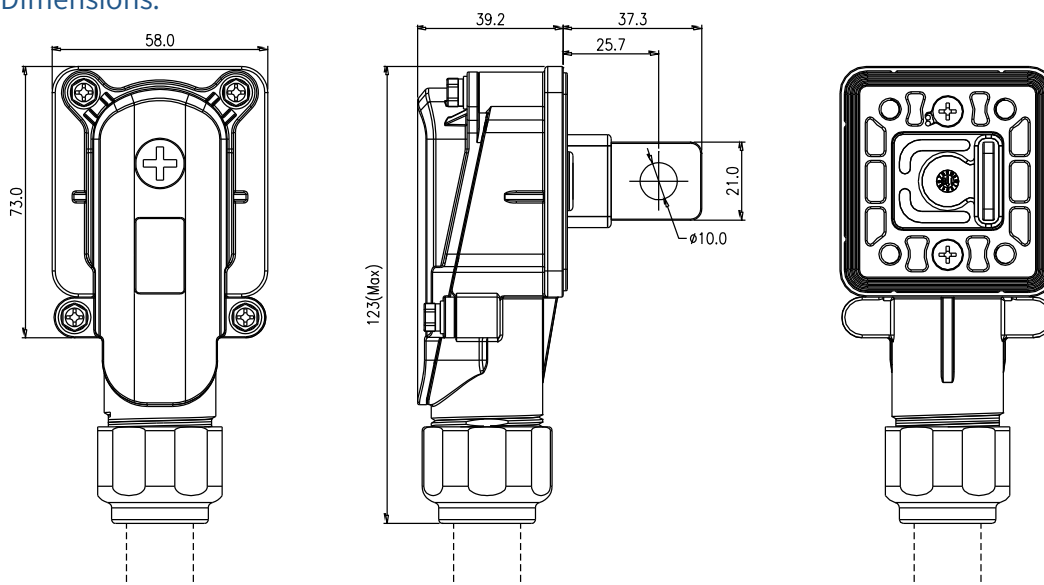
ADFTD metal high voltage junction box connector, mainly used for electric vehicle high voltage distribution box, battery, to provide stable high voltage, large current transmission between equipment; There are positive and negative points, shell color is very orange, negative is very black; The connector is connected by locking the wiring terminal, convenient installation and later maintenance; After crimping the cable, insert it into the connector for convenient operation and high efficiency. Eliminating pinhole contact mode, more reliable performance, lower cost than most high-current connectors; Product terminals have through holes, threaded holes, etc., convenient for customers to install;

Features

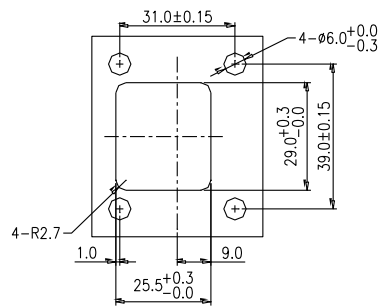
- Optional HVIL;
- Sealing IP68;
- Touch-proof design;
- Positive and negative colors are optional;

| Technical Specification | |
|------------------------------|---------------------------------------|
| Mating cycle | ≥ 500 |
| Insertion and removal force | < 100N |
| Wier range | 35 ~ 70mm ² Shielding wire |
| Current rating | 150A ~ 300A |
| Current voltage | 1000V DC |
| Dielectric withstand voltage | 3000V AC |
| Insulation resistance | ≥200 MΩ (DC1000V) |
| Temperature rise | ≤55 K |
| Salt spray | 48 Hours |
| Degree of protection | IP68 |
| Temperature range | -40°C ~ 125°C |
| Terminal | Copper alloy, silver plated |
| Shell | Aluminum alloy, oil injection |
| Flame class | UL94V0 |

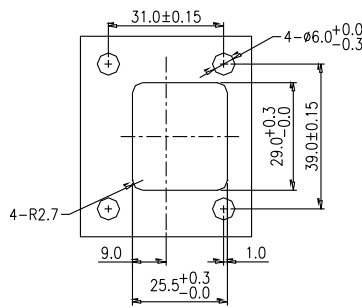
Dimensions:



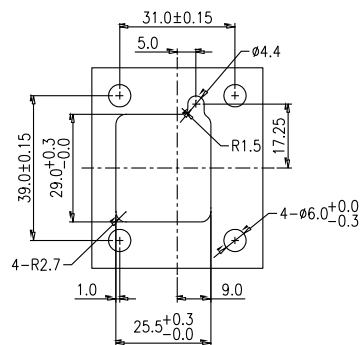
Panel mounting size:



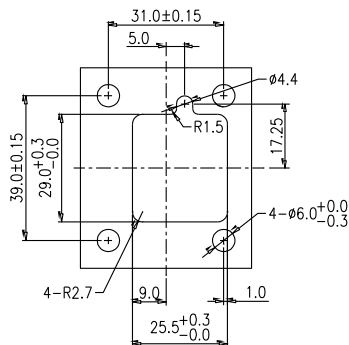
Positive without interlock



negative without interlock



Positive with interlock



negative with interlock

ADFTD metal high voltage junction box connector selection instructions

| | | | | | | | | |
|---|-----|---|---|---|---|---|----|---|
| ADFTD wiring connector series | EHB | 1 | 1 | X | S | X | XX | X |
| Connector type: 1= metal junction box | | | | | | | | |
| Pin : 1 = Single pin | | | | | | | | |
| Interlock: L = with interlock; B = without interlocking; | | | | | | | | |
| Shielding: S = shielding; | | | | | | | | |
| Connection mode: 1 = copper bar through hole; 2 = copper bar threaded hole | | | | | | | | |
| Applicable cable: 18=35 mm ² ; 19 = 50 mm ² ; 20 = 70 mm ² | | | | | | | | |
| Shell color: A= orange (positive); B= black (negative); | | | | | | | | |

ADECT plastic type-A through hole connector (25 ~70mm²)



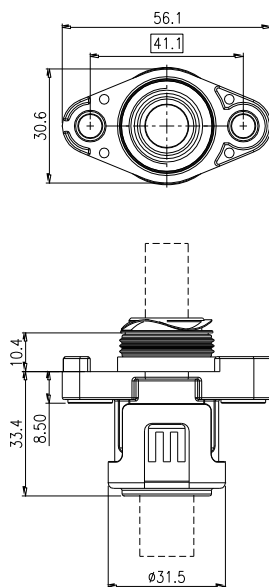
ADECT plastic Type-A through-hole connector , economical and low cost solution. Suitable for motors, inverters, batteries, DC/DC converters.

Features

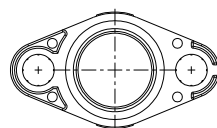
- 1 to 3 cores available;
- Plastic shell, light weight;
- Simple installation, reliable connection;
- IP67 (after installation);
- Excellent shielding effect.

| Technical Specification | |
|------------------------------|--|
| connection Type | Crimp |
| Wire range | 25 ~ 70mm ² Shielded wire 25 ~ 70mm ² Unshielded wire |
| Current rating | 120A ~ 250A |
| Voltage rating | 1000V DC |
| Insulation resistance | ≥ 200M Ω (DC1000V) |
| Dielectric withstand voltage | 3000V AC |
| EMI | 360° Shielding |
| Degree of protection | IP67 (Mated) |
| Temperature range | -40°C 至 +125°C |
| Shell | PA66 |
| Flame class | UL94V0 |

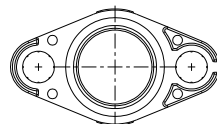
1-hole dimensions



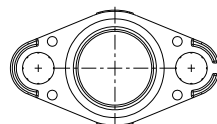
Codings



Code A

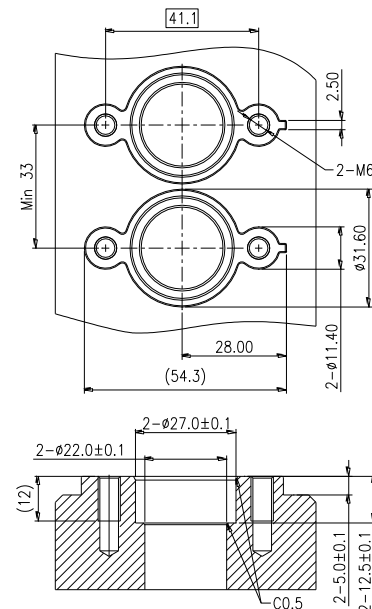


Code B

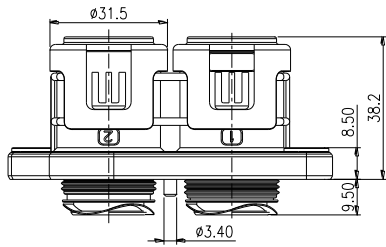
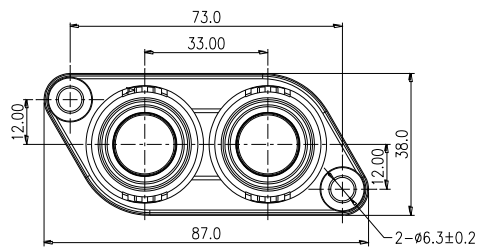


Code C

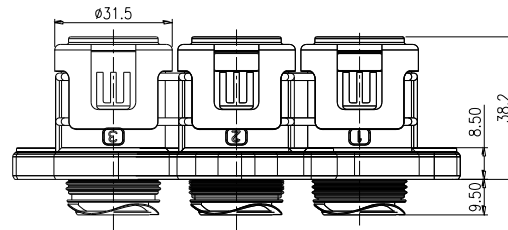
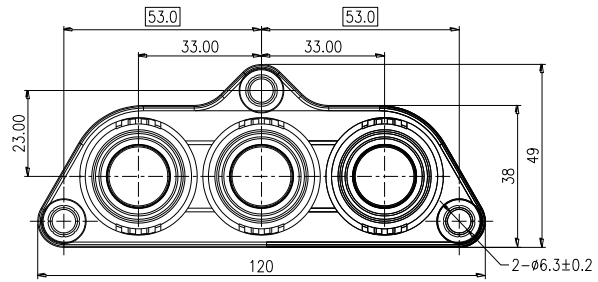
panel mounting size:



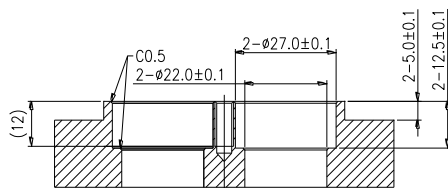
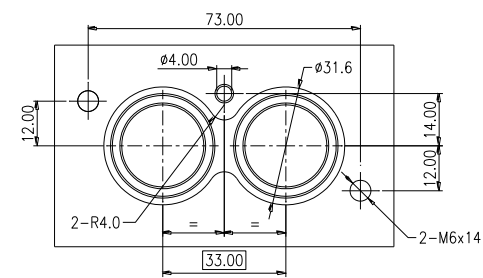
2-hole dimensions



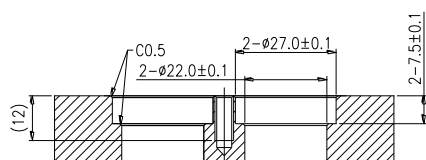
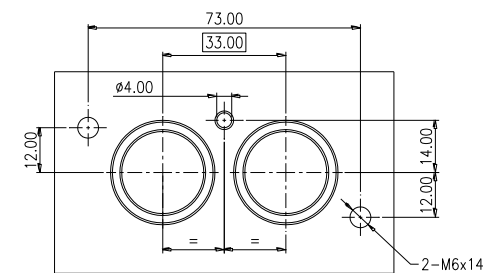
3-hole dimensions



2-hole panel mounting size

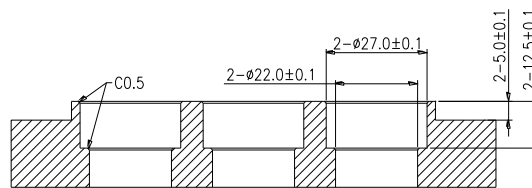
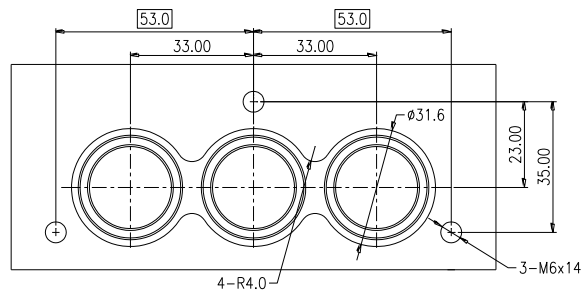


TYPE 1

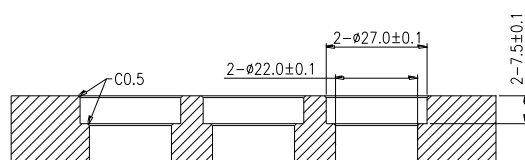
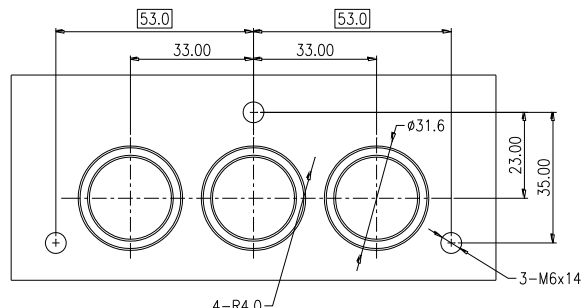


TYPE 2

3-hole panel mounting size



TYPE 1

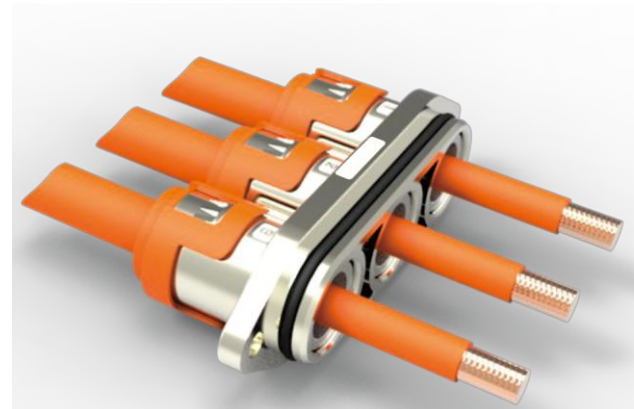


TYPE 2

ADECT plastic type-A through-hole connector selection instructions

| ADECT through hole connector series | ADECT | X | X | XX | X | | | |
|--|-------|---|---|----|---|--|--|--|
| Connector Type: 2=Plastic TYPEA shielding model; 4=Plastic TYPEA unshielded; | | | | | | | | |
| Holes : 1=1-hole ; 2=2-hole ; 3=3-hole ; | | | | | | | | |
| Cable mm ² : 17 = 25 mm ² ; 18 = 35 mm ² ; 19 = 50 mm ² ; 20 = 70 mm ² ; | | | | | | | | |
| Codings: A = Code A; B = Code B; C = Code C; ... | | | | | | | | |

ECT metal type-A through-hole connector (16-25 mm²)



ECT Metal through-hole connector, economical and low cost solution. Suitable for motors, inverters, batteries, DC/DC converters.

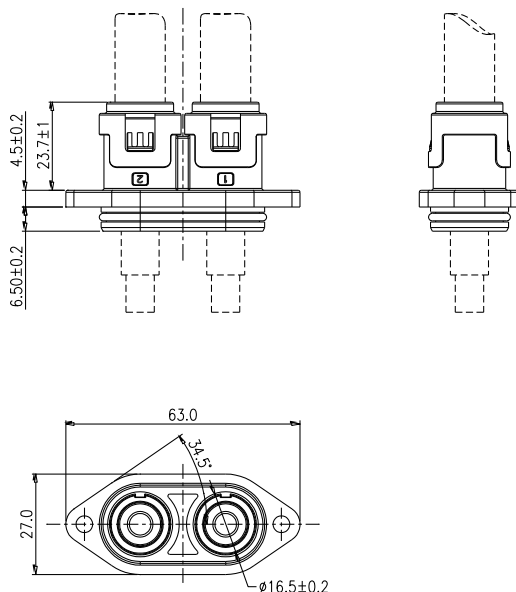
Features

- 2 to 3 cores optional;
- Aluminum alloy shell, light weight;
- Simple installation, reliable connection;
- Protection class IP67 (after installation);
- Excellent shielding effect.

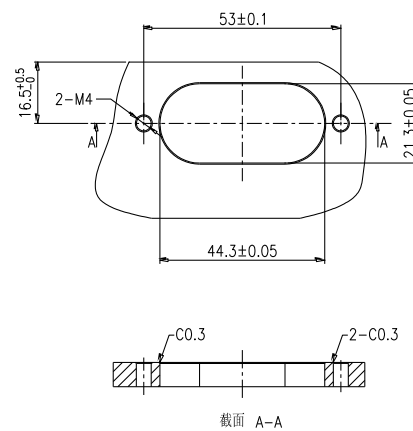
Technical Specification

| Technical Specification | |
|------------------------------|--------------------------------------|
| connection Type | Crimp |
| Wire range | 16 ~ 25mm ² Shielded wire |
| Current rating | 80A ~ 120A |
| Voltage rating | 1000V DC |
| Insulation resistance | ≥ 200M Ω (DC1000V) |
| Dielectric withstand voltage | 3000V AC |
| EMI | 360° Shielding |
| salt spray | 48 hours |
| Degree of protection | IP67 (Mated) |
| Temperature range | -40°C ~ +125°C |
| Shell | Aluminium alloy |
| Flame class | UL94V0 |

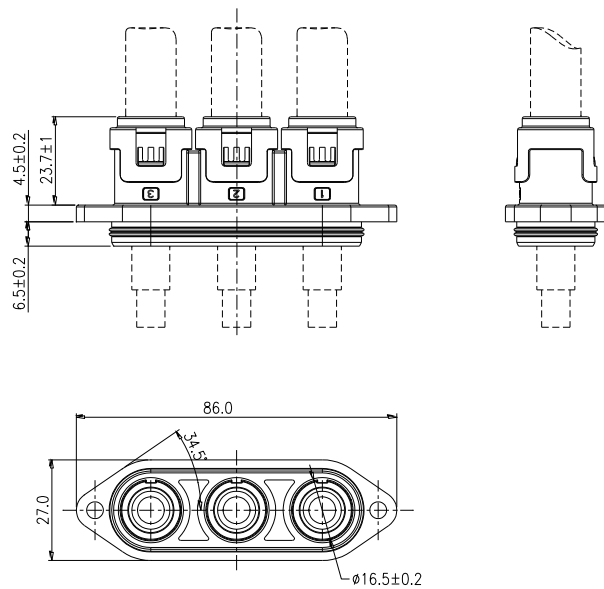
2-Hole dimensions



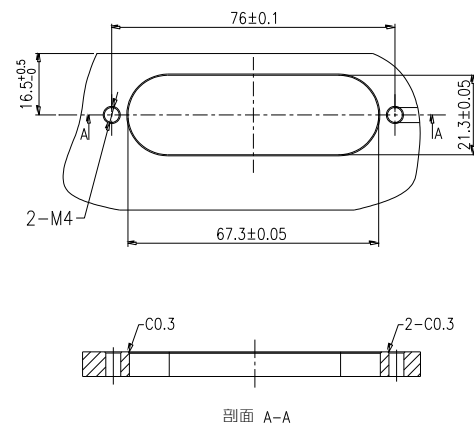
2-Hole Panel Mounting Size



3-Hole Dimensions



3-Hole Panel Mounting Size



ADECT metal type-A through hole connector selection instructions

| | | | | | |
|--|-------|---|---|----|---|
| ADECT through hole connector series | ADECT | 1 | X | XX | X |
| Connector Type: 1= metal; | | | | | |
| Holes: 2 = two holes; 3 = 3 hole; | | | | | |
| Cable mm ² : 16 = 16 mm ² ; 17 = 25 mm ² ; | | | | | |
| Codings: A = code A; B = code B; C = code C ; | | | | | |

ADECT metal type-B through-hole connector (2.5-10 mm² lines)



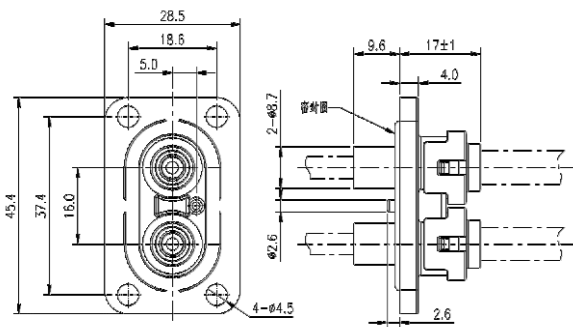
ADECT metal type-B through-hole connector, economical and low cost solution. Suitable for PTC, PDU, DC/DC converter, etc.

Features

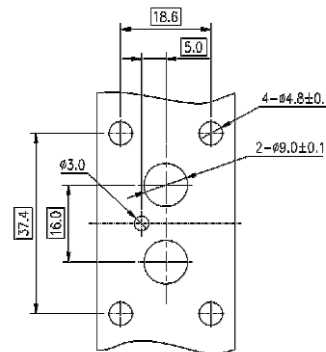
- Aluminum alloy shell, light weight;
- Simple installation, reliable connection;
- IP67 (after installation);
- Excellent shielding effect.

| Technical Specification | |
|------------------------------|---|
| connection Type | Crimp |
| Wire range | 2.5 ~ 6mm ² Shielded wire 2.5 ~ 10mm ² Unshielded wire |
| Current rating | 16A ~ 35A (Shielding) 16A ~ 65A (Unshielding) |
| Voltage rating | 1000V DC |
| Insulation resistance | ≥ 200MΩ (DC 1000V) |
| Dielectric withstand voltage | 3000V AC |
| EMI | 360° Shielding |
| salt spray | 48 hours |
| Degree of protection | IP67 (Mated) |
| Temperature range | -40°C ~ +125°C |
| Shell | Aluminium alloy |
| Flame class | UL94V0 |

2-Hole Dimensions



3-Hole Panel Mounting Size



ADECT metal B-type through-hole connector selection

| | | | | | |
|---|-------|---|---|----|---|
| ADECT through hole connector series | ADECT | 3 | 2 | XX | X |
| Connector Type: 3= Shielded; 5= unshielded; | | | | | |
| Holes : 2-Holes ; | | | | | |
| Cable mm ² : 12 = 2.5 mm ² ; 13 = 4 mm ² ; 14 = 6 mm ² ; 15 = 10 mm ² ; | | | | | |
| Codings: A = code A; B = code B; C = code C ; | | | | | |

ADECT Metal Type A 3 poles through-hole connector



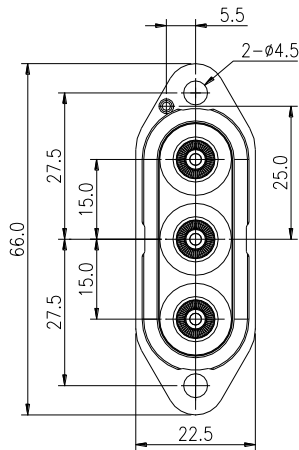
Metal Type-A 3 pole through-hole connector, current up to 16A, crimping 2.5mm² shielded cable, it is A reliable connection solution for electric and hybrid vehicles.

Features

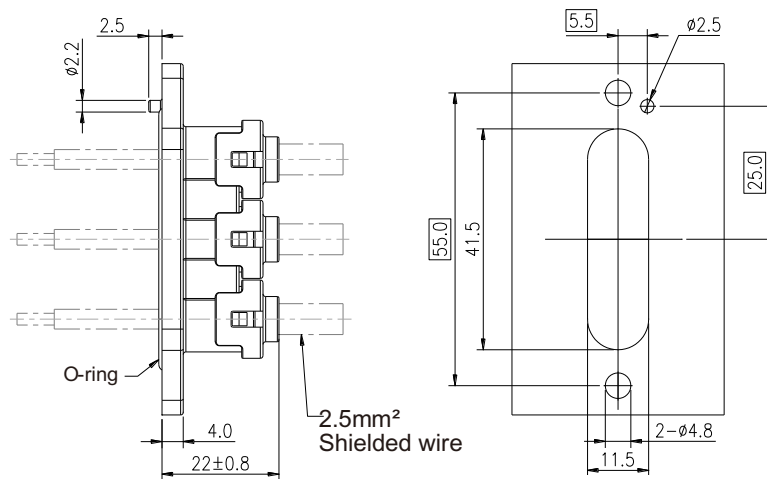
- Aluminum alloy shell;
- Simple installation, reliable connection;
- Protection class IP67 (installation status) ;
- Excellent shielding effect.

| Technical Specification | |
|------------------------------|----------------------------------|
| connection Type | Crimp |
| Wire range | 2.5mm ² Shielded wire |
| Current rating | 16A Max |
| Voltage rating | 1000V DC |
| Insulation resistance | ≥ 200MΩ (DC 1000V) |
| Dielectric withstand voltage | 3000V AC |
| EMI | 360° Shielding |
| salt spray | 48 hours |
| Degree of protection | IP67 (Mated) |
| Temperature range | -40°C ~ +125°C |
| Shell | Aluminium alloy |
| Flame class | UL94V0 |

3-Holes Dimensions



Panel mounting size:



Metal type-A 3 pole through-hole connector

| | | | | | |
|--|-------|---|---|----|---|
| Metal a-Type3 Pin through -hole connector | ADECT | 1 | 3 | 12 | A |
| Connector Type: 1= Metal TYPE A; | | | | | |
| Holes : 3-Holes; | | | | | |
| Cable mm ² : 12=2.5 mm ² | | | | | |
| Codings A = Code A; | | | | | |

ADEHV metal high voltage connector

ADEHV metal high voltage connector (16-35 mm²)



ADEHV metal high voltage connector, the current up to 150A, crimping 16 to 35 mm² cable, is a reliable connection solution for electric and hybrid vehicles.

Features

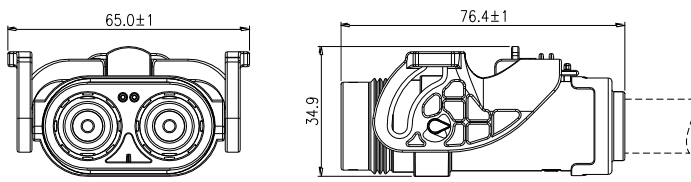
- CPA;
- Built-in integrated HVIL;
- Rated current 150A max;
- Handle lock/unlock;
- IP67 (Mated) ;
- Touch-proof design;
- Three keys are optional;

Technical Specification

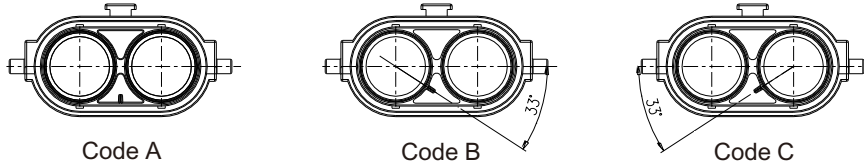
| | |
|------------------------------|--------------------------------------|
| Mating cycle | ≥ 200 Cycles |
| Insertion and removal force | < 100N |
| Wire range | 16 ~ 35mm ² Shielded wire |
| Current rating | 150A Max |
| Voltage rating | 1000V D C |
| Dielectric withstand voltage | 3000V AC |
| Insulation resistance | ≥ 200M Ω (DC1000V) |
| Temperature rise | ≤55 K |
| EMI | 360° Shielding |
| Salt spray | 48 Hous |
| Degree of protection | IP67 (Mated) |
| Temperature range | -40°C ~ +125°C |
| Terminal | Copper alloy silver plated |
| Shell | Aluminum alloy |
| Flame class | UL94 V0 |

ADEHV metal high voltage connector

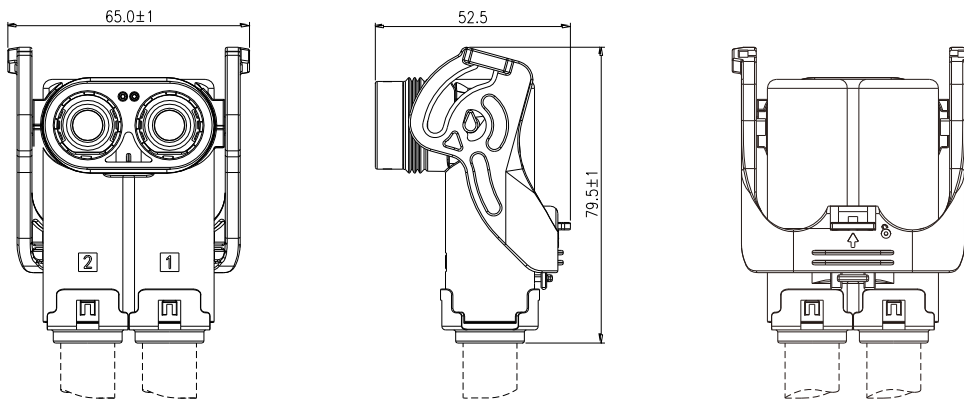
2 pole 180deg plug dimensions



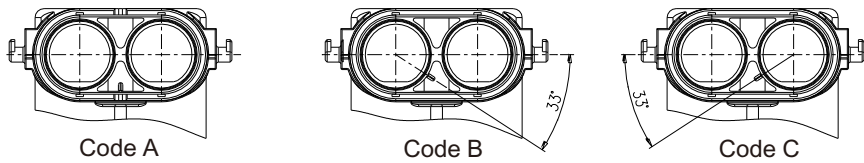
2 pole 180deg plug codings :



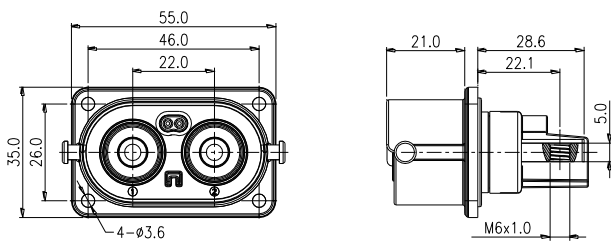
2 pole 90deg plug dimensions



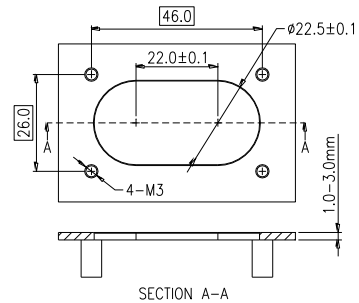
2 pole 90deg plug codings :



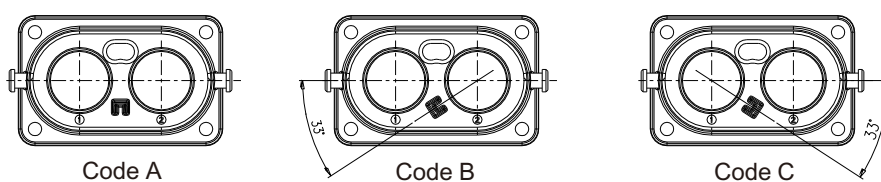
2 pole socket Dimensions:



2 pole socket panel mounting dimensions:

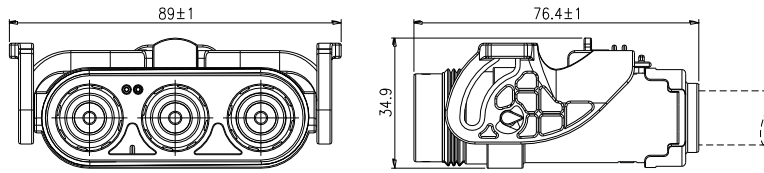


2 pole socket codings :

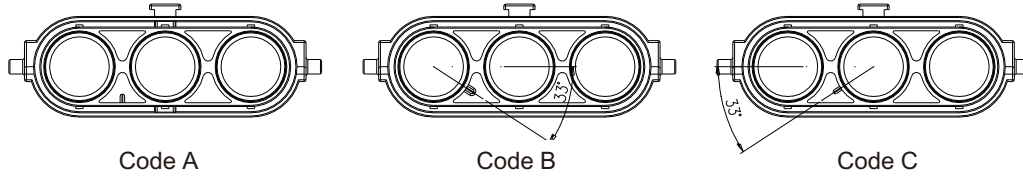


ADEHV metal high voltage connector

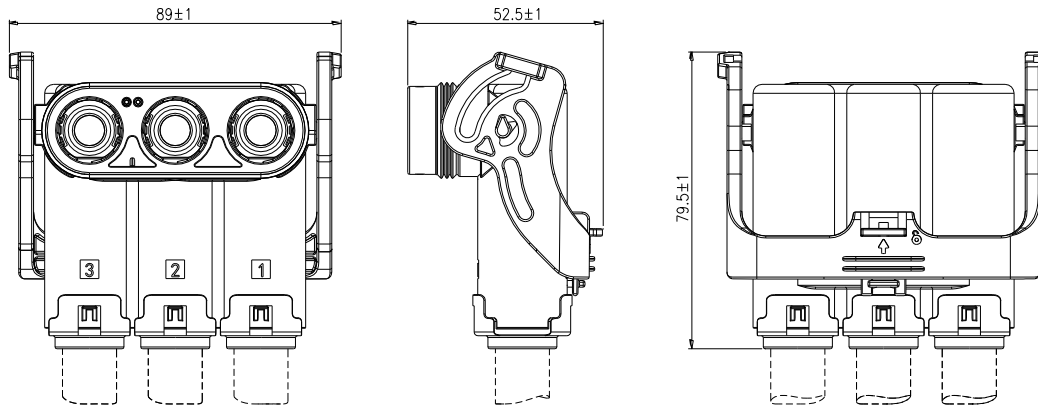
3 pole 180deg plug dimensions



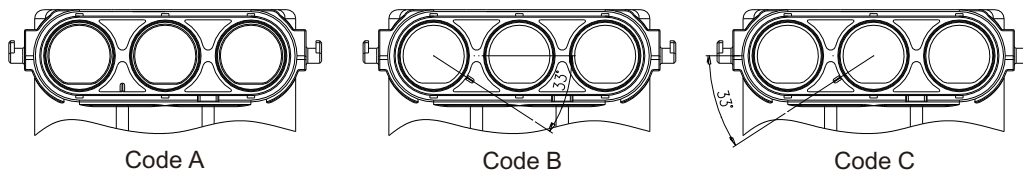
3 pole 180deg plug codings



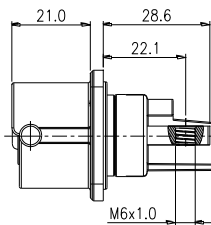
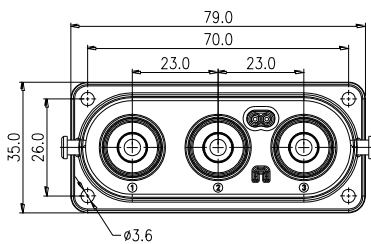
3 pole 90deg plug dimensions



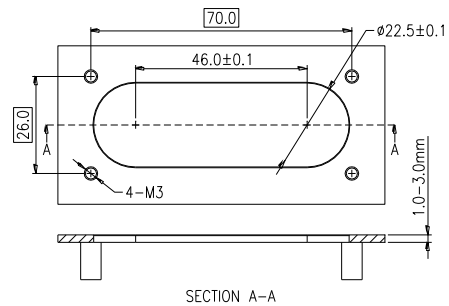
3 pole 90deg plug codings



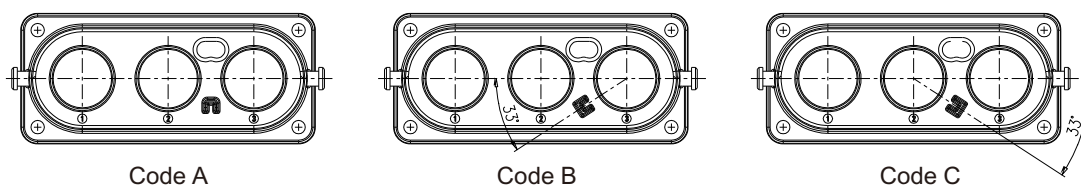
3 pole socket dimensions



3 pole socket panel mounting size:



3 pole socket codings



ADEHV Metal high voltage connector

ADEHV metal high voltage connector selection instructions

| | | | | | | | | | |
|---|-------|---|---|---|---|---|----|----|---|
| ADEHV high voltage connector series | ADEHV | X | 1 | X | X | X | XX | XX | X |
| Pins: 2= 2 Pins; 3 = 3 Pins | | | | | | | | | |
| Shell material: 1 = metal standard Type | | | | | | | | | |
| Plug/Socket Definition: 1= 180deg plug (lock handle); 2= socket (flange); 3=90deg plug (lock handle); 4= Plastic socket (flannel, only 2 pins optional) | | | | | | | | | |
| Interlocking status: L = interlocking; B = without interlocking; | | | | | | | | | |
| Shielding: S = shielding; N = unshielded (plug only); | | | | | | | | | |
| Applicable terminal specifications: 19=6mm; 20 = 8 mm; | | | | | | | | | |
| Tail connection mode (plug refers to cable cross-sectional area, socket refers to tail hole Type) : Plug: 16=16 mm ² ; 17 = 25 mm ² ; 18 = 35 mm ² ; Socket: crimping hole = consistent with plug number; MX=MX copper bar threaded hole; HX = ΦX hole; | | | | | | | | | |
| Codings : A=Code A ; B=Code B ; C=Code C ; | | | | | | | | | |

ADEHV plastic Type-B 2 pole high voltage connector

ADEHV plastic Type-B 2 pole high voltage connector (16-50 mm²)



ADEHV plastic type-B 2 pole high voltage connector, the current up to 200A, crimped 16-50 mm² cable, is a reliable connection solution for electric and hybrid vehicles.

Features

- HVIL (optional);
- Maximum rated current 200A,
- Handle lock/unlock;
- IP67 (Mated)
- Touch-proof design;
- Three keys are optional;

Technical Specification

| Technical Specification | |
|------------------------------|-----------------------------------|
| Mating Cycle | ≥ 200 Cycles |
| Insertion and removal force | < 100N |
| Wire Range | 16 ~ 50mm ² Unshielded |
| Current rating | 200A Max |
| Voltage rating | 1000V DC |
| Dielectric withstand voltage | 3000V AC |
| Insulation resistance | ≥ 200M Ω (DC 1000V) |
| Temperature rise | ≤55 K |
| Salt spray | 48 hours |
| Degree of protection | IP67 (Mated) |
| Temperature range | -40°C ~ +125°C |
| Terminal | Copper alloy ,silver plated |
| Shell | PA66 \ Aluminium alloy |
| Flame class | UL94 V0 |

ADEHV plastic Type-B 2 pole high voltage connector

ADEHV plastic Type-B 2 pole high voltage connector selection instructions

| ADEHV high voltage connector series | ADEHV | 2 | 3 | X | X | N | XX | XX | X |
|--|-------|---|---|---|---|---|----|----|---|
| Pins: 2= 2 Pins; | | | | | | | | | |
| Shell material: 3 = plastic B Type | | | | | | | | | |
| Plug/Socket definition: 1= 180deg plug (lock handle); | | | | | | | | | |
| Interlocking status: L = interlocking; B = without interlocking; | | | | | | | | | |
| Unshielding : N = Unshielded ; | | | | | | | | | |
| Applicable terminal specifications: 19=6mm; 20 = 8 mm; | | | | | | | | | |
| Tail connection mode (plug refers to cable cross-sectional area, socket refers to tail hole Type) : Plug: 16=16 mm ² ; 17 = 25 mm ² ; 18 = 35 mm ² ; 19 = 50 mm ² | | | | | | | | | |
| Codings : A=Code A ; B=Code B ; C=Code C ; | | | | | | | | | |

※ Corresponding socket selection: ADEHV metal 2 Pin socket. Please consult our sales staff for details.

ADEHV metal High voltage connector

ADEHV metal High voltage connector (35-50 mm²)



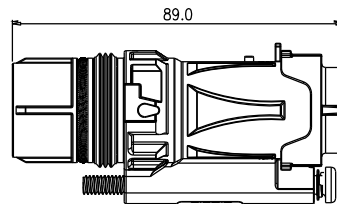
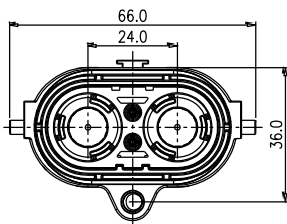
ADEHV metal high voltage connector, the current up to 200A, crimping 35 to 50mm² cable, is a reliable connection solution for electric and Hybrid vehicle

Features

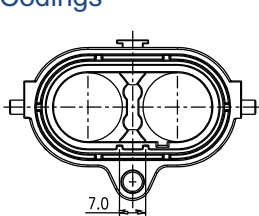
- Built-in integrated HVIL;
- Maximum rated current 200A;
- Bolt locking/unlocking;
- IP67 (Mated);
- Touch-proof design;
- Three keys are optional;

| Technical Specification | |
|------------------------------|--------------------------------------|
| Mating cycle | ≥ 200 Cycles |
| Insertion and removal force | < 100N |
| Wire range | 35 ~ 50mm ² Shielded wire |
| Current rating | 200A Max |
| Voltage rating | 1000V D C |
| Dielectric withstand voltage | 3000V AC |
| Insulation resistance | ≥ 200M Ω (DC1000V) |
| Temperature rise | ≤55 K |
| EMI | 360° Shielding |
| Salt spray | 48 Hous |
| Degree of protection | IP67 (Mated) |
| Temperature range | -40°C ~ +125°C |
| Terminal | Copper alloy silver plated |
| Shell | Aluminum alloy |
| Flame class | UL94 V0 |

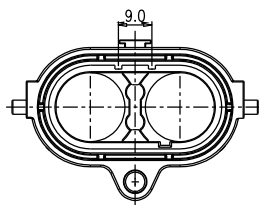
plug Dimensions:



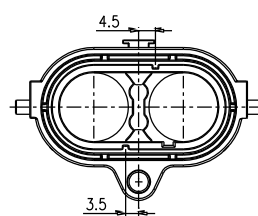
Codings



Code A



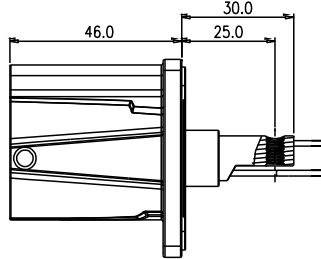
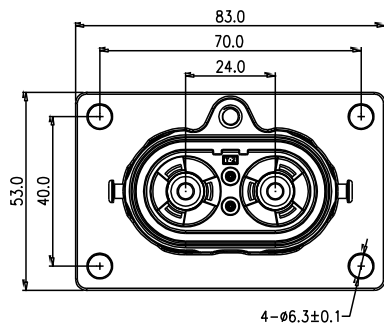
Code B



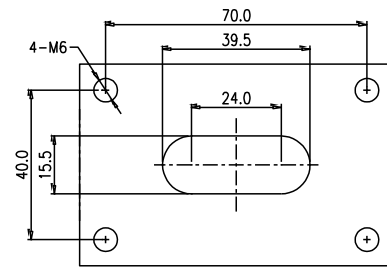
Code C

ADEHV metal High voltage connector

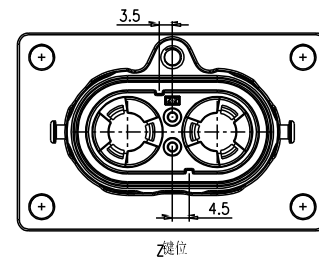
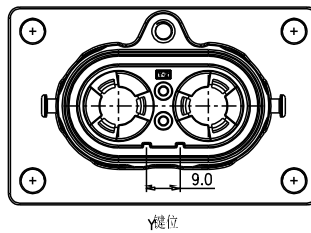
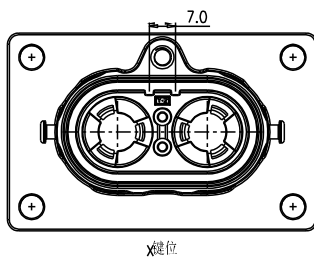
Socket Dimensions:



Panel mounting size



Codings:

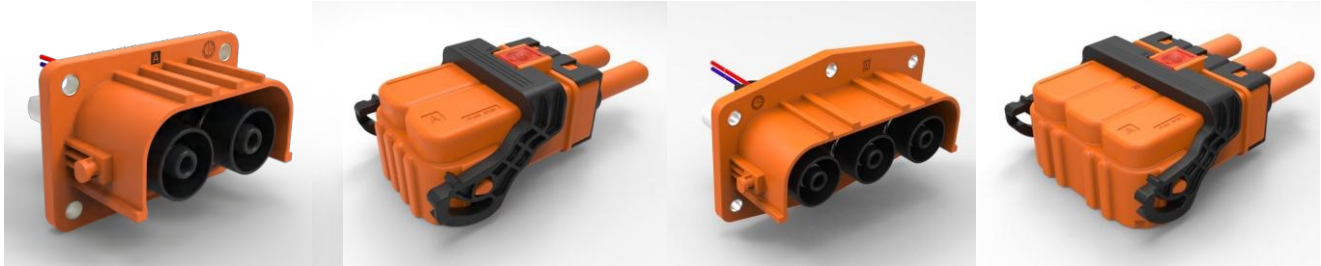


ADEHV metal high voltage connector selection instructions

| | | | | | | | | | |
|---|-------|---|---|---|---|---|----|----|---|
| ADEHV high voltage connector series | ADEHV | 2 | 1 | X | X | X | XX | XX | X |
| Pins: 2=2 pins; | | | | | | | | | |
| Shell material: 1 = metal standard Type; | | | | | | | | | |
| Plug /Socket Definition: 2= socket (flange); 5= 180deg plug (bolt locking); | | | | | | | | | |
| Interlocking status: L = interlocking; B = without interlocking; | | | | | | | | | |
| Shielding: S = shielding; N = unshielded (plug only); | | | | | | | | | |
| Applicable terminal specifications: 22=10mm; | | | | | | | | | |
| Tail connection mode (plug refers to cable cross-sectional area, socket refers to tail hole Type): Plug: 18=35 mm ² ; 19 = 50 mm ² ; Socket: crimping hole = consistent with plug number; MX=MX copper bar threaded hole; HX = ΦX hole; | | | | | | | | | |
| Codings : : X=Code X ; Y=Code Y ; Z=Code Z ; | | | | | | | | | |

ADEHV plastic high voltage connector

ADEHV plastic type-A high voltage connector (35-50 mm²)



ADEHV plastic A type high voltage connector, the product is vehicle mounted high voltage inter-lock connector, rated current up to 150A-200A, crimping 35 to 50 mm² cable, is suitable for motor controller, PDU, battery and other equipment strong current connection of reliable solution.

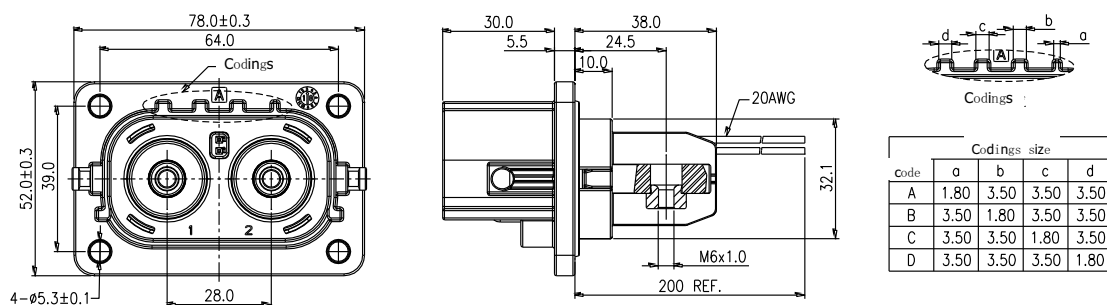
Features

- CPA
- Built-in integrated HVIL;
- Maximum rated current 200A;
- Handle lock/unlock;
- IP67(Mated);
- Touch-proof design;
- Four anti-misinsertion keys are optional;

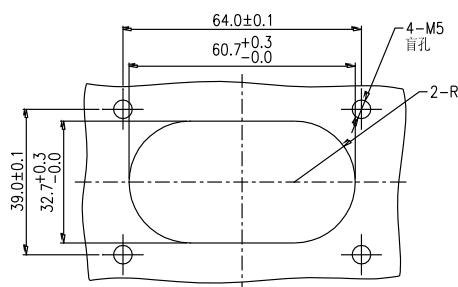
Technical Specification

| | |
|------------------------------|---------------------------------------|
| Mating Cycle | ≥ 200 Cycles |
| Insertion and removal force | < 100N |
| Wire Range | 35 ~ 50mm ² Shielding wire |
| Current rating | 150A ~ 200A |
| Voltage rating | 1000V DC |
| Dielectric withstand voltage | 3000V AC |
| Insulation resistance | ≥200 MΩ (DC1000V) |
| Temperature rise | ≤55 K |
| EMI | 360 ° Shielding |
| Salt spray | 48 hours |
| Degree of protection | IP67 (Mated) |
| Temperature range | -40°C ~ 125°C |
| Terminal | Coppo alloy , silver plated |
| Shell | PA66 |
| Flame class | UL94V0 |

socket Dimensions:

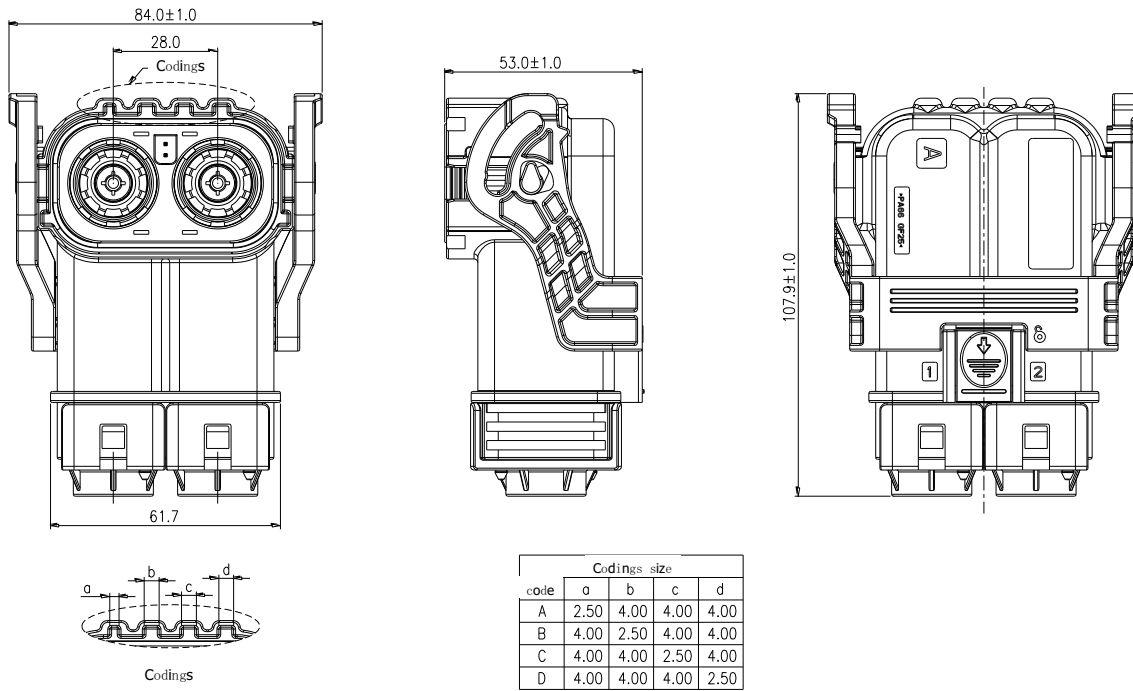


Panel mounting size:

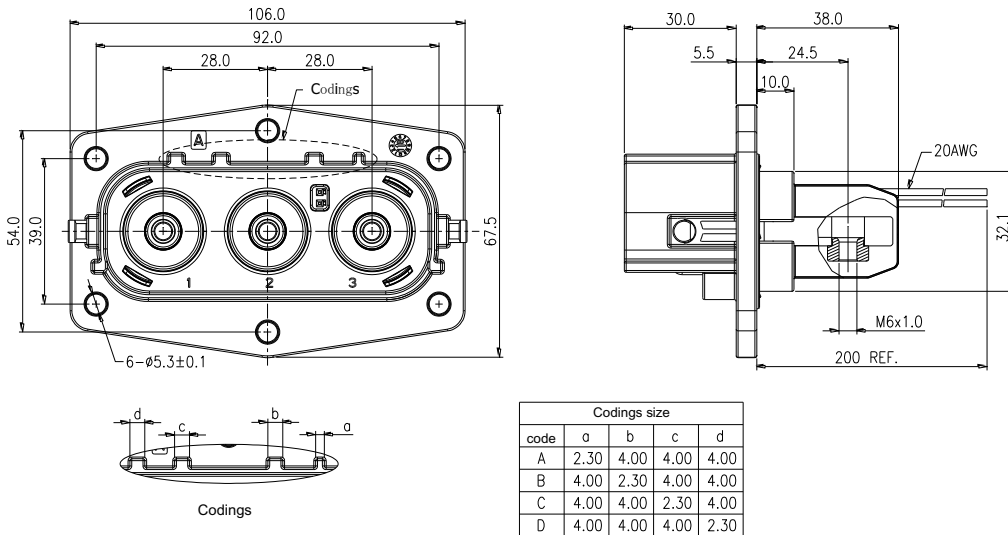


ADEHV plastic type-A high voltage connector

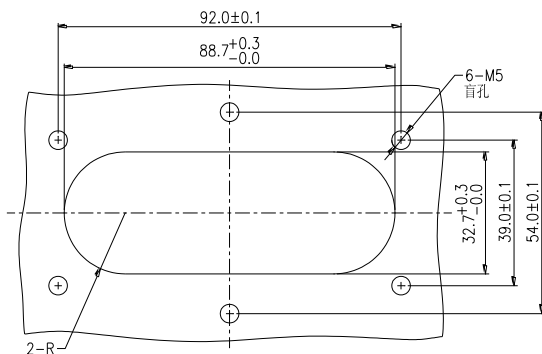
2 pole 90deg plug dimensions:



3 poles socket dimensions:

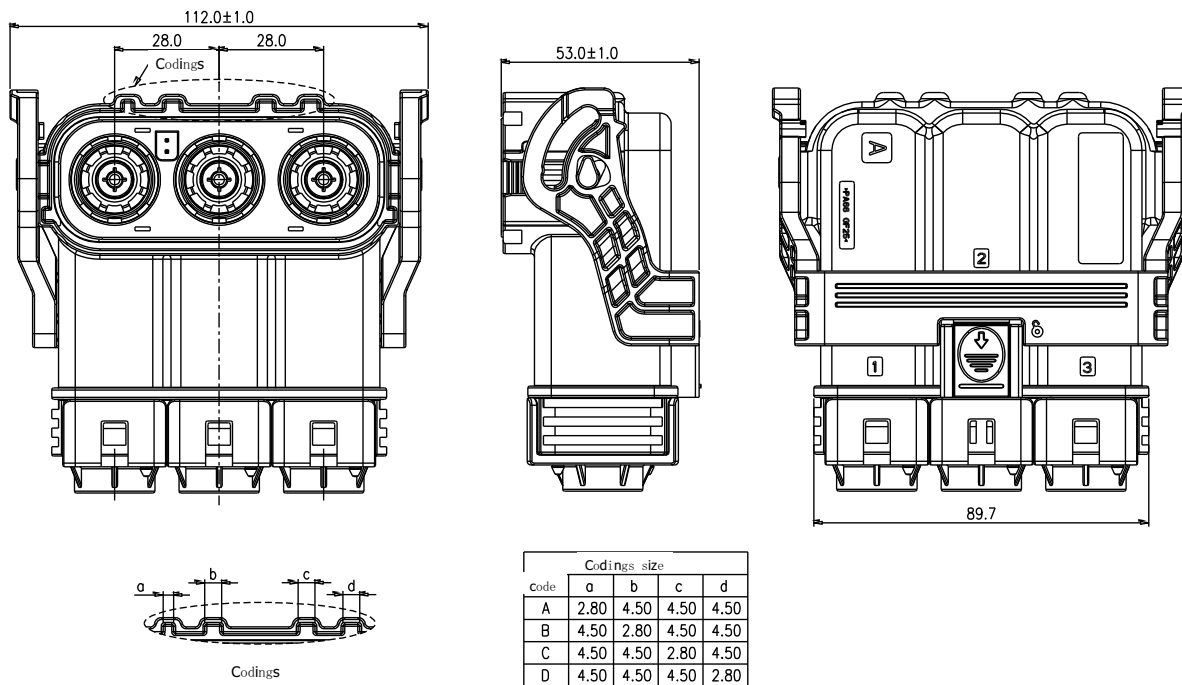


3 poles panel mounting size:



ADEHV plastic type-A high voltage connector

3 Pin 90deg plug dimensions



ADEHV plastic A-Type high voltage connector selection instructions

| ADEHV high voltage connector series | ADEHV | X | 2 | X | X | X | XX | XX | X |
|---|-------|---|---|---|---|---|----|----|---|
| Pins: 2= 2pins ; 3 =3pins | | | | | | | | | |
| Shell material: 2 = plastic TYPE A; | | | | | | | | | |
| Plug / Socket Definition: 2= socket (flange); 3= bend plug (handle lock); | | | | | | | | | |
| Interlocking status: L = interlocking; B = without interlocking; | | | | | | | | | |
| Shielding: S = shielding; N = without shielding; | | | | | | | | | |
| Applicable terminal specifications: 22=10mm; | | | | | | | | | |
| Tail connection mode (plug refers to cable cross-sectional area, socket refers to tail hole Type) : | | | | | | | | | |
| Plug: 18=35 mm ² ; 19 = 50 mm ² ; | | | | | | | | | |
| Socket: crimping hole = consistent with plug number; MX=MX copper bar threaded hole; | | | | | | | | | |
| HX = ΦX hole; BX=BX copper thread hole; | | | | | | | | | |
| Codings : A= Code A ; B =Code B; C =Code C; D=Code D; | | | | | | | | | |

ADEHP metal single core high voltage connector

ADEHP metal single core high voltage connector



ADEHP metal single-core high-voltage connectors are-vehicle mounted high voltage interlocking connectors with rated current up to 120A to 180A and crimp 25 to 50 mm² cables. They are reliable solutions for strong current connection of motor controllers, pduc, and batteries.

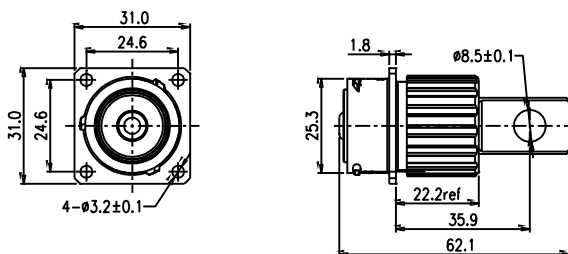
Features

- Maximum rated current 180A;
- Blind bayonet locking;
- IP67 (Mated);
- Touch-proof design;
- Five keys are optional;

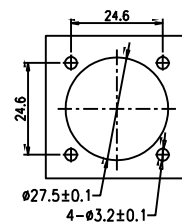
Technical Specification

| | |
|------------------------------|--------------------------------------|
| Mating cycle | ≥ 200 Cycles |
| Insertion and removal force | < 100N |
| Wire range | 25 ~ 50mm ² Shielded wire |
| Current rating | 120 ~ 180A |
| Voltage rating | 800V DC |
| Dielectric withstand voltage | 3000V AC |
| Insulation resistance | ≥ 200M Ω (DC1000V) |
| Temperature rise | ≤55 K |
| EMI | 360°Shielding |
| Salt spray | 48 Hours |
| Degree of protection | IP67 (Mated) |
| Temperature range | -40°C ~ +125°C |
| Terminal | Copper alloy silver plated |
| Shell | Aluminum alloy |
| Flame class | UL94V0 |

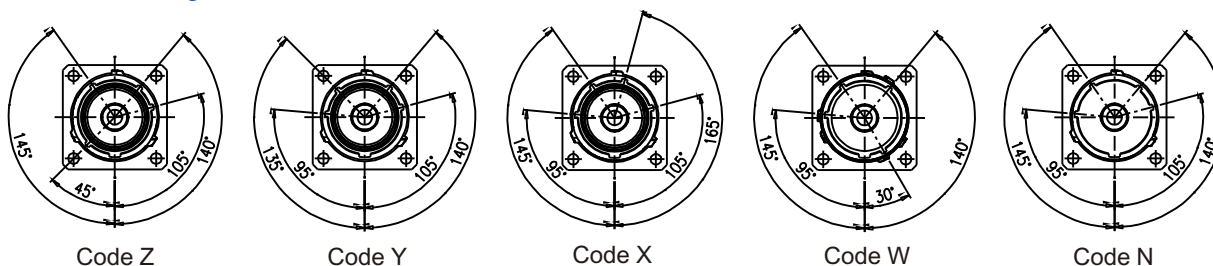
socket dimensions:



Panel mounting dimensions

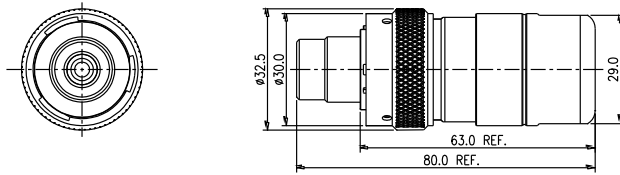


Socket codings

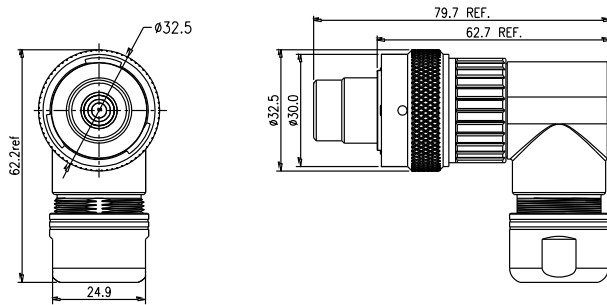


ADEHP metal single core high voltage connector

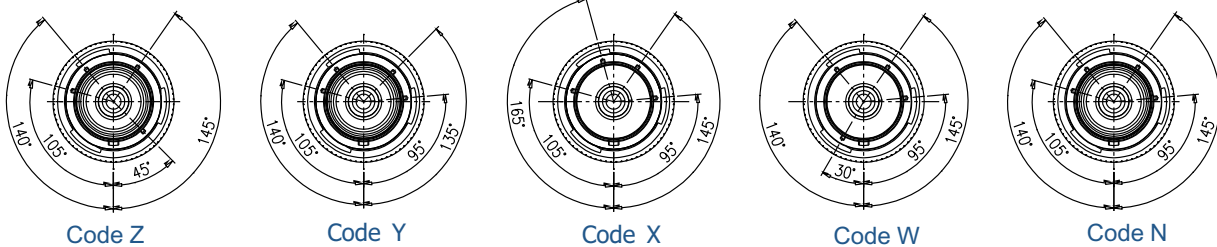
180deg Plug dimensions:



90deg plug dimensions:



Plug codings



EHP metal single core high voltage connector selection instructions

| | | | | | | | | | |
|--|-----|---|---|---|---|---|----|----|---|
| EHP high voltage connector series | EHP | 1 | 1 | X | B | X | XX | XX | X |
| cores: 1= single core; | | | | | | | | | |
| Shell material: 1 = metal; | | | | | | | | | |
| Plug / Socket Definition: 1= 180deg plug; 2= socket (flange); 3=90deg plug; | | | | | | | | | |
| Interlocking condition: B = no interlocking; | | | | | | | | | |
| Shielding: S = shielding; N = unshielded (plug only); | | | | | | | | | |
| Applicable terminal specifications: 20=8mm; | | | | | | | | | |
| Tail connection mode (plug refers to cable cross-sectional area, socket refers to tail hole Type) : Plug: 17=25 mm ² ; 18 = 35 mm ² ; 19=50 mm ² (direct plug only optional); Socket: MX=MX copper bar threaded hole; HX = ΦX hole; | | | | | | | | | |
| Codings : N=Code N ; W=Code W ; X=Code X ; Y=Code Y ; Z=Code Z ; | | | | | | | | | |

ADEBC 4+2+1+13



ADEBC 4+2+1+13 battery swap connector

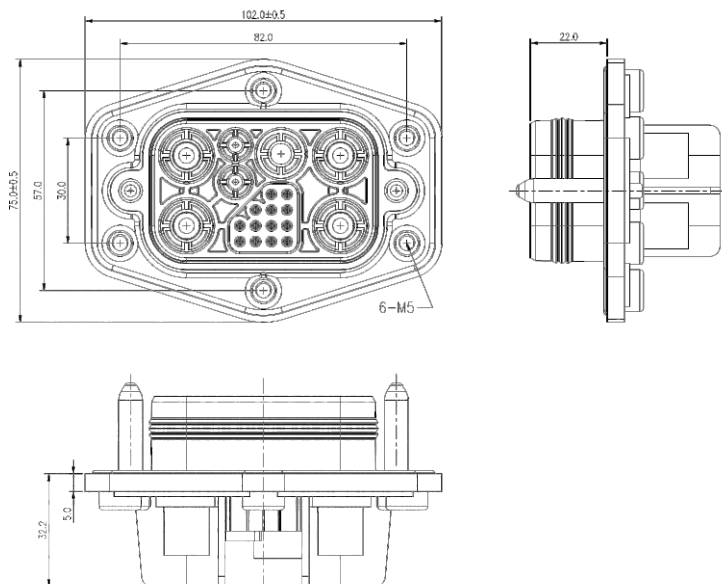
ADEBC 4+2+1+13 battery connector, the power terminal is designed as 2 pairs, single pairs terminal current is rated to 200A, and the highest rated current of 350A can be met through combined parallel connection. The low-voltage auxiliary power supply can be rated at 50A. Support up to 13 signal contact, can be combined in any combination according to customer needs to meet the needs of energy storage systems. Provide stable power and good signal transmission between equipment modules. Crimp termination is easy for installation and maintenance.

Features

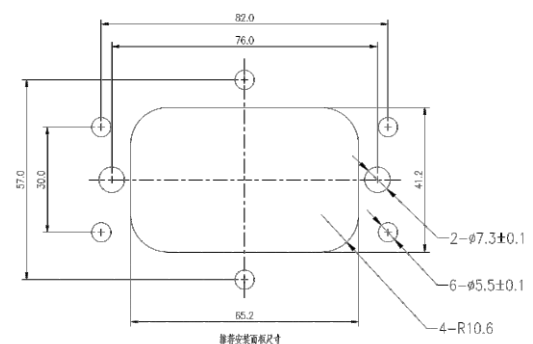
- Up to 200A (single pair), 350A (double pair)
- Touch proof
- Self floating and deviation
- Self-alignment
- Customized terminal termination

| Technical Specification | |
|-------------------------|---|
| Mating cycle | ≥ 100 |
| Cable size | Power pin: 35-50mm ² Signal pin: 0.35-0.8mm ² Low voltage aux: 4mm ² |
| Rated current | 200A (single pair) 350A(double pair) |
| Rated voltage | 1500V DC |
| Withstand voltage | 4000V AC(power pin) |
| Salt spray | 48 hours |
| Operation temperature | IP67(mated) |
| IP rating | -40°C to +125°C |
| Terminal | Copper alloy, silver plating |
| Housing | High strength plastic |
| Flammability | UL94V0 |

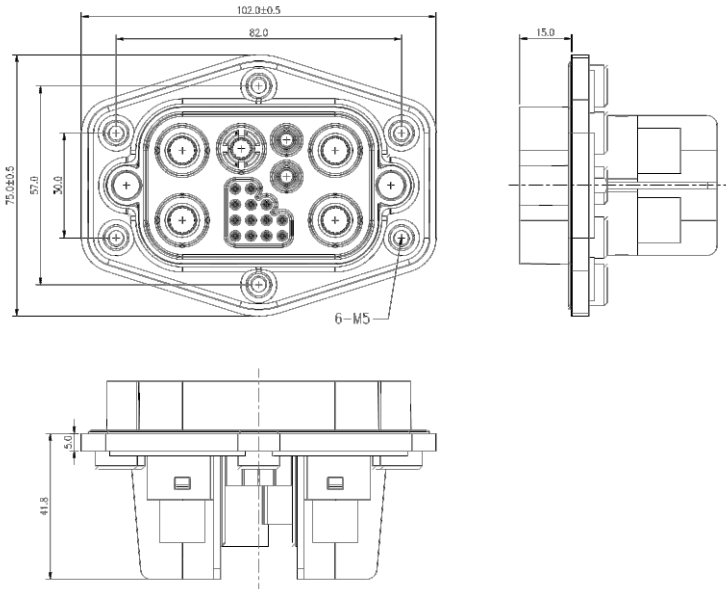
Battery swap connector plug dimension



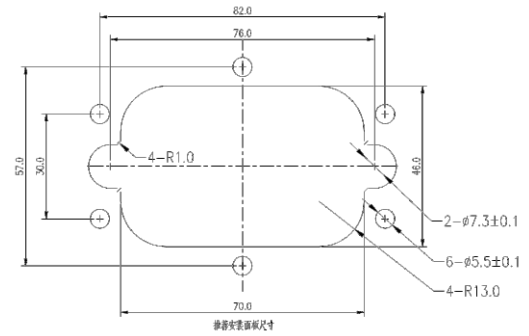
Battery swap connector receptacle dimension



Battery swap connector panel mounting dimension



Battery swap connector panel mounting dimension



ADEBC 4+2+1+13 ordering code

| | | | | | | | |
|---|-------|---|---|------|----|----|---|
| ADEBC battery swap connector | ADEBC | 1 | X | 4113 | 20 | XX | X |
| Type: 1=plastic | | | | | | | |
| Definition: 4=plug(back panel), 5= straight receptacle (back panel) | | | | | | | |
| Terminal: 4113=4+1+13 (power, ground, signal) | | | | | | | |
| Terminal size: 20=8mm (only to Power pin) | | | | | | | |
| Termination (plug means cable size, receptacle means thread size) Plug: 17=25mm ² ; 18=35mm ² ; 19=35mm ² (only apply to power pin) MX=MX thread size(M6, M8) Receptacle: refer to plug ordering code | | | | | | | |
| Low voltage aux, A=A type(none), B=B type(low voltage aux 1pin), C=C type (low voltage aux 2 pins) | | | | | | | |

ADEBC 2+1+12 battery swap connector



ADEBC 4+2+1+13 battery swap connector

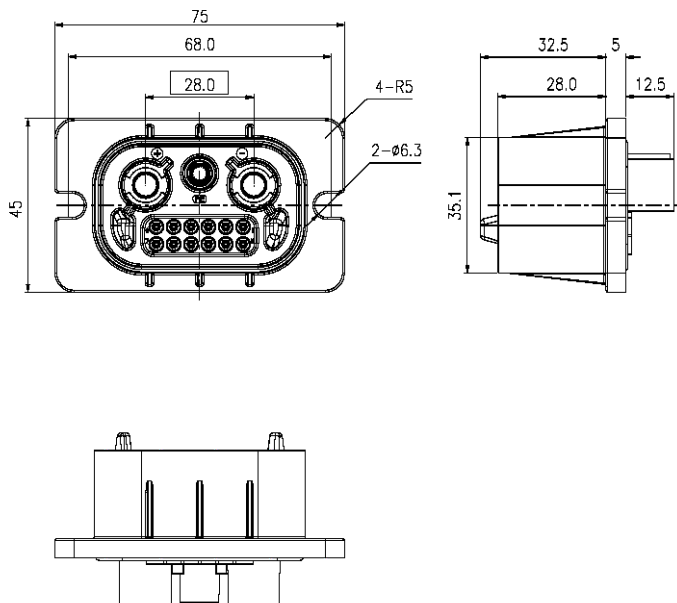
ADEBC 2+1+12 battery connector, rated to 120A, with up to 12 signal terminals, meets the need of home energy storage systems, provide stable current and good signal transmission between equipment modules. Crimp termination is easy for installation and maintenance.

Features

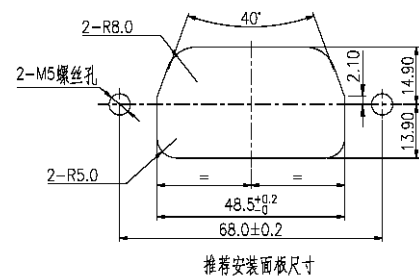
- Up to 120A
- Touch proof
- Self floating and deviation
- Self-alignment
- Customized terminal termination

| Technical Specification | |
|-------------------------|-----------------------------------|
| Mating cycle | ≥3000 |
| Cable size | 6mm ² unshielded cable |
| Rated current | 50A |
| Rated voltage | 1000V DC |
| Withstand voltage | 3000V AC(power pin) |
| Salt spray | 48 hours |
| Insulation resistance | 3000V AC (power pin) |
| IP rating | IP67(mated) |
| Operation temperature | -40°C to +125°C |
| Terminal | Copper alloy, silver plating |
| Housing | High strength plastic PA66 |
| Flammability | UL94V0 |

Battery swap connector plug dimension

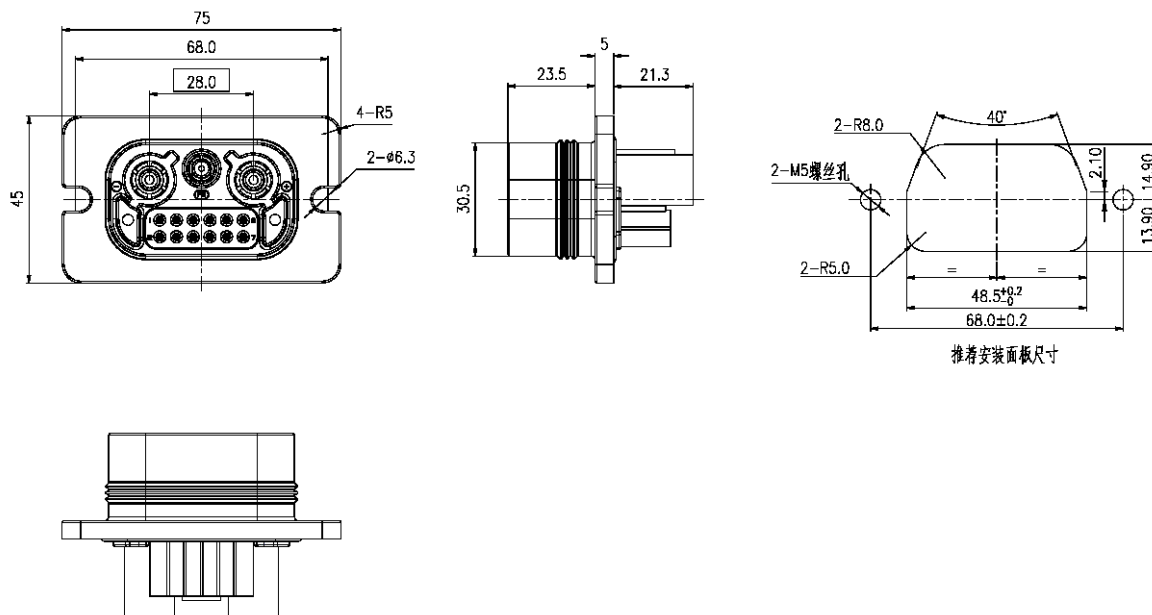


Battery swap connector receptacle dimension



ADEBC 2+1+12 ordering code

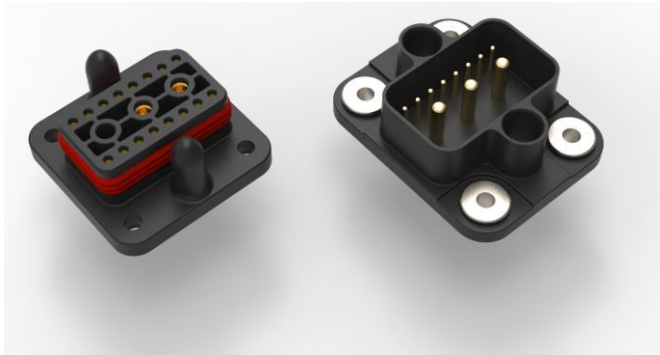
ADEBC 2+1+12 ordering code



ADEBC battery swap connector

| | | | | | | | |
|---|-------|---|---|------|----|----|---|
| ADEBC battery swap connector | ADEBC | 1 | X | 2112 | 19 | XX | X |
| Type: 1=plastic | | | | | | | |
| Definition: 1=plug(front panel), 2= straight receptacle (front panel) | | | | | | | |
| Terminal: 2112=2+1+12 (power, ground, signal) | | | | | | | |
| Terminal size: 20=8mm (only to Power pin) | | | | | | | |
| Termination (plug means cable size, receptacle means thread size) Plug: 15=10mm ² ; 16=16mm ² ; 17=25mm ² (only apply to power pin) MX=MX thread size(M6, M8) Receptacle: refer to plug ordering code | | | | | | | |
| Touch proof keyway: A=A type | | | | | | | |

ADEBC 2+8 battery swap connector



ADEBC 4+2+1+13 battery swap connector

ADEBC 2+8 battery swap connector, support reversible insert, with floating X/Y \pm 1.5mm, with crimp termination, rated at 50A, support up to 8 signal terminals, provide stable current and good signal transmission between equipment modules, with guiding pin, perfect solution for home energy storage system.

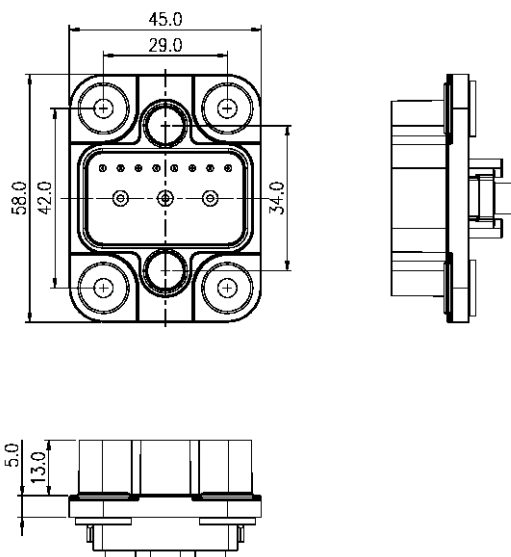
Features

- Support reversible insert
- Up to 50A
- Floating X/Y \pm 1.5mm
- IP67 rating(mated)

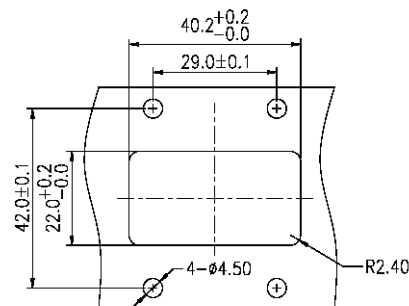
Technical Specification

| | |
|-----------------------|--|
| Mating cycle | ≥ 500 |
| Cable size | Power pin: 10-25mm ² Signal pin: 0.35-0.8mm ² |
| Rated current | 120A |
| Rated voltage | 1000V DC |
| Withstand voltage | 3000V AC(power pin) |
| Salt spray | 48 hours |
| IP rating | IP67(mated) |
| Operation temperature | -40°C to +125°C |
| Terminal | Copper alloy, silver plating |
| Housing | High strength plastic |
| Flammability | UL94V0 |

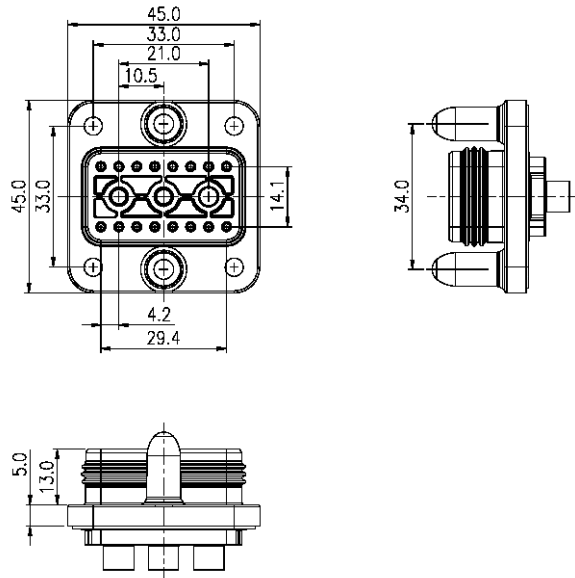
Battery swap connector plug dimension



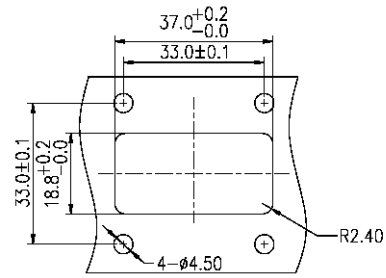
Battery swap connector receptacle dimension



ADEBC 2+1+12 ordering code



ADEBC 2+1+12 ordering code



ADEBC 2+8 ordering code

| | | | | | | | |
|---|-------|---|---|------|----|----|---|
| ADEBC battery swap connector | ADEBC | 1 | X | 2008 | 17 | 14 | X |
| Type: 1=plastic | | | | | | | |
| Definition: 1=plug(front panel), 2= straight receptacle (front panel) | | | | | | | |
| Terminal: 2008=2+0+08 (power, ground, signal) | | | | | | | |
| Terminal size: 17=3.6mm (only to Power pin) | | | | | | | |
| Termination (plug means cable size, receptacle means thread size) Plug: 14=6mm ² Receptacle: refer to plug ordering code | | | | | | | |
| Touch proof keyway: A=A type | | | | | | | |



All Data Subject to Change Without Notice
2023-04-18 DS-FULL REV 02

ACDRA Corporation
JW iConnect Technology Co., Ltd.
www.acdracorp.com

Global Design Mindset

Global Production Expansion